

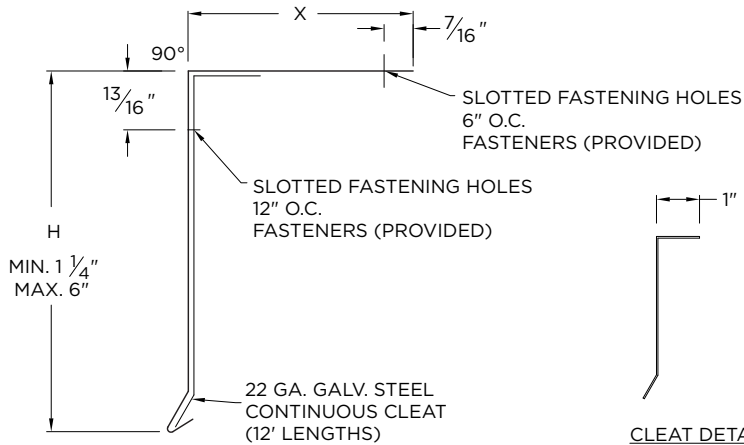


DRIP EDGE WITH CONTINUOUS CLEAT

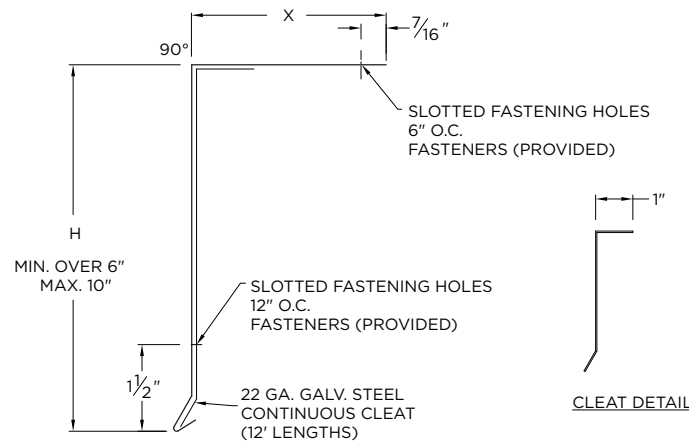
NOTES

- Includes concealed splice plates that must be field caulked to prevent water entry
- Unless otherwise noted, fabrication of miters and accessories are furnished standard utilizing a non-penetrating quicklock joint, then factory sealed watertight.
- Welded accessories require a minimum material thickness of .050"
- For non 90-degree angle, see separate print approval
- For non-90 miters, see separate print approval
- Product should be installed per provided installation instructions
- ANSI/SPRI/FM 4435/ES-1 Test Pressure up to 282 psf

FACE HEIGHT 6" OR LESS



FACE HEIGHT OVER 6"



APPROVALS

ANSI/SPRI/FM 4435/ES-1
Test Pressures listed in notes

PROJECT INFO

Project Name: _____

Architect: _____

Roofing Contractor: _____

Project Type: _____

By selecting this box you have verified and confirmed that dimensions, sizes, and quantities are correct. All products will be installed in strict accordance with printed instructions.

Date: _____

Mule-Hide Products
1195 Prince Hall Drive
Beloit, WI 53511
800-786-1492
www.mulehide.com

To submit a quote request, please contact your local TM or email mhquotes@metalera.com.

SHT# _____ of _____

DATE: **03/21/ 24**

DRN BY: **JJC**

CKD BY: **MM**

DWG #: 52010-42309

REV: **A**

DIMENSIONS

_____ (H) Face Height (inches-Max 10")

_____ (X) Flange Size (inches)

MATERIAL

- 24 Ga. Galv. Steel
 22 Ga. Galv. Steel
 .040" Aluminum
 .050" Aluminum
 .063" Aluminum
 OTHER: _____

Color: _____

Finish: _____

Substrate: Wood
 Masonry
 Metal
If substrate is not given, wood fasteners will be provided.

QUANTITIES

_____ Lineal Feet (12'-0" Lengths)

_____ Outside Miter (90°)

_____ Inside Miter (90°)

Accessory Type:

- Quicklock (Default)
 Welded (Surcharge)