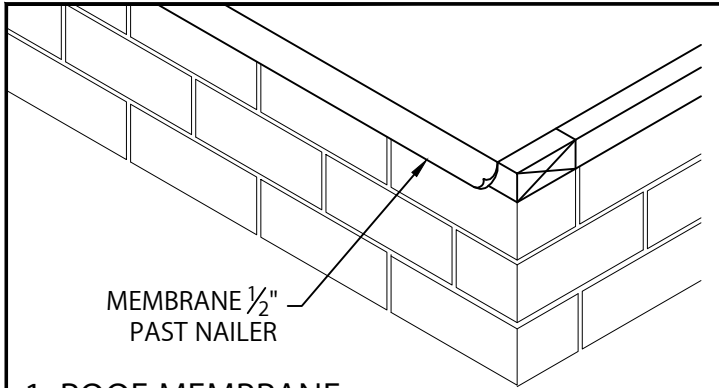


DRIP EDGE

TPO OR PVC VERSION WITH CONTINUOUS CLEAT

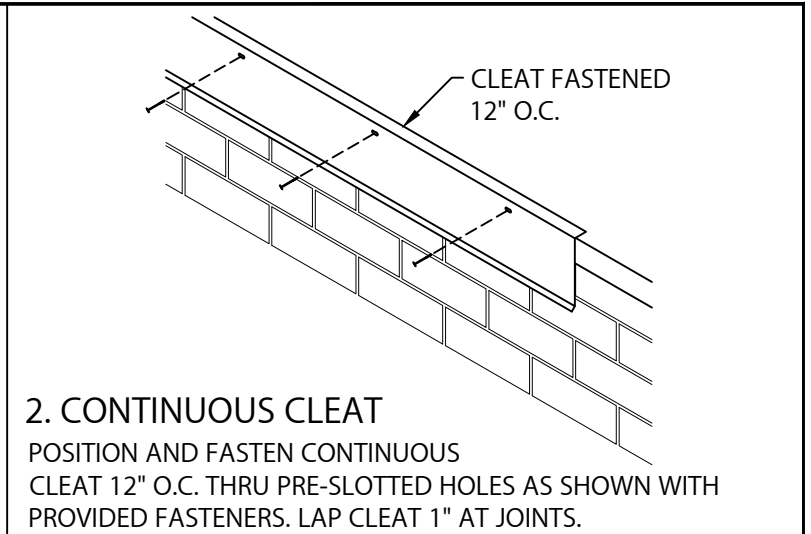
INSTALLATION INSTRUCTIONS

NOTE: INSTALL MITERS FIRST



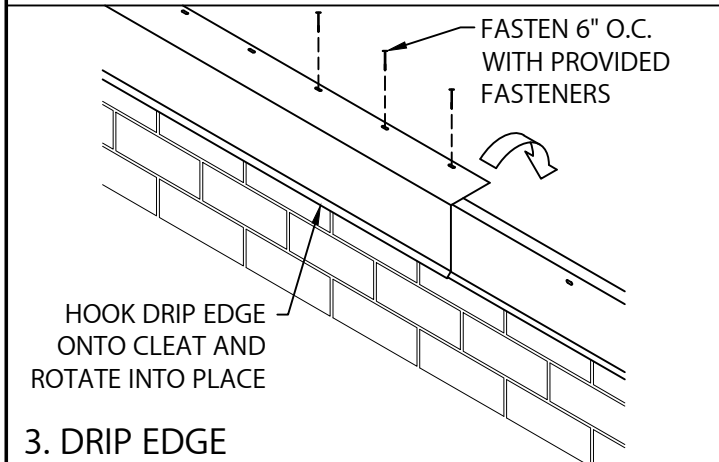
1. ROOF MEMBRANE

POSITION MEMBRANE OVER THE ROOF EDGE AND DOWN OUTSIDE FACE OF WALL, COVERING WOOD NAILER(S) COMPLETELY. ALLOW $\frac{1}{2}$ " EXCESS MEMBRANE.



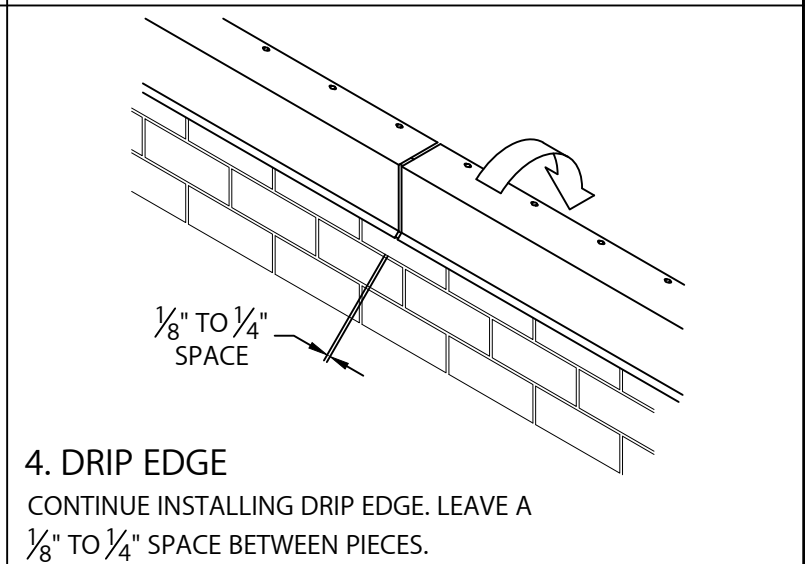
2. CONTINUOUS CLEAT

POSITION AND FASTEN CONTINUOUS CLEAT 12" O.C. THRU PRE-SLOTTED HOLES AS SHOWN WITH PROVIDED FASTENERS. LAP CLEAT 1" AT JOINTS.



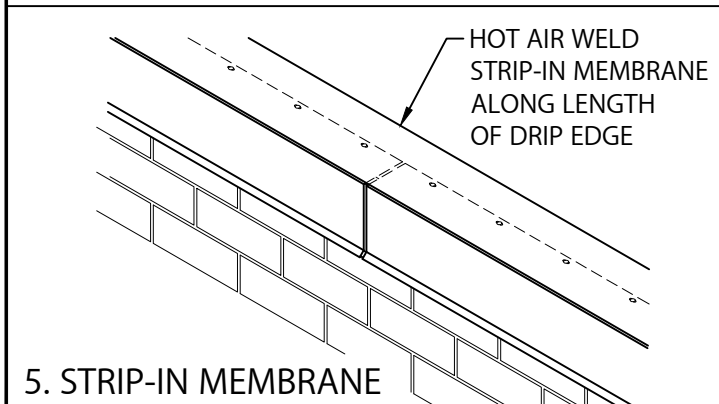
3. DRIP EDGE

HOOK DRIP EDGE OF EACH DRIP EDGE SECTION ONTO CONTINUOUS CLEAT, ROTATE INTO PLACE. FASTEN THRU PRE-SLOTTED HOLES 6" WITH PROVIDED FASTENERS.



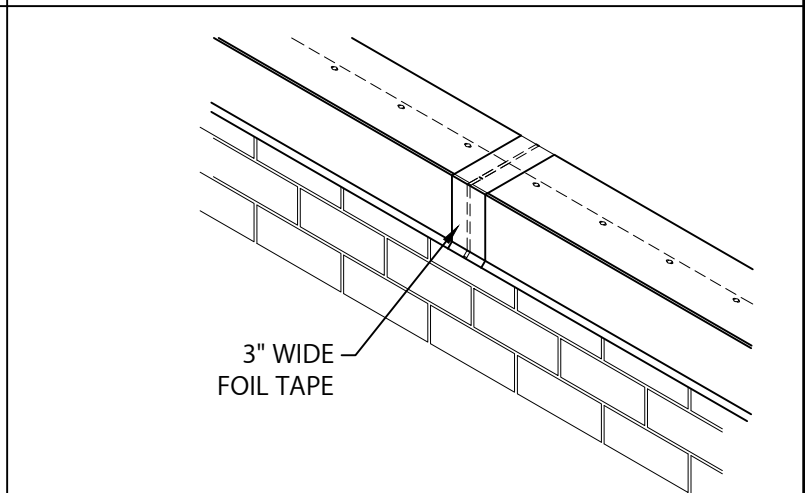
4. DRIP EDGE

CONTINUE INSTALLING DRIP EDGE. LEAVE A $\frac{1}{8}$ " TO $\frac{1}{4}$ " SPACE BETWEEN PIECES.



5. STRIP-IN MEMBRANE

HOT AIR WELD STRIP-IN MEMBRANE ALONG ENTIRE LENGTH OF DRIP EDGE PER MANUFACTURERS INSTRUCTIONS.



6. FOIL TAPE AT JOINT

PLACE A 3" WIDE PIECE OF FOIL TAPE OVER JOINT.



1195 PRINCE HALL DRIVE
BELIOT, WI 53511
800-786-1492
WWW.MULEHIDE.COM

DATE: 03/25/24
DRN BY: MLM
CKD BY: MM

SHT.# 1 OF 2
DWG# 52110-42591

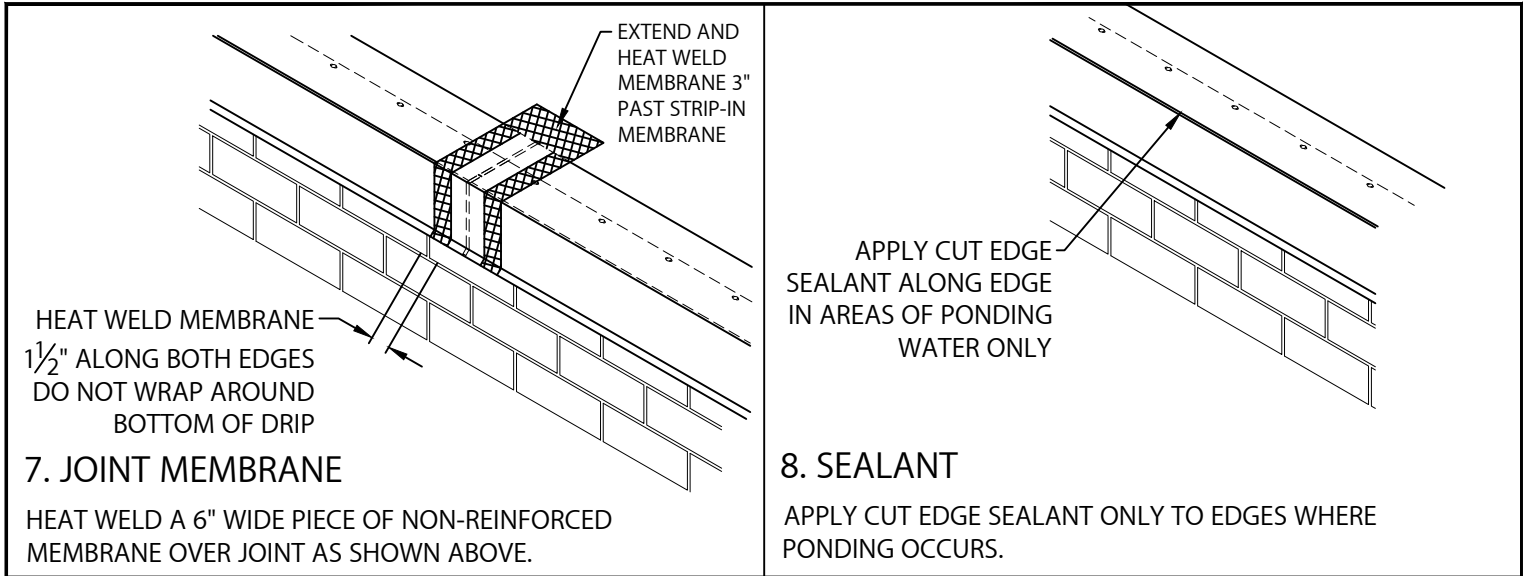
A

DRIP EDGE

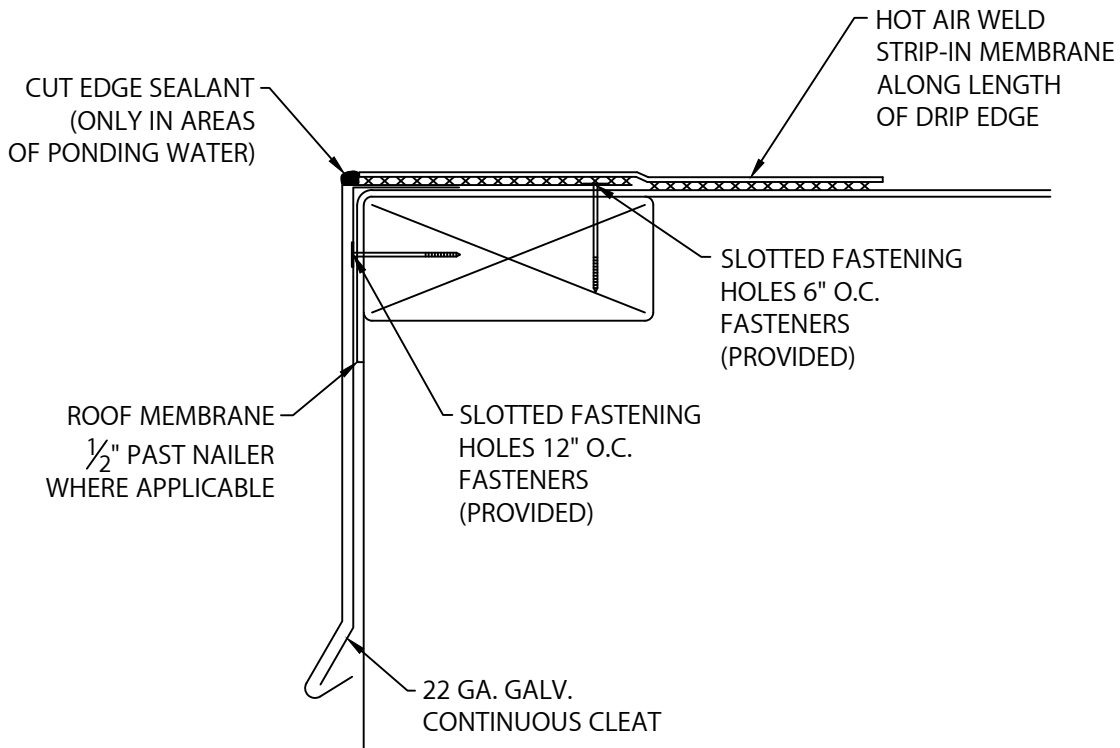
TPO OR PVC VERSION WITH CONTINUOUS CLEAT

NOTE: INSTALL MITERS FIRST

INSTALLATION INSTRUCTIONS



TYPICAL INSTALLATION



1195 PRINCE HALL DRIVE
BELIOT, WI 53511
800-786-1492
WWW.MULEHIDE.COM

DATE: 03/25/24
DRN BY: MLM
CKD BY: MM

SHT.# 2 OF 2

DWG# 52110-42591

A