

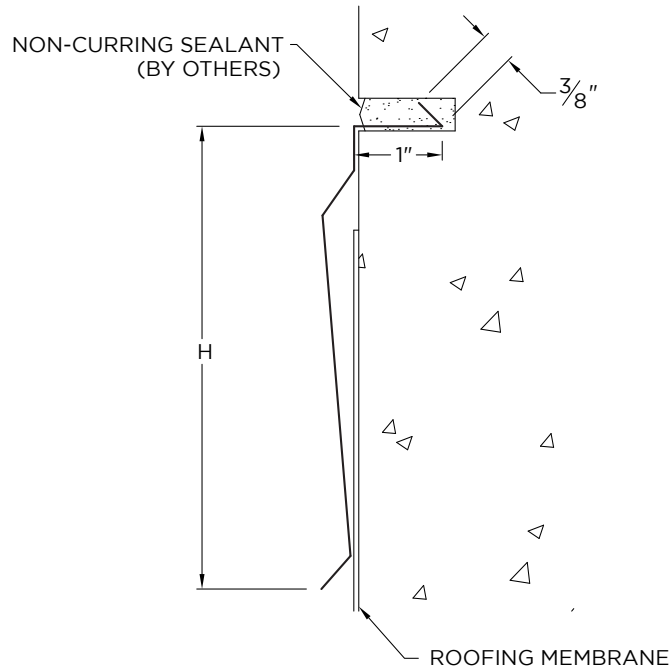


COUNTERFLASHING

1-PIECE REGLET

NOTES

- Pre-Notched Lap Joints
- No Fasteners Provided



PROJECT INFO

Project Name: _____

Architect: _____

Roofing Contractor: _____

Project Type:

By selecting this box you have verified and confirmed that dimensions, sizes, and quantities are correct. All products will be installed in strict accordance with printed instructions.

Date: _____

SHT# _____ of _____

DATE: **03/21/24**

DRN BY: **JJC**

CKD BY: **MM**

DWG #: **52015-42343**

REV: **A**

Mule-Hide Products
 1195 Prince Hall Drive
 Beloit, WI 53511
 800-786-1492
 www.mulehide.com
 To submit a quote request, please contact your local TM or email mhquotes@metalera.com.

DIMENSIONS

Face Height (H)

3.75" (CFR-375)

5.25" (CFR-525)

MATERIAL

24 Ga. Galv. Steel

Color: _____

22 Ga. Galv. Steel

Finish: _____

.040" Aluminum

.050" Aluminum

.063" Aluminum

OTHER: _____

QUANTITIES

_____ Lineal Feet (12'-0" Lengths)