



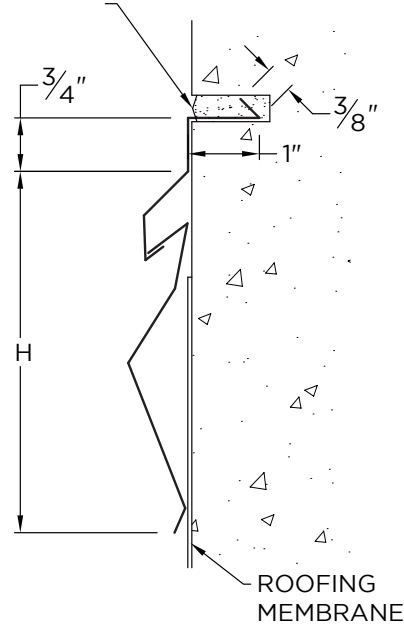
COUNTERFLASHING

2-PIECE REGLET

NOTES

- Pre-Notched Lap Joints
- No Fasteners Provided

NON-CURING SEALANT
(BY OTHERS)



PROJECT INFO

Project Name: _____

Architect: _____

Roofing Contractor: _____

Project Type: _____

By selecting this box you have verified and confirmed that dimensions, sizes, and quantities are correct. All products will be installed in strict accordance with printed instructions.

Date: _____

Mule-Hide Products
1195 Prince Hall Drive
Beloit, WI 53511
800-786-1492
www.mulehide.com
To submit a quote request, please contact your local TM or email mhquotes@metalera.com.

SHT# _____ of _____

DATE: **03/21/24**

DRN BY: **JJC**

CKD BY: **MM**

DWG #: 52015-42345

REV: **A**

DIMENSIONS

Face Height (H)

- 3.5" (CFR2-350R)
- 4" (CFR2-400R)
- 5" (CFR2-500R)

MATERIAL

- 24 Ga. Galv. Steel
- 22 Ga. Galv. Steel
- .040" Aluminum
- .050" Aluminum

Color: _____

Finish: _____

OTHER: _____

QUANTITIES

_____ Lineal Feet (12'-0" Lengths)