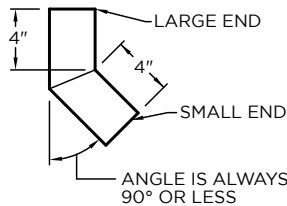
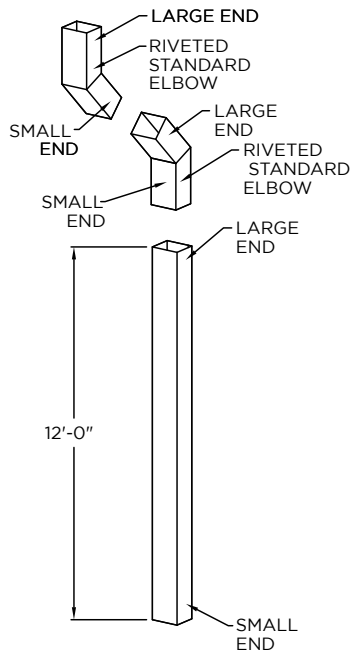
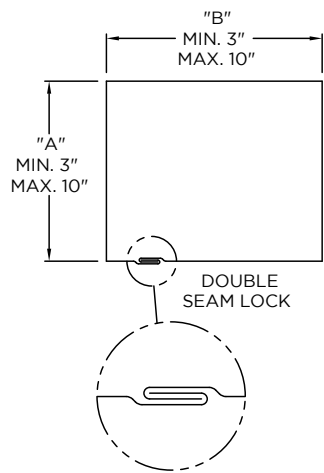




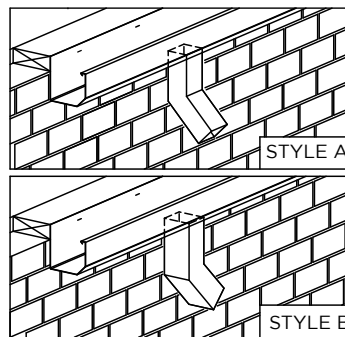
DOWNSPOUT CLOSED FACE

NOTES

- Downspout should be 9/16" smaller than the bottom of the gutter
- Outlet should be 1/8" smaller than the size of the downspout
- Product should be installed per provided installation instructions

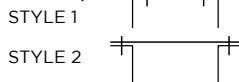


STANDARD ELBOW



DOWNSPOUT STRAPS

(SELECT STYLE BELOW, IF STYLE IS NOT SELECTED STYLE 2 WILL BE PROVIDED)



DIMENSIONS

Downspout Size _____ x _____
"A" "B"

MATERIAL

- 24 Ga. Galv. Steel
- 22 Ga. Galv. Steel
- .040" Aluminum
- .050" Aluminum
- .063" Aluminum
- OTHER: _____

Color: _____

Finish: _____

PROJECT INFO

Project Name: _____

Architect: _____

Roofing Contractor: _____

Project Type:

By selecting this box you have verified and confirmed that dimensions, sizes, and quantities are correct. All products will be installed in strict accordance with printed instructions.

Date: _____

Mule-Hide Products
1195 Prince Hall Drive
Beloit, WI 53511
800-786-1492
www.mulehide.com
To submit a quote request, please contact your local TM or email mhquotes@metalera.com.

SHT# _____ of _____

DATE: **03/21/24**

DRN BY: **JJC**

CKD BY: **MM**

DWG #: 52013-42338

REV: **A**

QUANTITIES

_____ Lineal Feet (12'-0" Lengths)

_____ Outlets

_____ Standard Elbows (____°) Style A Style B

_____ Standard Elbows (____°) Style A Style B

Downspout Straps Style 1 Style 2