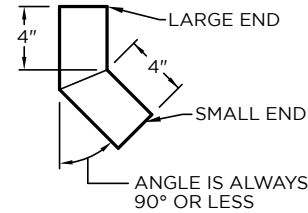
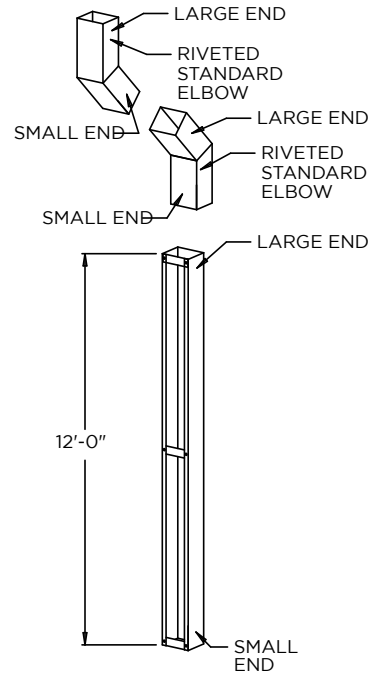
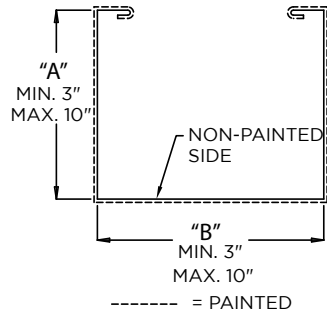




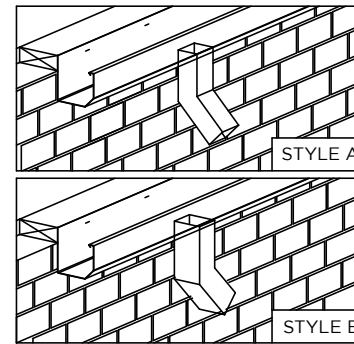
# DOWNSPOUT OPEN FACE

## NOTES

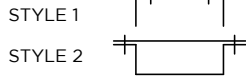
- Downspout should be 9/16" smaller than the bottom of the gutter
- Outlet should be 1/8" smaller than the size of the downspout
- Product should be installed per provided installation instructions



STANDARD ELBOW



**DOWNSPOUT STRAPS**  
(SELECT STYLE BELOW, IF STYLE IS NOT SELECTED STYLE 2 WILL BE PROVIDED)



## PROJECT INFO

Project Name: \_\_\_\_\_

Architect: \_\_\_\_\_

Roofing Contractor: \_\_\_\_\_

**Project Type:**

By selecting this box you have verified and confirmed that dimensions, sizes, and quantities are correct. All products will be installed in strict accordance with printed instructions.

SHT# \_\_\_\_\_ of \_\_\_\_\_

DATE: **03/21/24**

Date: \_\_\_\_\_

**Mule-Hide Products**  
1195 Prince Hall Drive  
Beloit, WI 53511  
800-786-1492  
www.mulehide.com  
To submit a quote request, please contact your local TM or email mhquotes@metalera.com.

DRN BY: **JJC**

CKD BY: **MM**

DWG #: 52013-42339

REV: **A**

## DIMENSIONS

Downspout Size \_\_\_\_\_ x \_\_\_\_\_  
"A" "B"

## MATERIAL

- 24 Ga. Galv. Steel
- 22 Ga. Galv. Steel
- .040" Aluminum
- .050" Aluminum
- .063" Aluminum
- OTHER: \_\_\_\_\_

Color: \_\_\_\_\_

Finish: \_\_\_\_\_

## QUANTITIES

\_\_\_\_\_ Lineal Feet (12'-0" Lengths)

\_\_\_\_\_ Outlets

\_\_\_\_\_ Standard Elbows (\_\_\_\_°)  Style A  Style B

\_\_\_\_\_ Standard Elbows (\_\_\_\_°)  Style A  Style B

Downspout Straps  Style 1  Style 2