

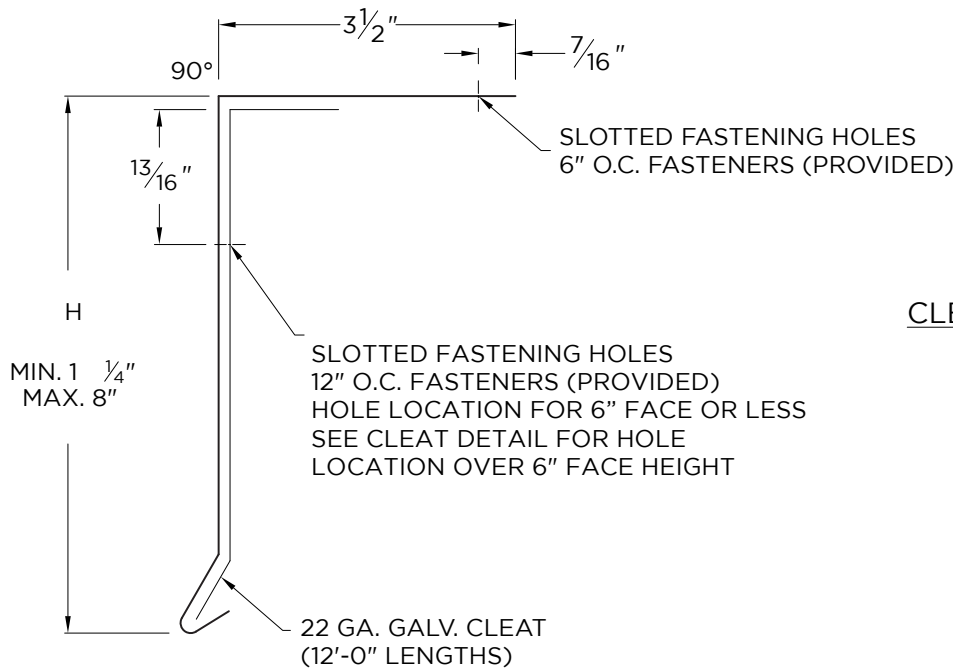


# DRIP EDGE

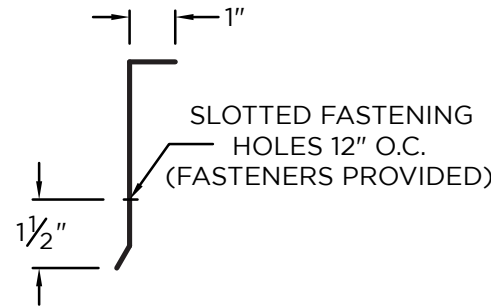
TPO COATED

## NOTES

- All cleats provided in 12'-0" lengths
- All covers provided in 12'-0" lengths
- No lap notches or splice plates provided
- For non-90 miters, see separate print approval
- Product should be installed per provided installation instructions
- ANSI/SPRI/FM 4435/ES-1 Test Pressure up to 282 psf



### CLEAT DETAIL OVER 6" FACE HEIGHT



## APPROVALS

**ANSI/SPRI/FM 4435/ES-1**  
Test Pressures listed in notes

## PROJECT INFO

Project Name: \_\_\_\_\_

Architect: \_\_\_\_\_

Roofing Contractor: \_\_\_\_\_

### Project Type:

By selecting this box you have verified and confirmed that dimensions, sizes, and quantities are correct. All products will be installed in strict accordance with printed instructions.

Date: \_\_\_\_\_

**Mule-Hide Products**  
1195 Prince Hall Drive  
Beloit, WI 53511  
800-786-1492  
www.mulehide.com

To submit a quote request, please contact your local TM or email [mhquotes@metalera.com](mailto:mhquotes@metalera.com).

SHT# \_\_\_\_\_ of \_\_\_\_\_

DATE: **03/21/ 24**

DRN BY: **JJC**

CKD BY: **MM**

DWG #: 52010-42311

REV: **A**

## DIMENSIONS

Choose Face Height Size (H Dimension)

- 3"
- 4"
- 6"
- OTHER (MIN: 1.25" MAX: 8"): \_\_\_\_\_

## MATERIAL

24 ga. Galv Steel TPO Coated

**Color:** White

**Substrate:**  Wood

Masonry

Metal

If substrate is not given, wood fasteners will be provided.

## QUANTITIES

\_\_\_\_\_ Lineal Feet (12'-0" Lengths)

\_\_\_\_\_ Outside Miter (90°)

\_\_\_\_\_ Inside Miter (90°)