

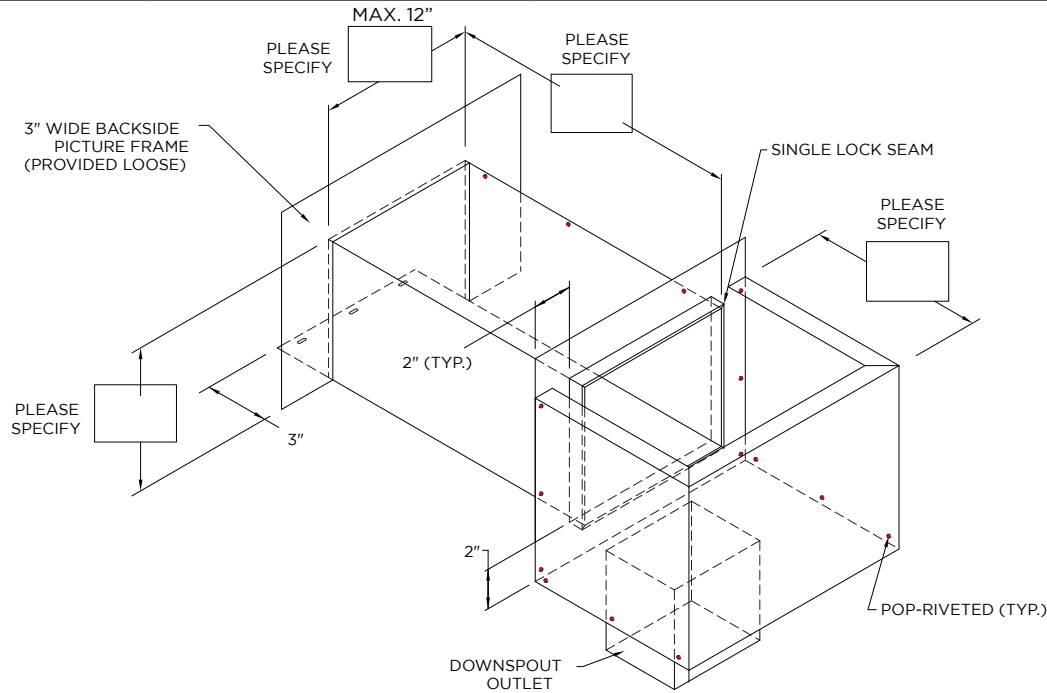


# THRU-WALL SCUPPER WITH COLLECTOR BOX

## STYLE 1-POP-RIVETED, RAISED COLLECTOR BOX

### NOTES

- Product should be installed per provided installation instructions



### PROJECT INFO

Project Name: \_\_\_\_\_

Architect: \_\_\_\_\_

Roofing Contractor: \_\_\_\_\_

#### Project Type:

By selecting this box you have verified and confirmed that dimensions, sizes, and quantities are correct. All products will be installed in strict accordance with printed instructions.

Date: \_\_\_\_\_

**Mule-Hide Products**  
 1195 Prince Hall Drive  
 Beloit, WI 53511  
 800-786-1492  
 www.mulehide.com

To submit a quote request, please contact your local TM or email [mhquotes@metalera.com](mailto:mhquotes@metalera.com).

SHT# \_\_\_\_\_ of \_\_\_\_\_

DATE: **03/21/24**

DRN BY: **JJC**

CKD BY: **MM**

DWG #: **52018-42356**

REV: **A**

### DIMENSIONS

PLEASE FILL OUT DIMENSIONS ON DRAWING

### MATERIAL

- 24 Ga. Galv. Steel      Color: \_\_\_\_\_
- .040" Aluminum      Finish: \_\_\_\_\_
- .050" Aluminum
- OTHER: \_\_\_\_\_

### QUANTITIES

\_\_\_\_\_ Amount Required

Downspout Size \_\_\_\_\_ x \_\_\_\_\_