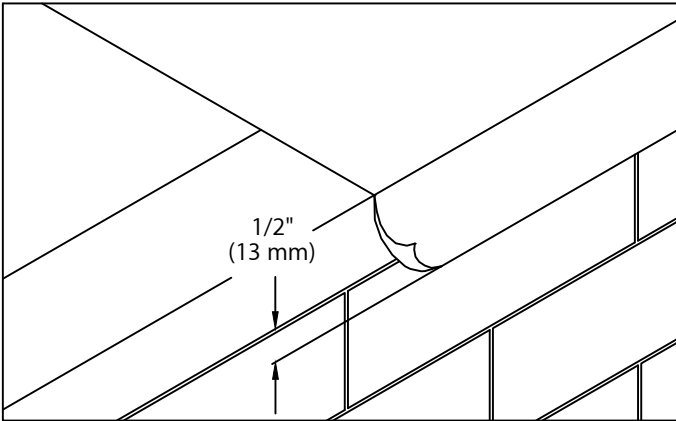


4" FASCIA COVER

ONE SLOT VERSION

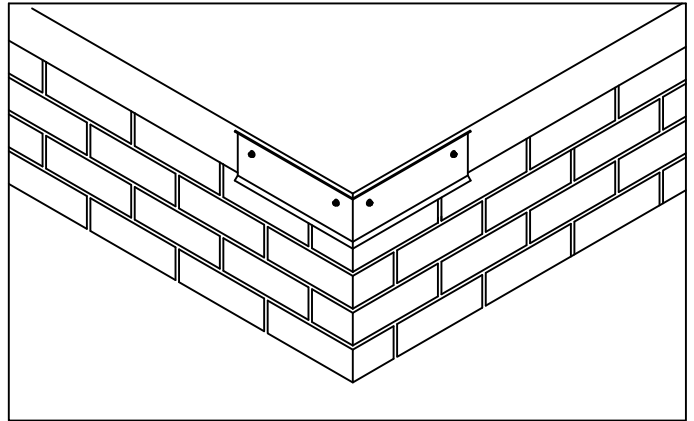
INSTALLATION INSTRUCTIONS



1. Roofing Membrane

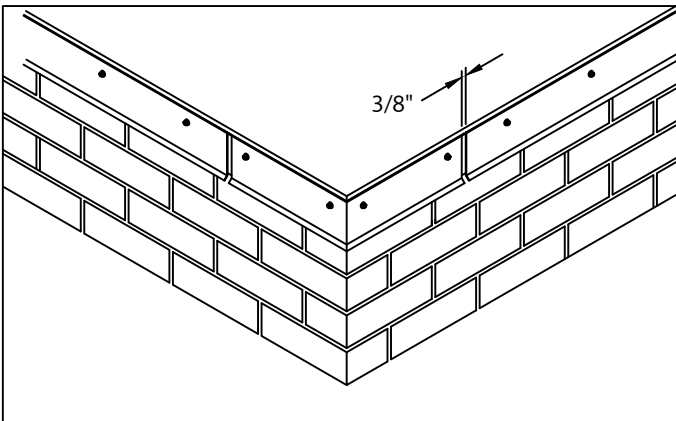
Position membrane over the roof edge and down outside face of wall, covering treated wood nailer(s) completely. Allow 1/2" excess membrane.

IMPORTANT! Outside edge of treated wood nailer(s) (minimum 2 x 4) shall be aligned flush with or extend slightly past outermost edge of wall.



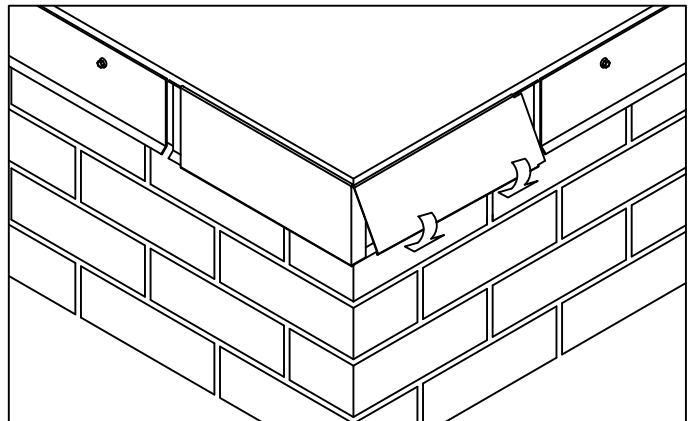
2. Formed Bar Miter Installation

Fold roofing membrane at corners and install miters with appropriate fasteners.



3. Formed Bar Installation

Install 12'-0" sections of formed bar from right to left, (as seen from roof top) spacing formed bar joints 3/8". Fasten bar 12" O.C. through slots with O.C. through slots with appropriate fasteners. Field cut sections as necessary.



4. Fascia Miter Covers

Install 2-piece fascia corner covers first by hooking top edge of fascia corner cover with 90° (degree) tab and rotating down. Press the bottom edge of the bar until it snaps into place. Followed by fascia corner cover without the tab.



1195 PRINCE HALL DRIVE
BELIOT, WI 53511
800-786-1492
WWW.MULEHIDE.COM

DATE: 04/01/24
DRN BY: MLM
CKD BY: MM

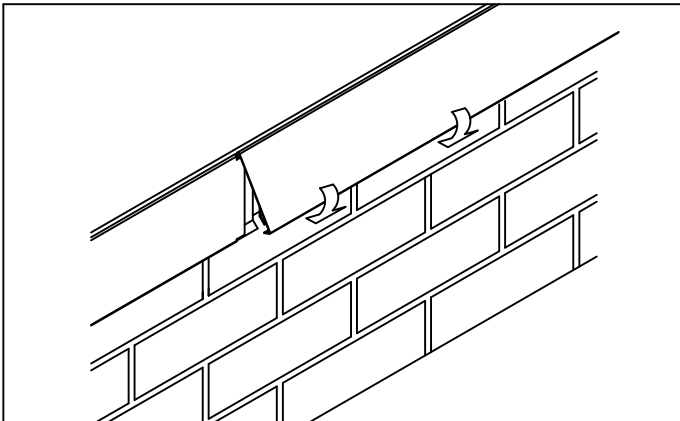
SHT.# 1 OF 2
DWG# 52110-42631

A

4" FASCIA COVER

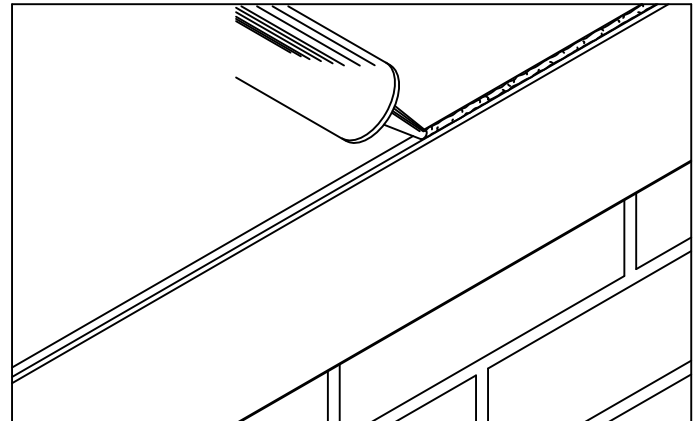
ONE SLOT VERSION

INSTALLATION INSTRUCTIONS



5. Fascia Covers

Install 12'-0" covers by hooking the top edge of the cover onto the top of the bar and rotate down. Press the bottom edge into the bar until it snaps into place. Continue with each section, while lapping each section 1" onto the next.

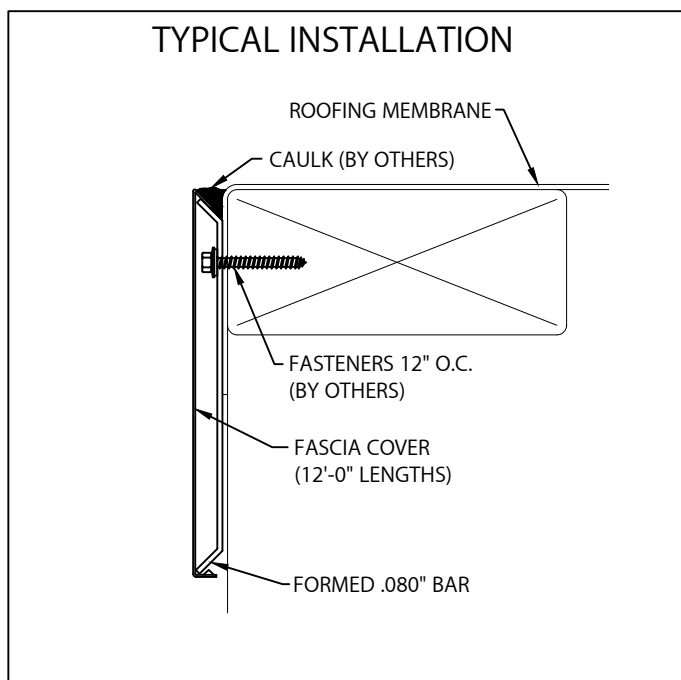


6. Caulk

Apply caulk (by others) along entire length of fascia between the wall and the fascia.

IMPORTANT! Be sure to remove protective plastic film prior to installing each fascia section.

TYPICAL INSTALLATION



1195 PRINCE HALL DRIVE
BELIOT, WI 53511
800-786-1492
WWW.MULEHIDE.COM

DATE: 04/01/24
DRN BY: MLM
CKD BY: MM

SHT.# 2 OF 2
DWG# 52110-42631

A