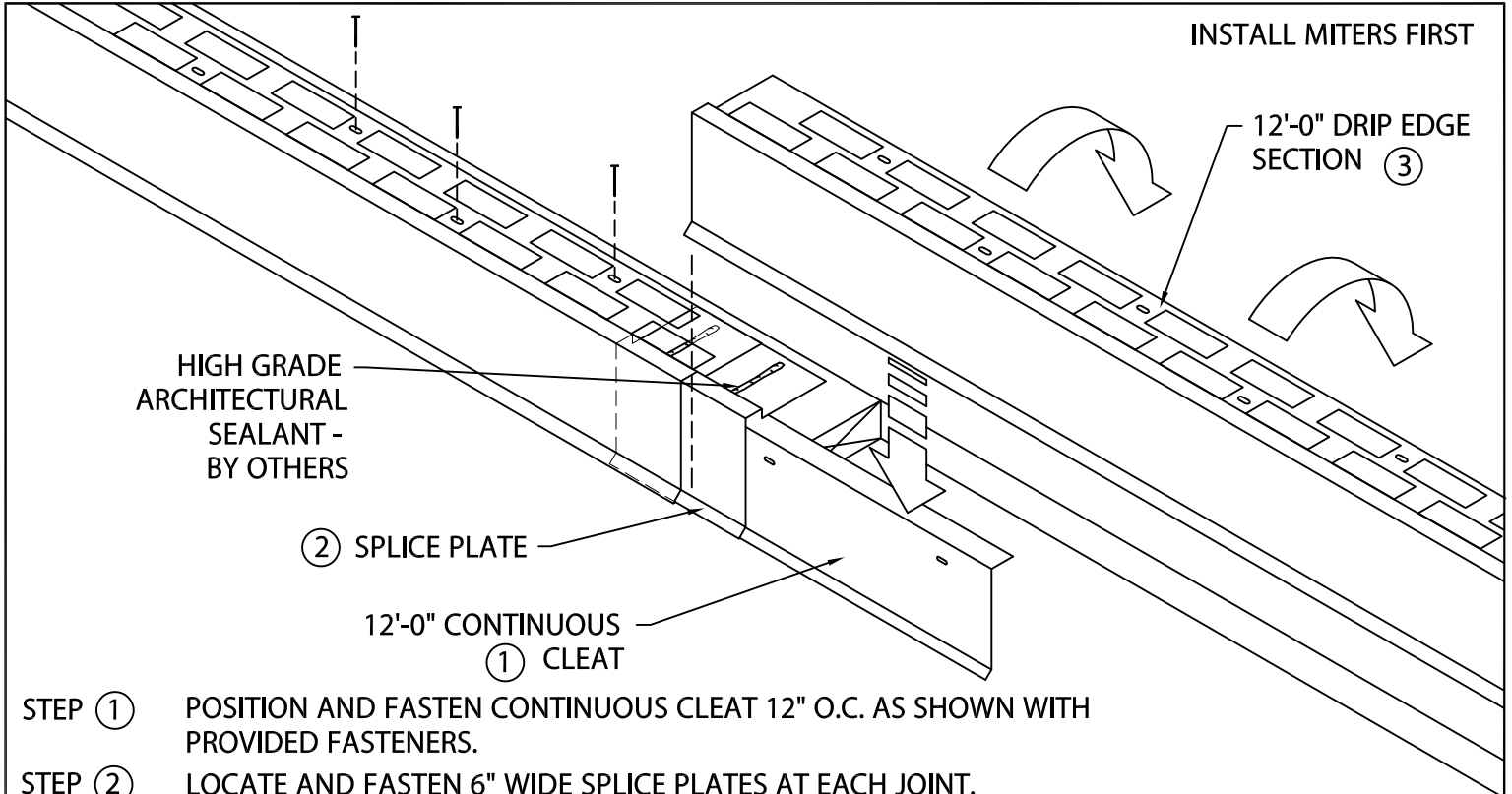


# DRIP EDGE MB

BUILT-UP OR MODIFIED VERSION

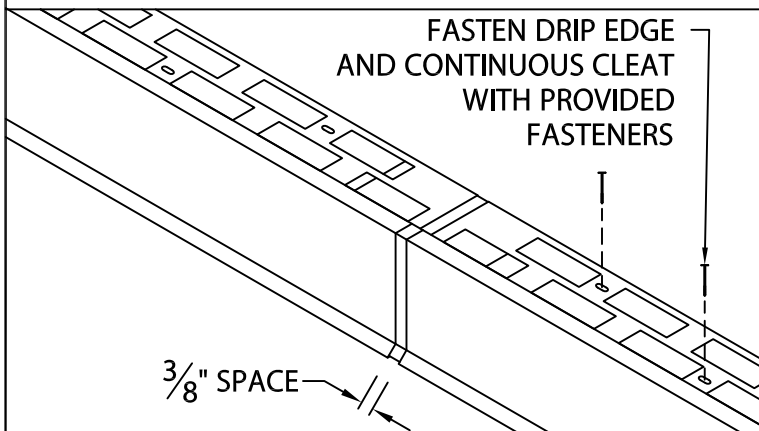
INSTALLATION INSTRUCTIONS



STEP ① POSITION AND FASTEN CONTINUOUS CLEAT 12" O.C. AS SHOWN WITH PROVIDED FASTENERS.

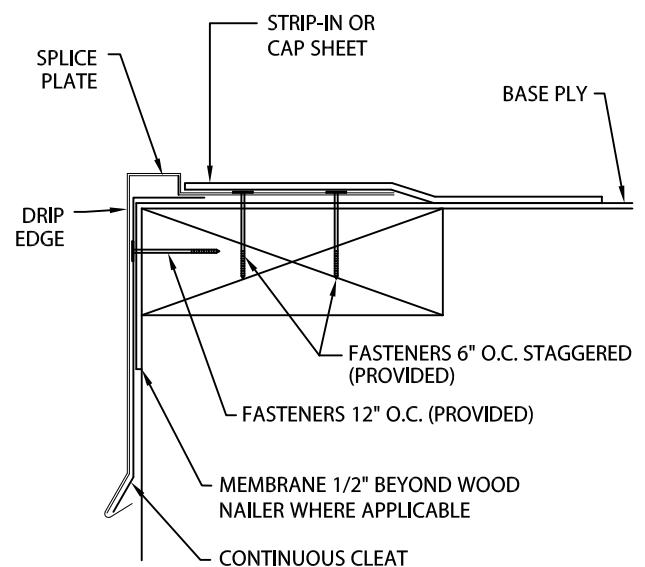
STEP ② LOCATE AND FASTEN 6" WIDE SPLICE PLATES AT EACH JOINT. SEALANT (BY OTHERS) TO BE FIELD APPLIED TO TOP OF EACH SPLICE PLATE AS SHOWN.

STEP ③ HOOK DRIP EDGE OF EACH DRIP EDGE SECTION ONTO CONTINUOUS CLEAT, ROTATE INTO PLACE, AND FASTEN WITH PROVIDED FASTENERS.



STEP ④ CONTINUE BY INSTALLING DRIP EDGE SECTIONS ALLOWING A 3/8" SPACE BETWEEN SECTIONS AS SHOWN. FIELD CUT AS NECESSARY. REMOVE PROTECTIVE FILM IMMEDIATELY AFTER INSTALLATION. INSTALLERS SHALL WEAR PROTECTIVE EYEWEAR TO PREVENT INJURY.

## TYPICAL INSTALLATION



1195 PRINCE HALL DRIVE  
BELIOT, WI 53511  
800-786-1492  
WWW.MULEHIDE.COM

DATE: 03/25/24

DRN BY: MLM

CKD BY: MM

SHT.# \_\_\_ OF \_\_\_

DWG# 52110-42587

A