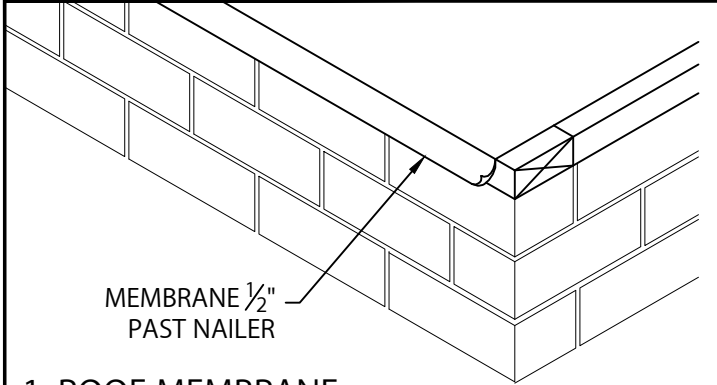


CUSTOM GRAVEL STOP

TPO OR PVC VERSION WITH CONTINUOUS CLEAT

NOTE: INSTALL MITERS FIRST

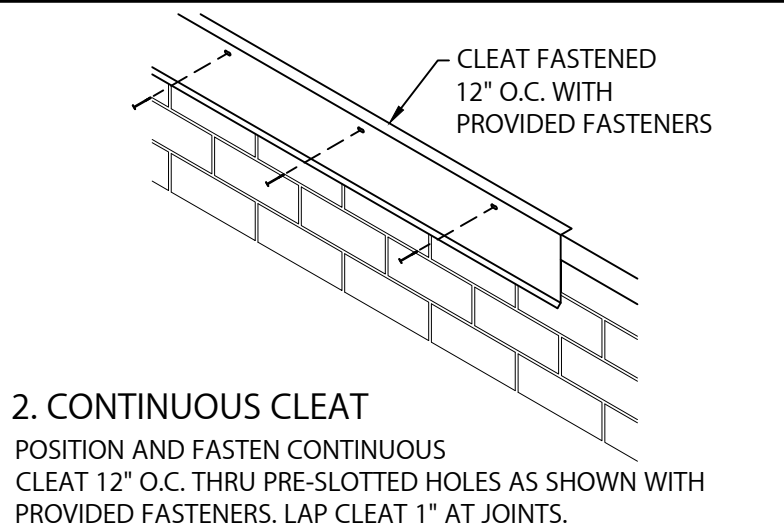
INSTALLATION INSTRUCTIONS



MEMBRANE $\frac{1}{2}$ "
PAST NAILER

1. ROOF MEMBRANE

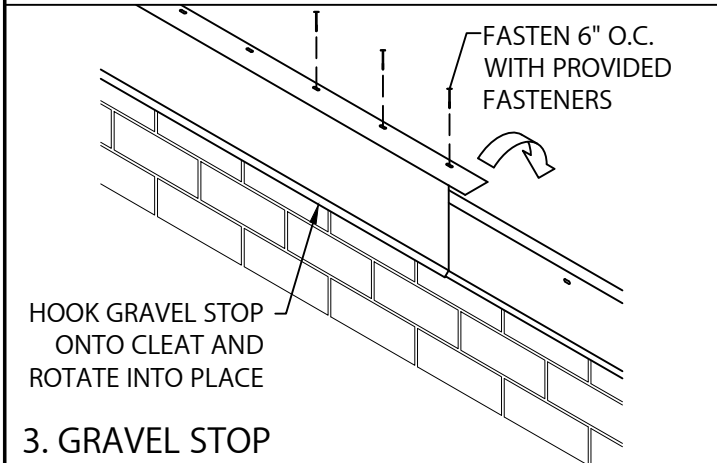
POSITION MEMBRANE OVER THE ROOF EDGE AND DOWN OUTSIDE FACE OF WALL, COVERING WOOD NAILER(S) COMPLETELY. ALLOW $\frac{1}{2}$ " EXCESS MEMBRANE.



CLEAT FASTENED
12" O.C. WITH
PROVIDED FASTENERS

2. CONTINUOUS CLEAT

POSITION AND FASTEN CONTINUOUS CLEAT 12" O.C. THRU PRE-SLOTTED HOLES AS SHOWN WITH PROVIDED FASTENERS. LAP CLEAT 1" AT JOINTS.

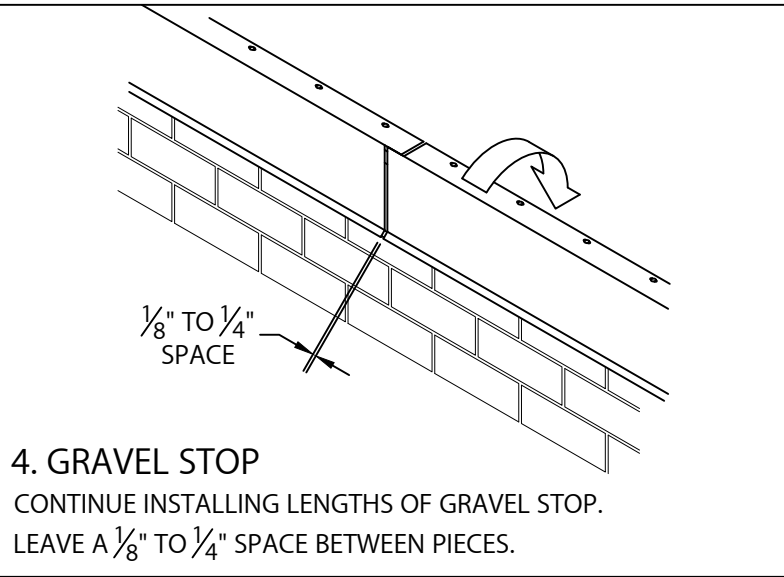


FASTEN 6" O.C.
WITH PROVIDED
FASTENERS

HOOK GRAVEL STOP
ONTO CLEAT AND
ROTATE INTO PLACE

3. GRAVEL STOP

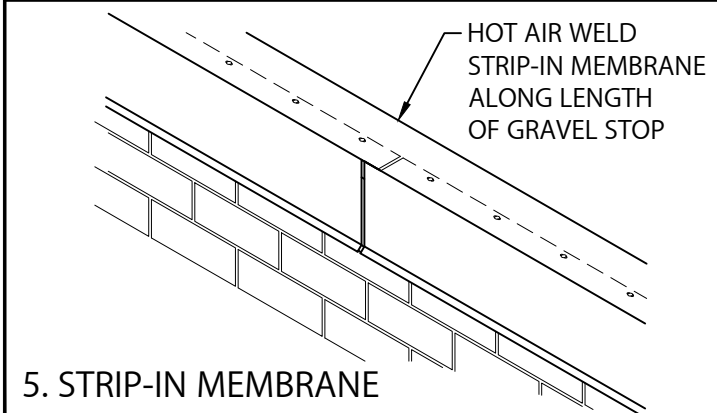
HOOK DRIP EDGE OF EACH GRAVEL STOP SECTION ONTO CONTINUOUS CLEAT, ROTATE INTO PLACE. FASTEN THRU PRE-SLOTTED HOLES 6" WITH PROVIDED FASTENERS.



$\frac{1}{8}$ " TO $\frac{1}{4}$ "
SPACE

4. GRAVEL STOP

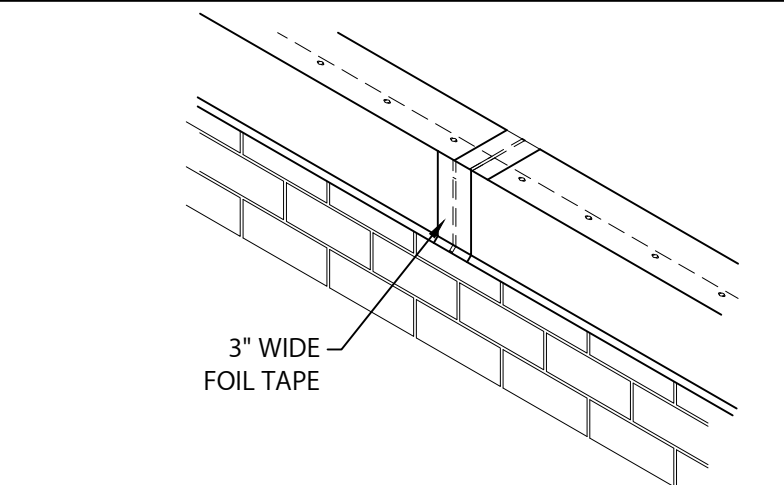
CONTINUE INSTALLING LENGTHS OF GRAVEL STOP. LEAVE A $\frac{1}{8}$ " TO $\frac{1}{4}$ " SPACE BETWEEN PIECES.



HOT AIR WELD
STRIP-IN MEMBRANE
ALONG LENGTH
OF GRAVEL STOP

5. STRIP-IN MEMBRANE

HOT AIR WELD STRIP-IN MEMBRANE ALONG ENTIRE LENGTH OF GRAVEL STOP PER MANUFACTURERS INSTRUCTIONS.



3" WIDE
FOIL TAPE

6. FOIL TAPE AT JOINT

PLACE A 3" WIDE PIECE OF FOIL TAPE OVER JOINT.



1195 PRINCE HALL DRIVE
BELIOT, WI 53511
800-786-1492
WWW.MULEHIDE.COM

DATE: 03/26/24

DRN BY: MLM

CKD BY: MM

SHT.# 1 OF 2

DWG# 52410-42606

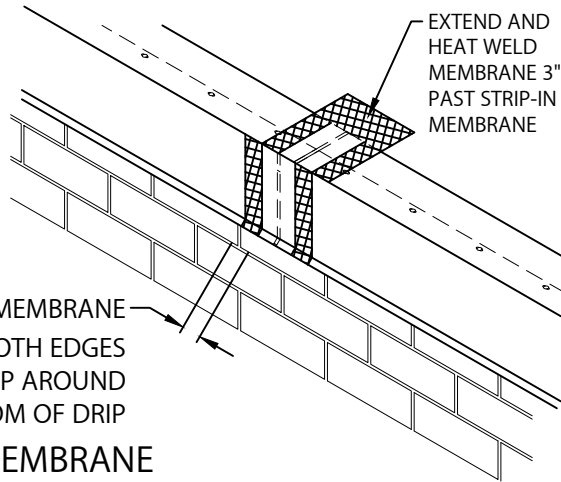
A

CUSTOM GRAVEL STOP

TPO OR PVC VERSION WITH CONTINUOUS CLEAT

NOTE: INSTALL MITERS FIRST

INSTALLATION INSTRUCTIONS

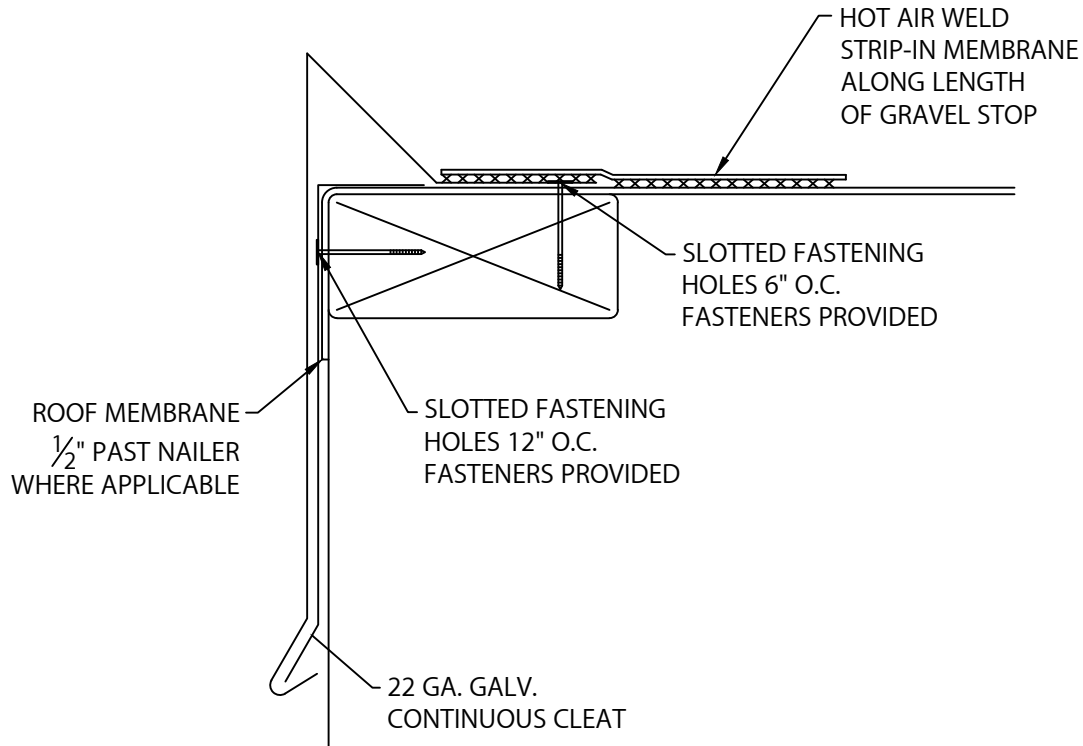


HEAT WELD MEMBRANE
1½" ALONG BOTH EDGES
DO NOT WRAP AROUND
BOTTOM OF DRIP

7. JOINT MEMBRANE

HEAT WELD A 6" WIDE PIECE OF NON-REINFORCED
MEMBRANE OVER JOINT AS SHOWN ABOVE.

TYPICAL INSTALLATION



1195 PRINCE HALL DRIVE
BELIOT, WI 53511
800-786-1492
WWW.MULEHIDE.COM

DATE: 03/26/24
DRN BY: MLM
CKD BY: MM

SHT.# 2 OF 2

DWG# 52410-42606

A