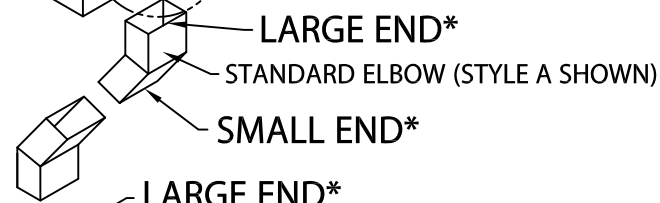
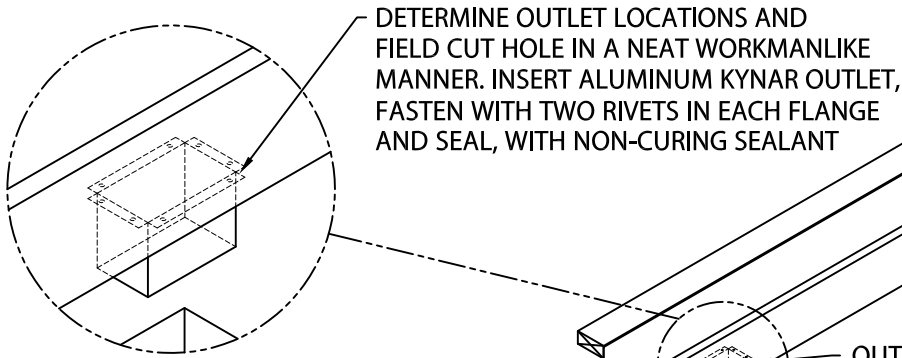


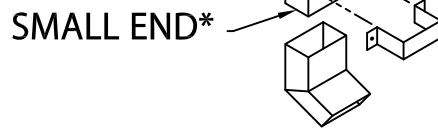
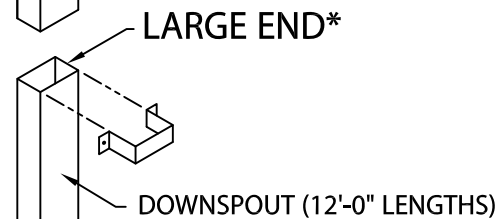
INDUSTRIAL DOWNSPOUT

CLOSED DOWNSPOUT, STYLE 2 DOWNSPOUT STRAP VERSION

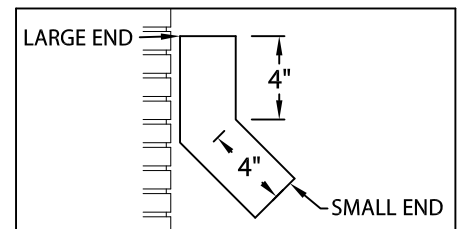
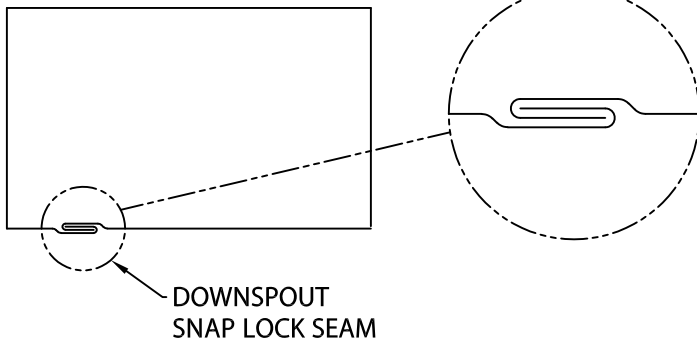
INSTALLATION INSTRUCTIONS



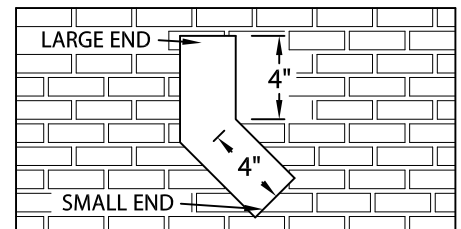
* TO DETERMINE WHICH END IS THE LARGE END AND WHICH END IS THE SMALL END, THE DOWNSPOUT WILL NEED TO BE MEASURED. AS AN EXAMPLE, ON A 4" x 6" DOWNSPOUT THE LARGE END WOULD BE 4" x 6" AND THE SMALL END WOULD BE 3⁷/₈" x 5⁷/₈".



DOWNSPOUT SECTION



STYLE A DOWNSPOUT



STYLE B DOWNSPOUT



1195 PRINCE HALL DRIVE
BELIOT, WI 53511
800-786-1492
WWW.MULEHIDE.COM

DATE: 04/12/24
DRN BY: MLM
CKD BY: MM

SHT.# ___ OF ___
DWG# 52113-42696

A