

FIGURE 1
INSTALLATION USING 12" O.C.
BEADS ON 4' X 4' BOARDS

* MAXIMUM 4'X4' INSULATION BOARDS
WHEN ADHESIVE IS DISPENDED AT
12" ON CENTER OR WHEN BOARDS
EXCEED 4" THICKNESS

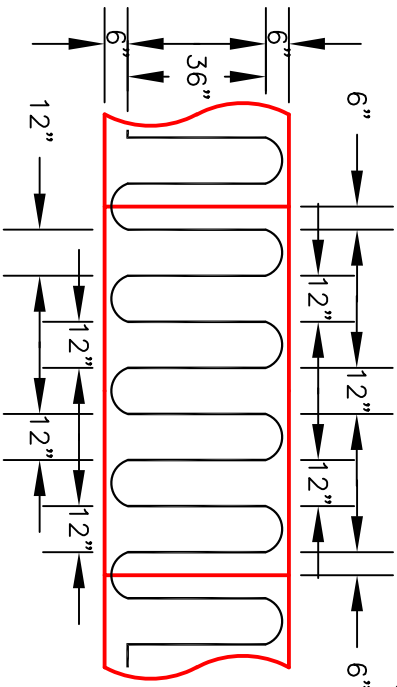


FIGURE 3
INSTALLATION USING 12" O.C.
BEADS ON 4' X 8' BOARDS

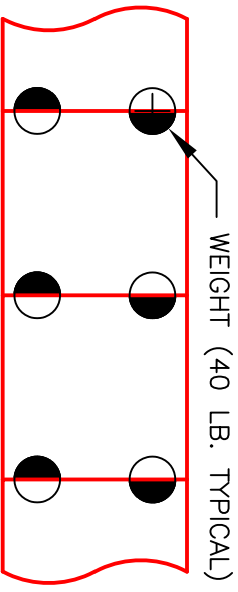


FIGURE 2
RECOMMENDED WEIGHT
PLACEMENT ON 4' X 4' BOARDS

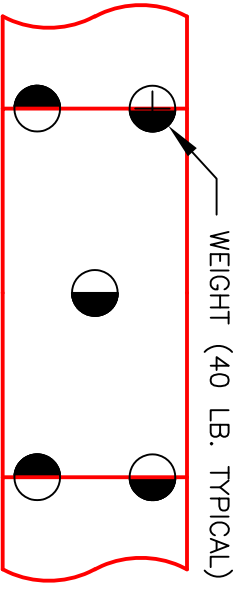


FIGURE 4
RECOMMENDED WEIGHT
PLACEMENT ON 4' X 8' BOARDS

* SEE HELIX MAX PRODUCT DATA SHEET FOR
COVERAGE RATES

**MULE-HIDE
PRODUCTS CO., INC.**

**HELIX MAX FOAM ADHESIVE
12" RIBBON PATTERN
SYSTEMS:**

ALL SYSTEMS

**DETAIL NO.:
MHHA-JN-12**

REVISION DATE: 07/01/2024