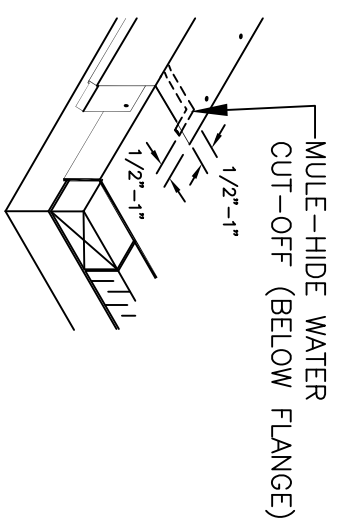
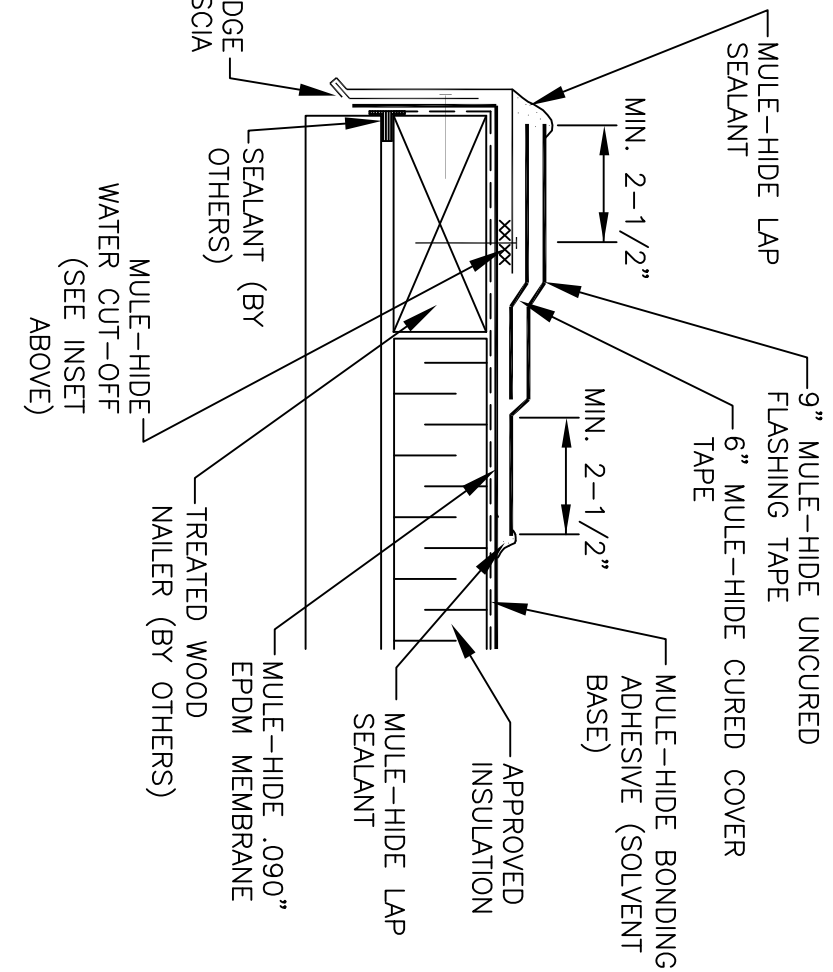
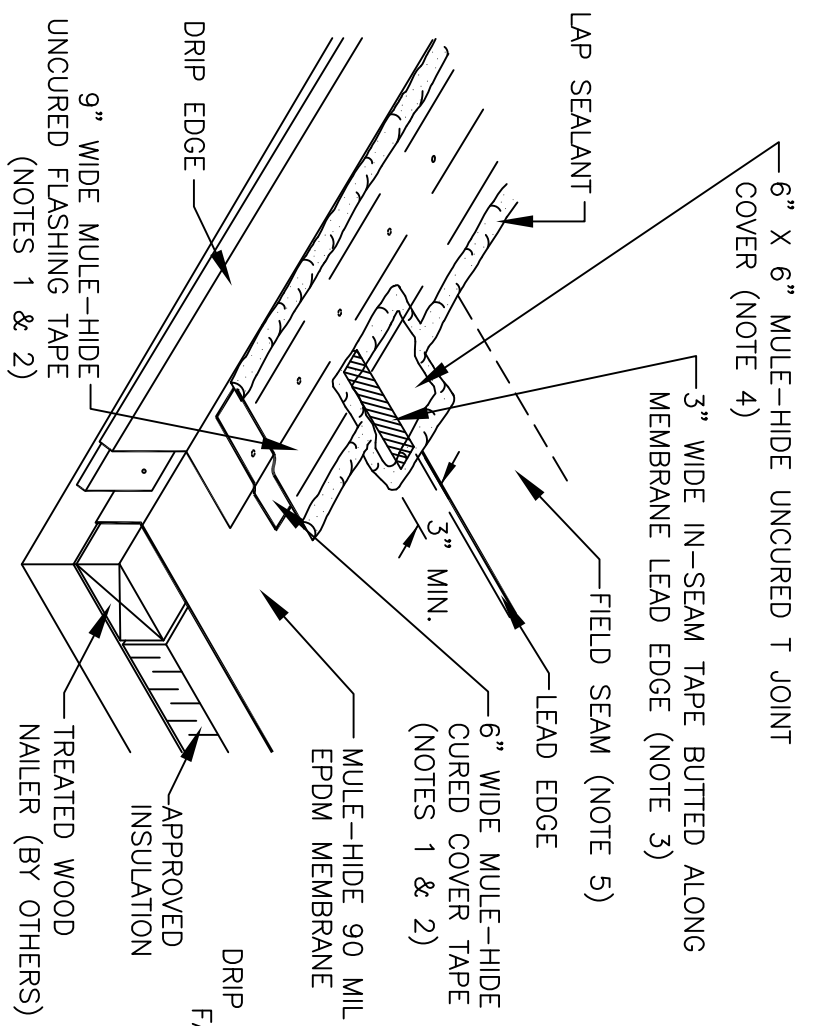


NOTES:

1. DECK FLANGE MUST BE TOTALLY COVERED BY MULE-HIDE CURED COVER TAPE (USE TAPE PRIMER) FLASHING WITH MINIMUM 2-1/2" COVERAGE PAST NAIL HEADS.
2. PRIOR TO INSTALLING MULE-HIDE TAPE (BOTH LAYERS), APPLY MULE-HIDE TAPE PRIMER AND ALLOW TO PROPERLY DRY.
3. INSTALL 3" x 6.5" IN-SEAM TAPE (IN CONJUNCTION WITH TAPE PRIMER) ALONG LEADING EDGE OF MEMBRANE SEAM OVERLAPPING SEAM TAPE.
4. INSTALL 6" WIDE MULE-HIDE UNCURED FLASHING TAPE (IN CONJUNCTION WITH TAPE PRIMER) AT FIELD SEAM INTERSECTIONS AND SEAL WITH LAP SEALANT AS SHOWN.
5. FOLLOW STANDARD FIELD SEAM REQUIREMENTS FOR 90 MIL MEMBRANE SYSTEMS.



ALL REQUIREMENTS FOR 90 MIL SYSTEM MUST BE FOLLOWED



MULE-HIDE

PRODUCTS CO., INC.
2010

DRIP EDGE

SYSTEMS:
90 MIL EPDM
FULLY ADHERED

DETAIL NO.:

MHE-502