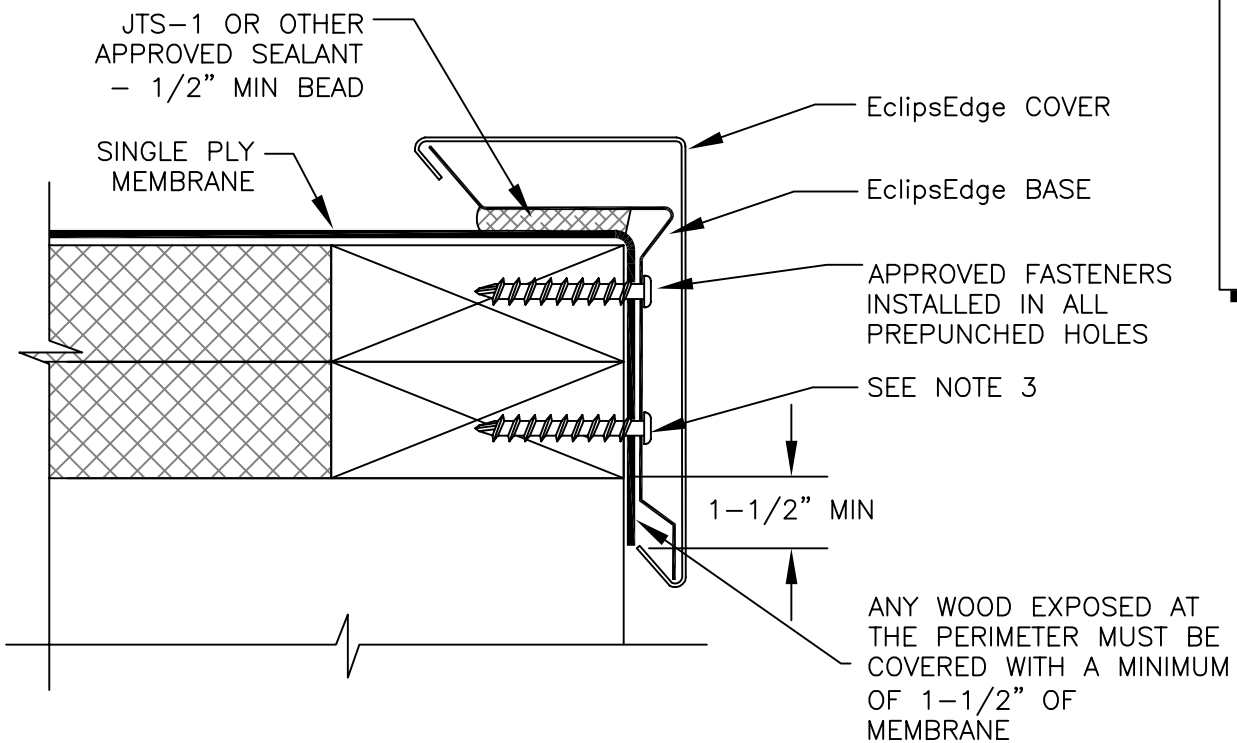


- NOTES:
1. OVERLAP EACH 10-FOOT LENGTH OF BASE BY 1". OVERLAP COVERS BY 1-1/2" UTILIZING THE PRE-NOTCHED ENDS.
 2. WOOD NAILERS MUST WITHSTAND A MINIMUM FORCE OF 180 POUNDS PER LINEAL FOOT (PER BUILDING CODE). ANY PULL VALUES GREATER THAN 270 POUNDS WILL ALLOW FOR A FASTENER SPACING OF 18 INCHES ON CENTER. PULL VALUES LESS THAN 270 POUNDS WILL REQUIRE ADDITIONAL FASTENERS. THE INSTALLING CONTRACTOR IS RESPONSIBLE FOR MEETING BUILDING CODES.
 3. SECOND ROW OF FASTENERS REQUIRED FOR 6" FACE AND LARGER. HOLES WILL BE PREPUNCHED.



NOTE:
THIS DETAIL QUALIFIES TO BE INCLUDED IN ANY MULE-HIDE LABOR AND MATERIAL WARRANTY

MULE-HIDE PRODUCTS CO., INC.	MULE-HIDE EclipsEdge FASCIA SYSTEM	DETAIL NO.:
	SYSTEMS:	MHSM-3580
	ALL MULE-HIDE SYSTEMS	REVISION DATE: 03/2017