

Contractor Estimating Sheet

TPO, EPDM, & PVC Systems

ARCHED COPING

Detail # MHSM-6056

Email completed form to MHQuotes@mulehide.com



Date: _____

Status: Quote Order

ABC Center: _____ #: _____
 PO #: _____ ABC Contact: _____
 Contractor Name: _____
 Contractor Contact: _____
 Phone #: _____
 Special Instructions: _____

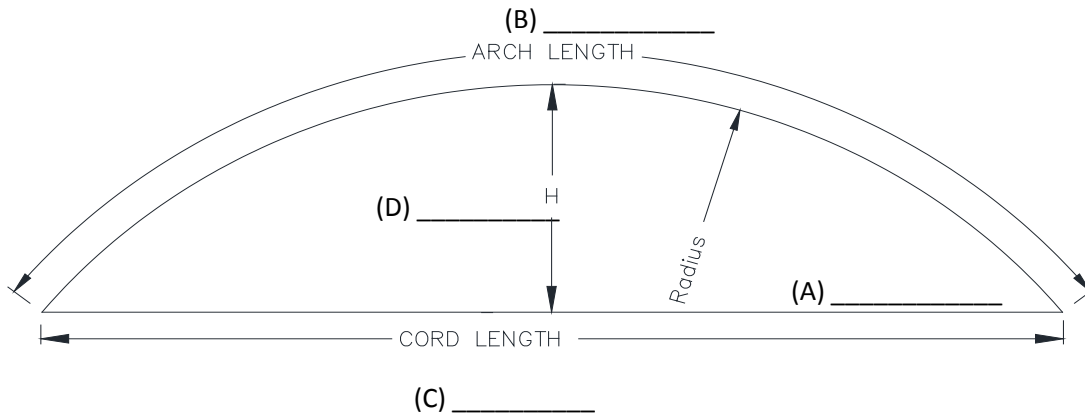
Job Name: _____
 Address: _____
 City: _____ St: _____ Zip: _____
 Jobsite Contact: _____
 Phone #: _____
 Ship To (if different from above): _____

Provide radius (A) when possible along with the following REQUIRED measurements:

REQUIRED MEASUREMENTS

- (B) Total arch length
- (C) Entire width of the arch (cord length). If the entire cord length cannot be measured specify the cord length used.
- (D) Height (H)

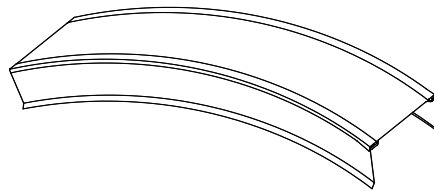
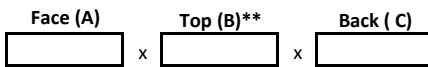
Note: When the entire width of the arch is not measured verify the height measurement in several locations using the same cord length.



Some arches may require a template. See template instructions.

Available face and back sizes of 3-8" *

Arched Coping Size:

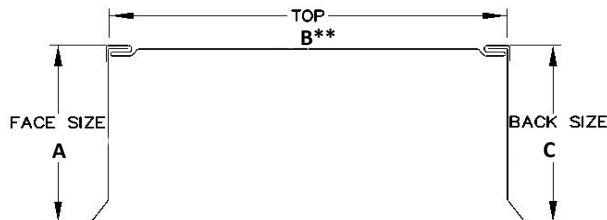


Face material type:

24ga. Kynar 500

24ga. Bonderized

Face color: _____



* 4" or larger face size require splice cleats 24" o.c. (splice cleats included).

** Order this 1/4" wider than the wall.

Contractor Approval:	
<i>Fabrication will proceed after signed approval.</i>	
Signature	Date
Name	Title
<small>Contractor shall verify all dimensions, sizes, and quantities. All products to be installed in strict accordance with Mule-Hide's printed instructions.</small>	