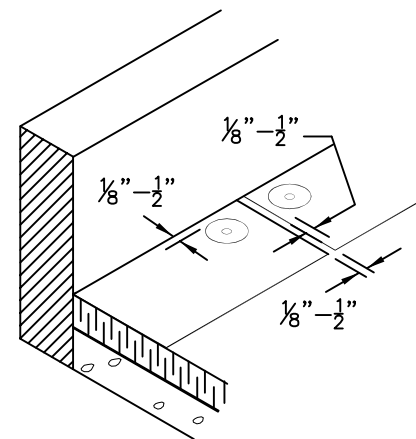
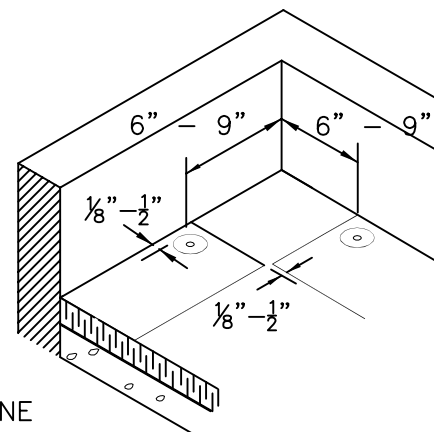
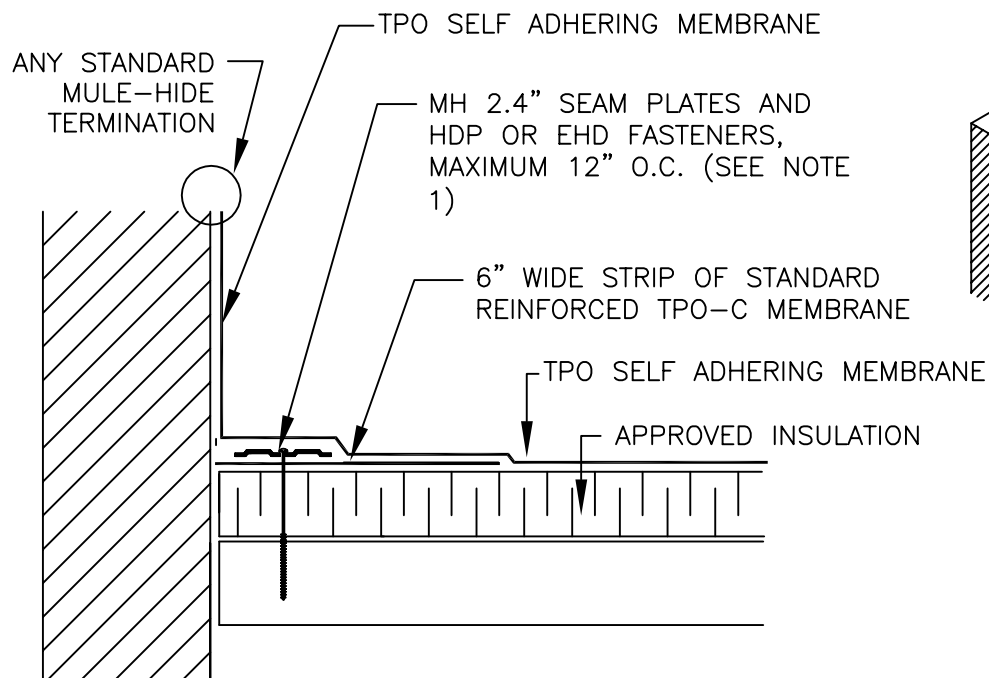


CREASE MEMBRANE AT ANGLE
CHANGE TO LIMIT BRIDGING TO
 $\frac{3}{4}$ " MAX



NOTES:

1. CONTACT MULE-HIDE FOR FASTENING CRITERIA AND PROPER FASTENERS FOR EACH DECK TYPE.
2. RUSS PRODUCTS CANNOT BE USED ON FLEECEBACK OR SELF ADHERING MEMBRANES.

MH TPO PRIMER IS NOT NEEDED TO PREPARE THE 6" STRIP OF STANDARD REINFORCED TPO-C MEMBRANE. HOWEVER, THE 6" STRIP OF STANDARD REINFORCED TPO-C MEMBRANE MUST BE CLEAN AND DRY.

**MULE-HIDE
PRODUCTS CO., INC.**

**BASE ATTACHMENT
USING 6" STANDARD TPO-C MEMBRANE**

**SYSTEMS:
TPO SELF ADHERING
SYSTEMS ONLY**

DETAIL NO.:

MHT-FA-305C

REVISION DATE: 3/2014