

NOTES:

1. DETAILS TO BE USED IN CONJUNCTION WITH STANDARD GUIDE SPECIFICATIONS CONTAINING REQUIREMENTS FOR NAILERS, INSULATION, SLIPSHEETS, ETC.

2. PVC EDGE SEALANT IS REQUIRED ON ALL CUT OR NON-ENCAPSULATED EDGES OF REINFORCED MEMBRANE. THIS INCLUDES FACTORY CUT MEMBRANE.

3. REMOVE ALL LEAD AND OTHER FLASHING.

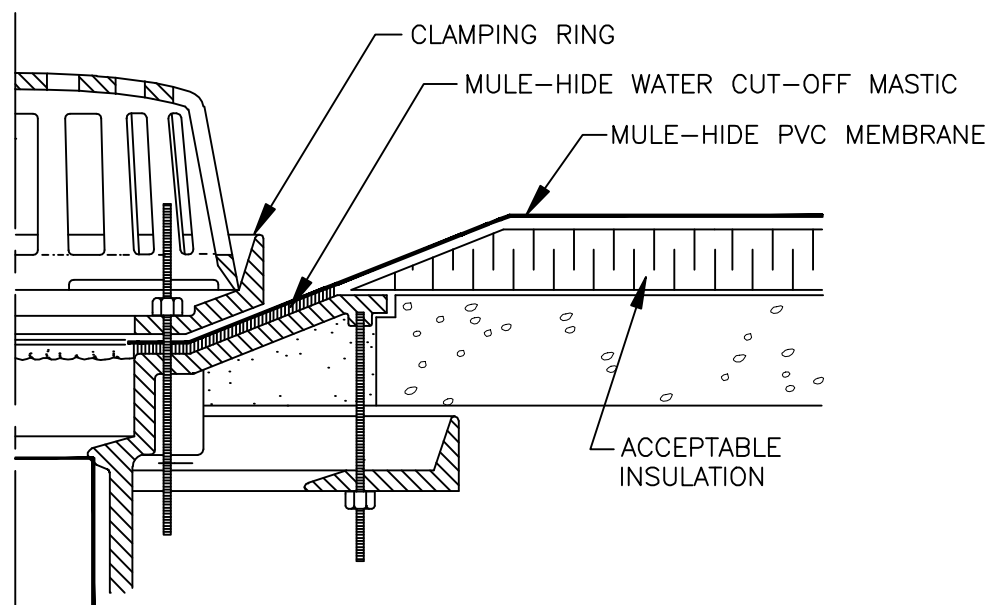
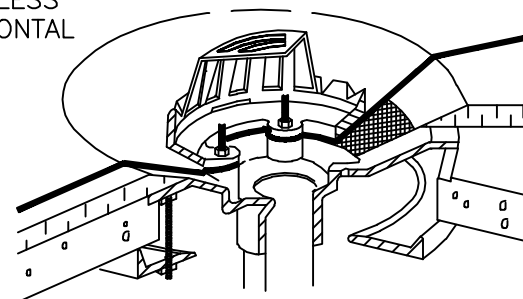
4. ALL BOLTS AND CLAMPS MUST BE IN PLACE TO PROVIDE CONSTANT COMPRESSION ON WATER CUT-OFF MASTIC.

5. CUT THE MEMBRANE SO IT EXTENDS A MINIMUM OF 1/2" FROM THE ATTACHMENT POINTS OF THE DRAIN CLAMPING RING.

6. FOR DRAIN SUMPS WITH SLOPES GREATER THAN 3" IN 12" REFER TO MULE-HIDE DETAIL MHP-131 OR MHP-132.

7. IT IS PREFERRED TO LOCATE SPLICES AT LEAST 6" OUTSIDE DRAIN SUMP. IF SPLICES EXTEND UNDER CLAMPING RING, ENTIRE SPLICE OVERLAP MUST BE HOT AIR WELDED.

FOR DRAINS WITH TAPERED INSULATION AT DRAIN SUMP LESS THAN 3 INCHES TO 1 HORIZONTAL FOOT



**MULE-HIDE  
PRODUCTS CO., INC.  
04/01/2007**

**ROOF DRAIN FOR DRAIN SUMPS  
SLOPED LESS THAN 3" PER FOOT  
SYSTEMS:  
ALL PVC**

**DETAIL NO:  
MHP-130**