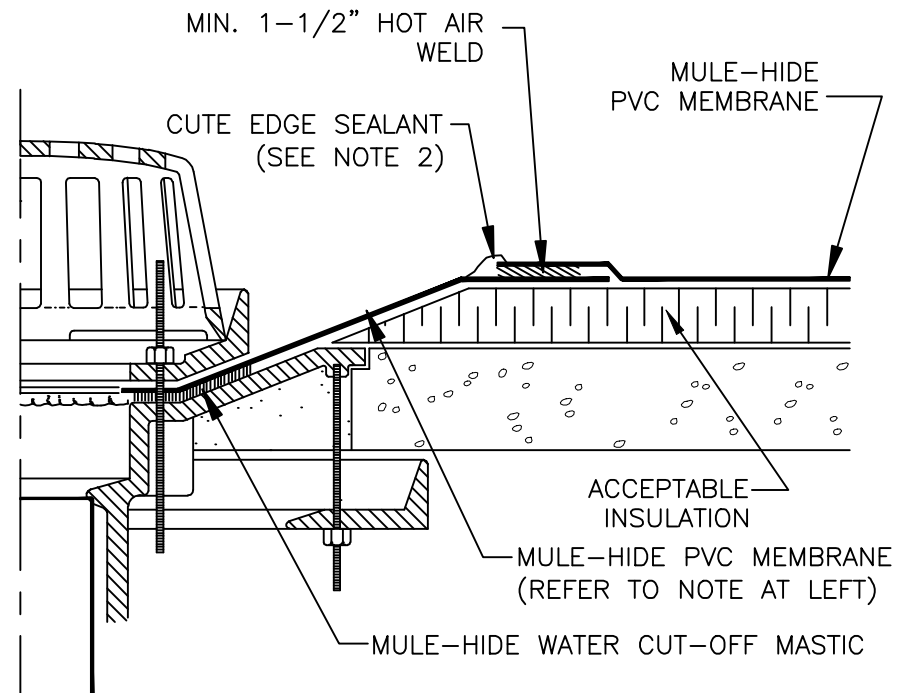
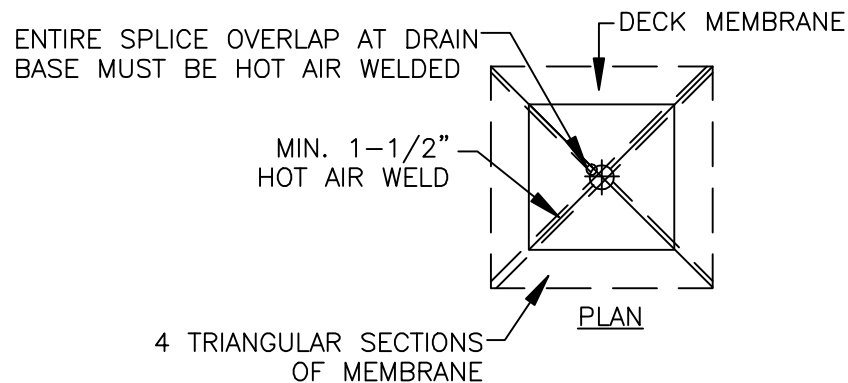


NOTES:

1. DETAILS TO BE USED IN CONJUNCTION WITH STANDARD GUIDE SPECIFICATIONS CONTAINING REQUIREMENTS FOR NAILERS, INSULATION, SLIPSHEETS, ETC.
2. PVC EDGE SEALANT IS REQUIRED ON ALL CUT OR NON-ENCAPSULATED EDGES OF REINFORCED MEMBRANE. THIS INCLUDES FACTORY CUT MEMBRANE.
3. EXTEND THE REINFORCED MEMBRANE APPROXIMATELY 5-1/2" OUT OF THE SUMP AREA.
4. REMOVE ALL LEAD AND OTHER FLASHING.
5. ALL BOLTS OR CLAMPS MUST BE IN PLACE TO PROVIDE COMPRESSION ON WATER CUT-OFF MASTIC.
6. CUT THE MEMBRANE SO IT EXTENDS A MINIMUM OF 1/2" FROM THE ATTACHMENT POINTS OF THE DRAIN CLAMPING RING.

FOR DRAINS WITH TAPERED INSULATION AT DRAIN SUMP GREATER THAN 3" TO 1 HORIZONTAL FOOT



MULE-HIDE
PRODUCTS CO., INC.
04/01/2007

ROOF DRAIN FOR DRAIN SUMPS
SLOPED MORE THAN 3" PER FOOT
SYSTEMS:
FULLY ADHERED PVC

DETAIL NO:
MHP-131