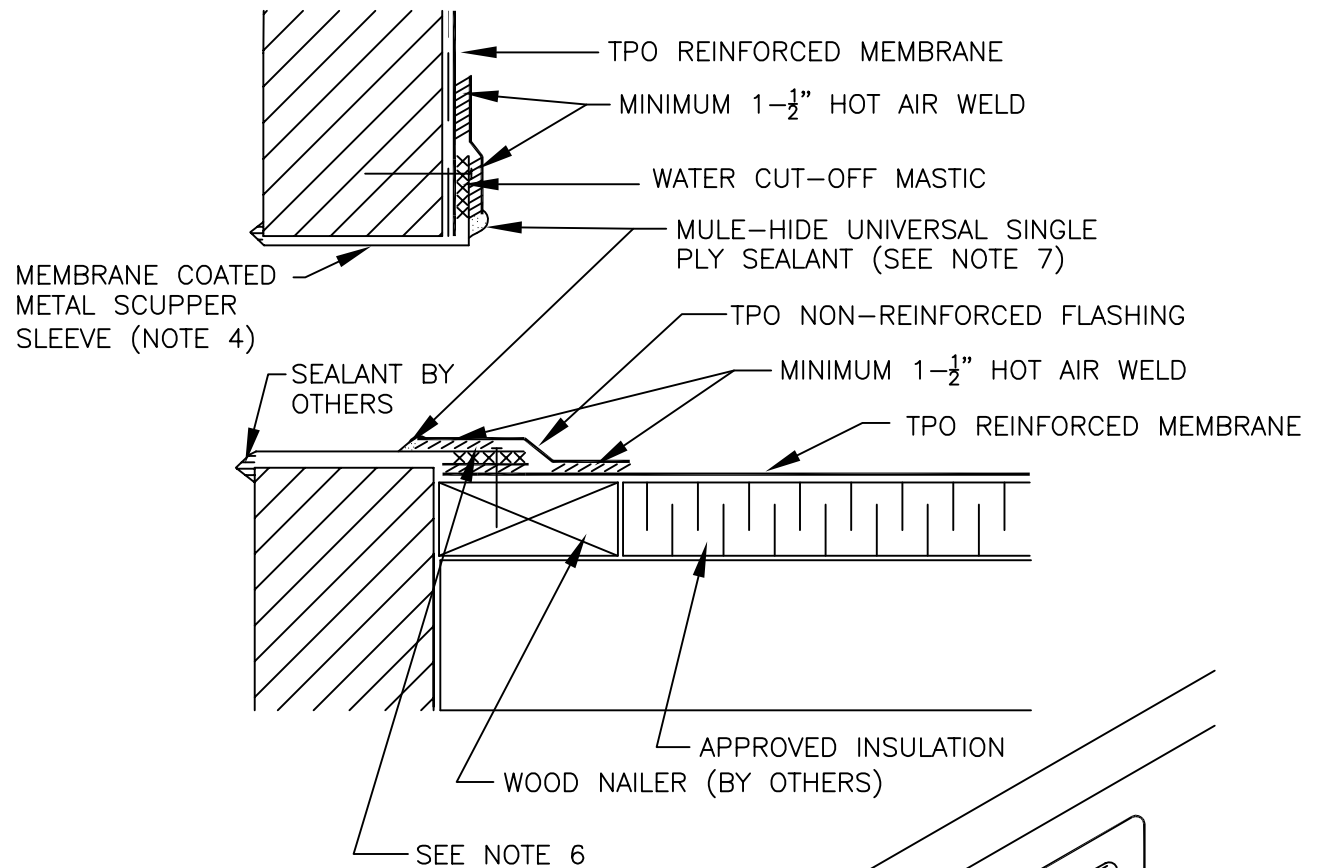
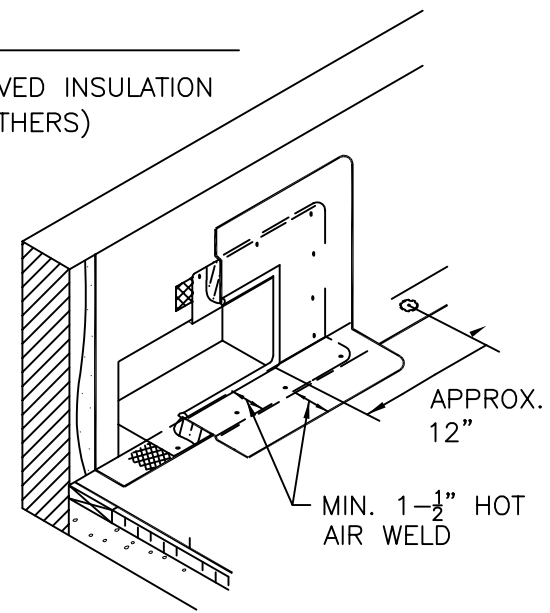


NOTES:

1. WOOD NAILER MUST EXTEND PAST TOTAL WIDTH OF DECK FLANGE.
2. INSTALL WALL FLASHING PRIOR TO SCUPPER INSTALLATION.
3. DISCONTINUE FASTENING PLATES AT SCUPPER OPENING AS SHOWN.
4. METAL SCUPPER BOX MUST HAVE CONTINUOUS SIDES; METAL FLANGE MUST BE CONTINUOUS WITH ROUNDED CORNERS.
5. WATER CUT-OFF MASTIC UNDER SCUPPER FLANGE MUST BE UNDER CONSTANT COMPRESSION.
6. MINIMUM 1- $\frac{1}{2}$ " HOT AIR WELD FROM NAIL HEAD.
7. MULE-HIDE UNIVERSAL SINGLE PLY SEALANT IS REQUIRED AT FLASHING EDGE ON SCUPPER EDGE. MULE-HIDE TAPE PRIMER MUST BE USED TO PREPARE SURFACES PRIOR TO APPLYING UNIVERSAL SINGLE PLY SEALANT.



NOTE:
THIS DETAIL IS ACCEPTABLE FOR USE IN A 20-YEAR WARRANTED SYSTEM



**MULE-HIDE
PRODUCTS CO., INC.**

**THROUGH-WALL SCUPPER
TPO COATED METAL
SYSTEMS:
ALL TPO SYSTEMS**

DETAIL NO.:
MHT-UN-220B

REVISION DATE: 10/2013