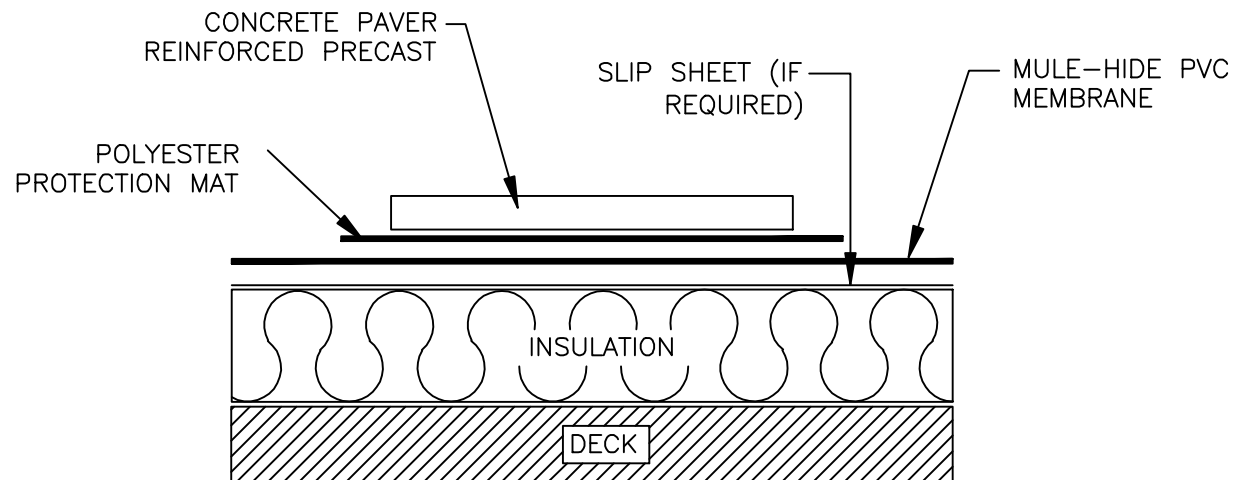


NOTES:

1. DETAILS TO BE USED IN CONJUNCTION WITH STANDARD GUIDE SPECIFICATIONS CONTAINING REQUIREMENTS FOR NAILERS, INSULATION, SLIPSHEETS, ETC.



**MULE-HIDE
PRODUCTS CO., INC.
04/01/2007**

**CONCRETE PAVER WALKWAY
SYSTEMS:
ALL PVC**

**DETAIL NO:
MHP-195**