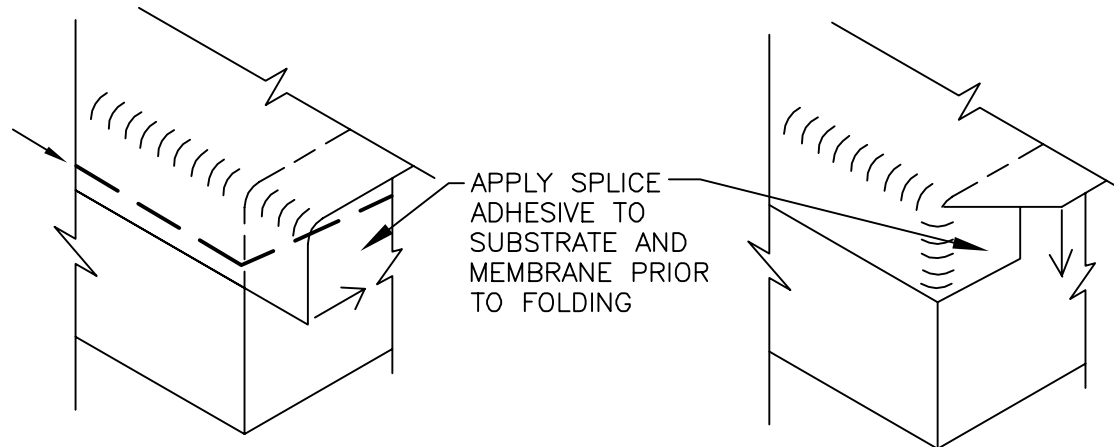
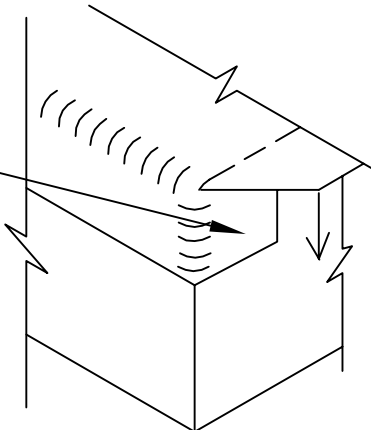


NOTE: APPLY A BEAD OF WATER CUT-OFF UNDER THE MEMBRANE OR A 1" WIDE STRIP OF BUTYL TAPE

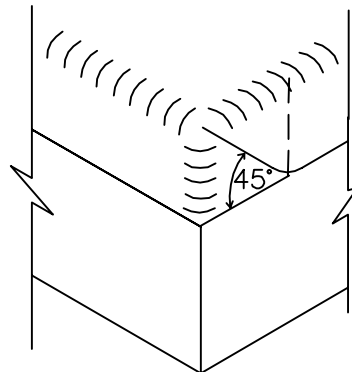


STEP 1

APPLY SPLICE ADHESIVE TO SUBSTRATE AND MEMBRANE PRIOR TO FOLDING

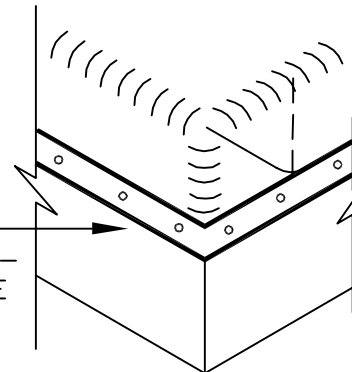


STEP 2



STEP 3

TERMINATION BAR FASTENED 6" O.C. - TOP OF BAR TO BE CAULKED WITH LAP SEALANT



STEP 4

**MULE-HIDE
PRODUCTS CO., INC.**
2010

CORNER FOLD DETAIL

**SYSTEMS:
MODULAR SYSTEMS
EPDM**

DETAIL NO.:
MDE-102