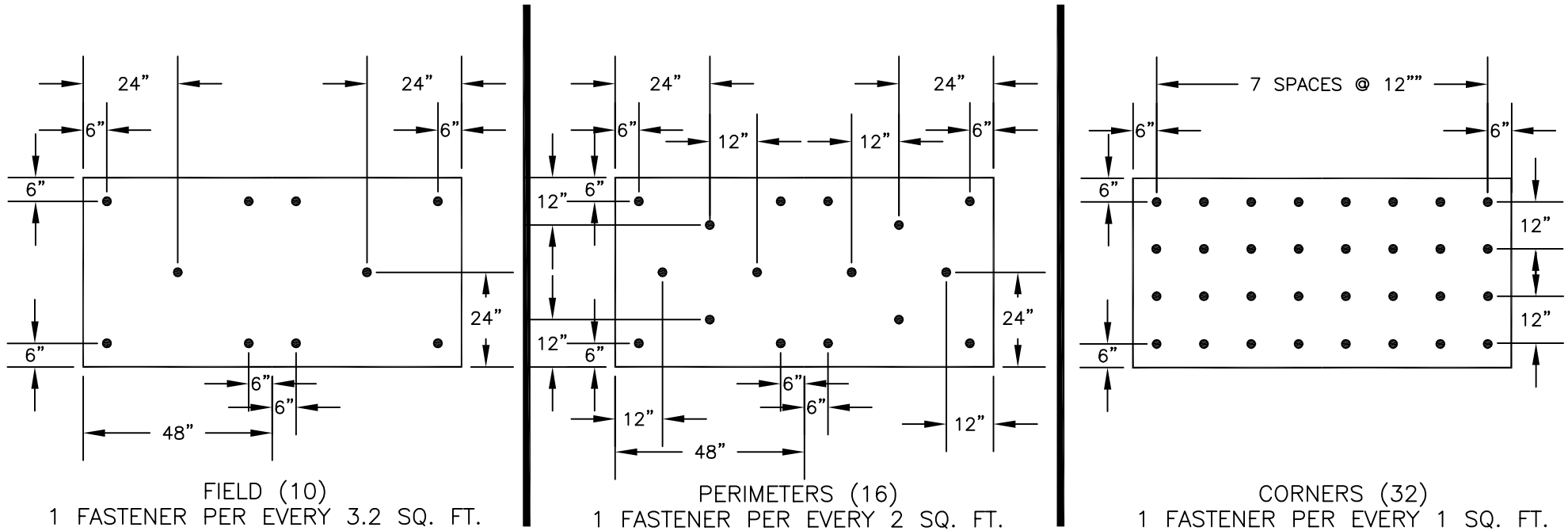


NOTES:

1. DETAILS TO BE USED IN CONJUNCTION WITH STANDARD GUIDE SPECIFICATIONS CONTAINING REQUIREMENTS FOR NAILERS, INSULATION, SLIPSHEETS, ETC.
2. MULE-HIDE DRILL POINT, HDP, OR EHD FASTENERS AND 3" DIAMETER PLATES MAY BE USED FOR INSULATION ATTACHMENT.
3. REFER TO MULE-HIDE WIND UPLIFT RATINGS FOR APPROPRIATE FASTENER DENSITY REQUIRED.
4. FASTENER DENSITY INCREASES BASED ON THE FOLLOWING:
 - 50% FOR PERIMETERS WITH A MINIMUM OF 1 FASTENER EVERY 2 SQUARE FEET NOT TO EXCEED 1 FASTENER EVERY 1 SQUARE FEET
 - CONSTANT DENSITY OF 1 FASTENER EVERY 1 SQUARE FEET FOR CORNERS.



**MULE-HIDE
PRODUCTS CO., INC.**

**FM - 10 FIELD FASTENERS
PER 4' X 8' BOARD PATTERN LAYOUT
SYSTEMS:
ALL
FULLY ADHERED SYSTEMS**

DETAIL NO.:
MHFM-210

REVISION DATE: 12/2017