

NOTES:

1. THE USE OF THIS DETAIL IS NOT TO EXCEED A 2" PER 12" SLOPE.
2. A WOOD NAILER IS REQUIRED. TOP OF WOOD NAILER IS TO BE FLUSH WITH TOP OF INSULATION. BE SURE THAT THE WOOD NAILER EXTENDS AT LEAST 1/2" BEYOND THE HORIZONTAL EDGE OF THE SNAP-ON BASE.
3. THE FASTENERS USED TO ATTACH THE BASE TO WOOD NAILERS, AND THE MEMBRANE TO THE FACE OF THE NAILERS, MUST BE SPACED NO GREATER THAN 6" ON CENTER.
4. ALLOW FOR 1/8" EXPANSION GAP BETWEEN 10' LENGTHS OF SNAP-ON BASE. OVERLAP THE SNAP-ON COVERS 2" BETWEEN 10' LENGTHS.
5. MAXIMUM MEMBRANE THICKNESS ON THIS DETAIL IS AS FOLLOWS:
 - EPDM - 60 MIL
6. USE STAINLESS STEEL FASTENERS WHEN ATTACHING INTO ACQ TREATED WOOD. ISOLATE ALL METAL PARTS FROM ACQ TREATED WOOD WITH APPROPRIATE MEMBRANE MATERIAL.
7. THE ADDITIONAL FASTENERS MUST BE WITHIN 1-3/4" OF THE BOTTOM EDGE.

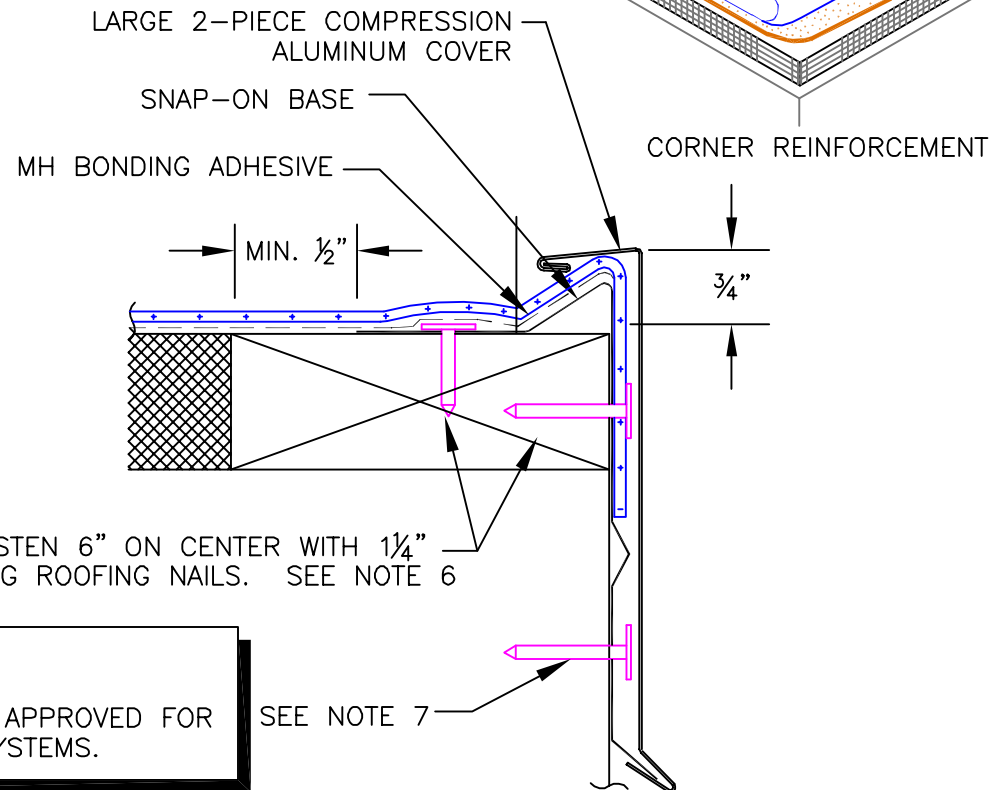
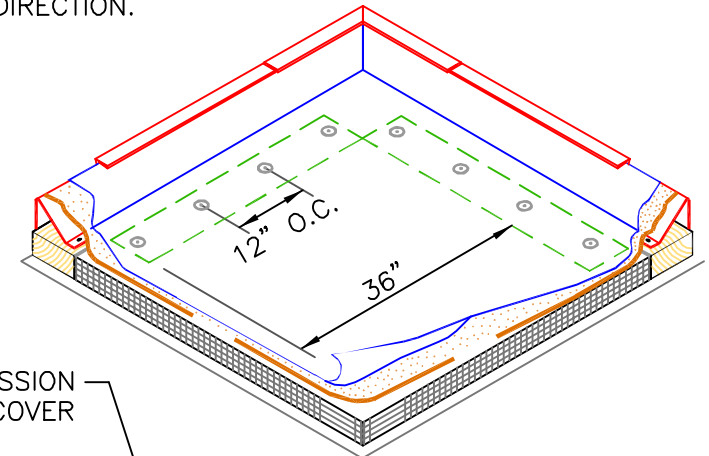
NOTE:

THIS DETAIL QUALIFIES TO BE INCLUDED IN ANY MULE-HIDE LABOR AND MATERIAL WARRANTY

NOTE:

THIS DETAIL NOT FOR USE IN 90 MIL SYSTEMS, WITH WARRANTIES LONGER THAN 20 YEARS, OR IN WIND ZONES EXCEEDING 90 MPH.

AT CORNERS, 6" WIDE RMS MUST BE INSTALLED 12" MAXIMUM FROM THE BASE OF THE SNAP ON BASE AND EXTEND 36" MINIMUM IN EACH DIRECTION.



*FASTEN 6" ON CENTER WITH 1 1/4" LONG ROOFING NAILS. SEE NOTE 6

NOTE:

THIS DETAIL IS NOT APPROVED FOR USE WITH 90 MIL SYSTEMS.

SEE NOTE 7

**MULE-HIDE
PRODUCTS CO., INC.**

**MULE-HIDE PREMANUFACTURED
2-PIECE COMPRESSION LARGE EDGE DETAIL
SYSTEMS:
EPDM FULLY ADHERED SYSTEMS**

DETAIL NO.:
MHE-3115B

REVISION DATE: 01/2013