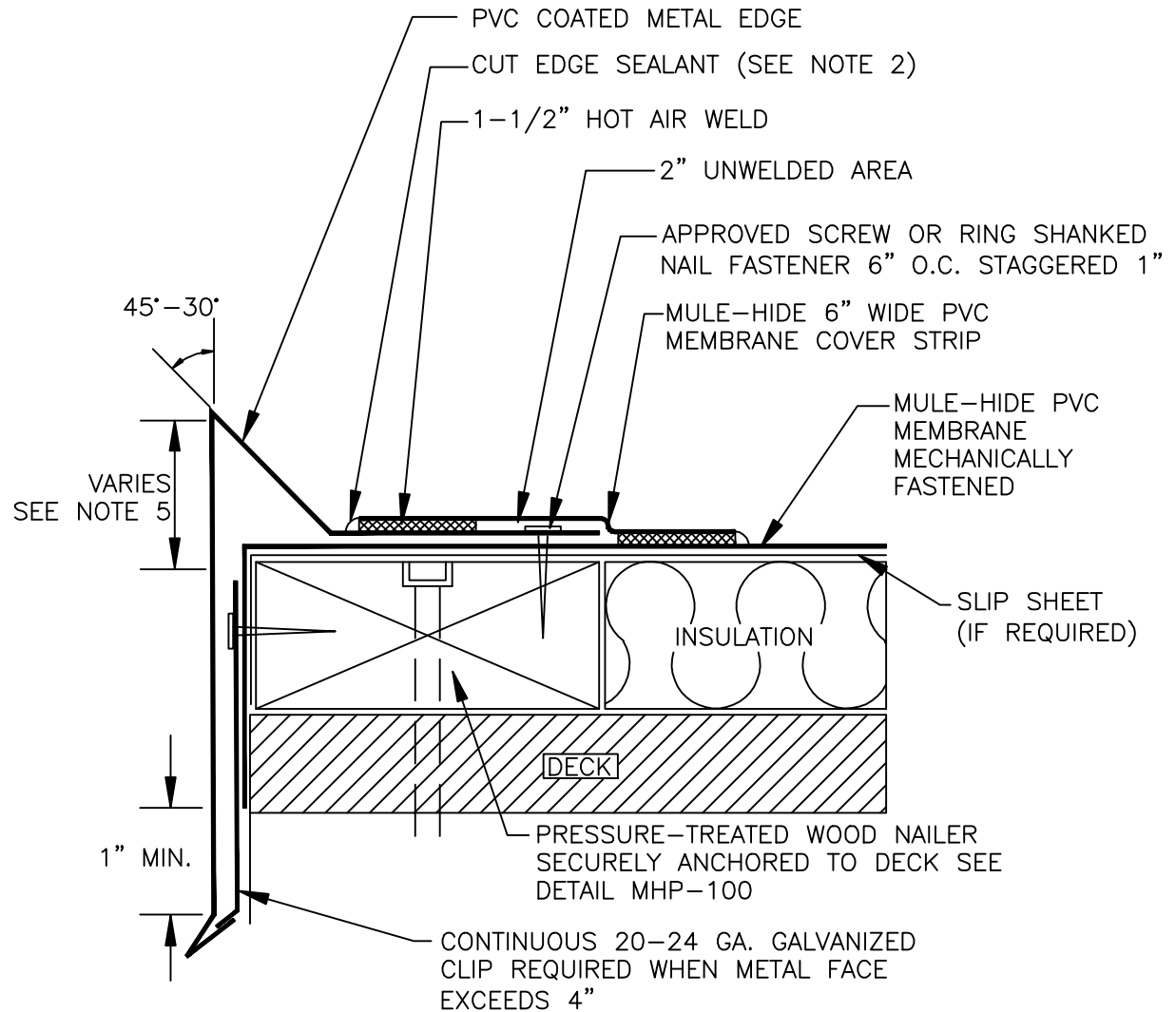


NOTES:

1. DETAILS TO BE USED IN CONJUNCTION WITH STANDARD GUIDE SPECIFICATIONS CONTAINING REQUIREMENTS FOR NAILERS, INSULATION, SLIPSHEETS, ETC.
2. PVC EDGE SEALANT IS REQUIRED ON ALL CUT OR NON-ENCAPSULATED EDGES OF REINFORCED MEMBRANE. THIS INCLUDES FACTORY CUT MEMBRANE.
3. FOR COATED METAL JOINT, SEE DETAIL MHP-109.
4. PRECAUTIONS MUST BE TAKEN TO ASSURE THAT THE MINIMUM 6" WIDE MEMBRANE COVER STRIP IS NOT WELDED SOLID. A 2" WIDE UNWELDED AREA MUST BE MAINTAINED BETWEEN THE 2 WELDED EDGES OF THE COVER STRIP.
5. APPLICATOR/SPECIFIER TO DETERMINE HEIGHT REQUIRED TO PREVENT WATER FROM CASCADING OVER BUILDING EDGES.



**MULE-HIDE
PRODUCTS CO., INC.
04/01/2007**

**PVC COATED GRAVEL STOP
SYSTEMS:
MECHANICALLY FASTENED PVC**

**DETAIL NO:
MHP-102**