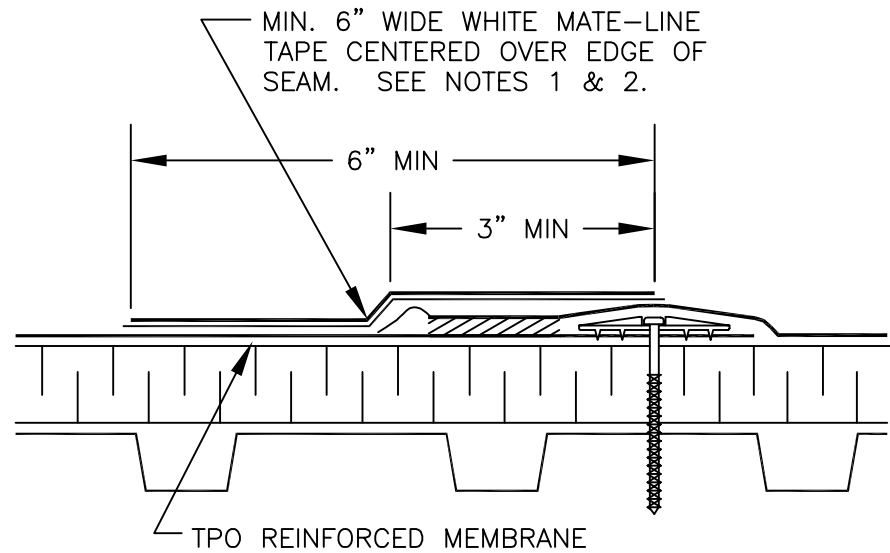


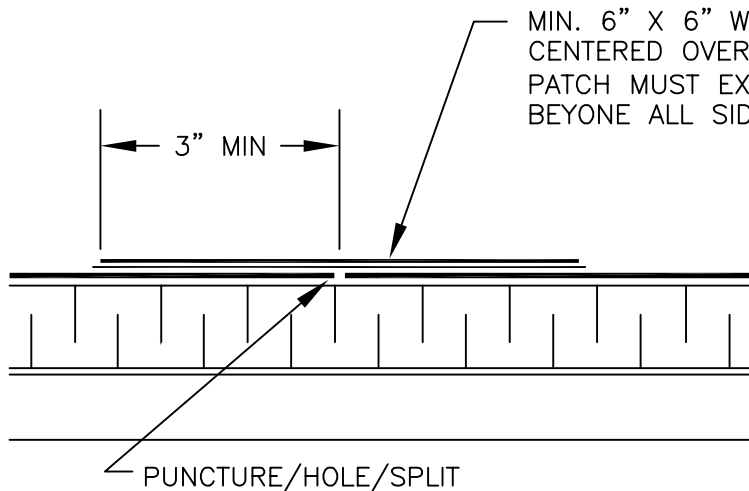
TPO REINFORCED MEMBRANE

FULLY ADHERED SEAM OVERLAY



TPO REINFORCED MEMBRANE

MECHANICALLY ATTACHED SEAM OVERLAY



PUNCTURE/HOLE/SPLIT

TYPICAL MEMBRANE REPAIR

MIN. 6" WIDE WHITE MATE-LINE TAPE CENTERED OVER EDGE OF SEAM. SEE NOTES 1 & 2.

6" MIN

3" MIN

MIN. 6" WIDE WHITE MATE-LINE TAPE CENTERED OVER EDGE OF SEAM. SEE NOTES 1 & 2.

6" MIN

3" MIN

MIN. 6" X 6" WHITE MATE-LINE TAPE PATCH CENTERED OVER REPAIR AREA. EDGE OF PATCH MUST EXTEND A MINIMUM OF 3" BEYOND ALL SIDES OF THE PUNCTURE.

3" MIN

NOTES:

1. MUST USE EPDM TAPE PRIMER OR LOW VOC PRIMER WITH ALL EPDM PRODUCTS.
2. APPLY UNIVERSAL SINGLE PLY SEALANT ON ALL SIDES OF 6" X 6" PATCHES. ON LONG STRIPPING OR LARGER PATCHES, APPLY UNIVERSAL SINGLE PLY SEALANT AT CUT ENDS. EXTEND UNIVERSAL SINGLE PLY SEALANT DOWN EDGES 6" ON EACH SIDE.

**MULE-HIDE  
PRODUCTS CO., INC.**

**MEMBRANE / SEAM REPAIR  
WHITE MATE-LINE TAPE  
SYSTEMS:**

**ALL TPO SYSTEMS**

**DETAIL NO.:**

**MHT-UN-104F**

REVISION DATE: 06/2017