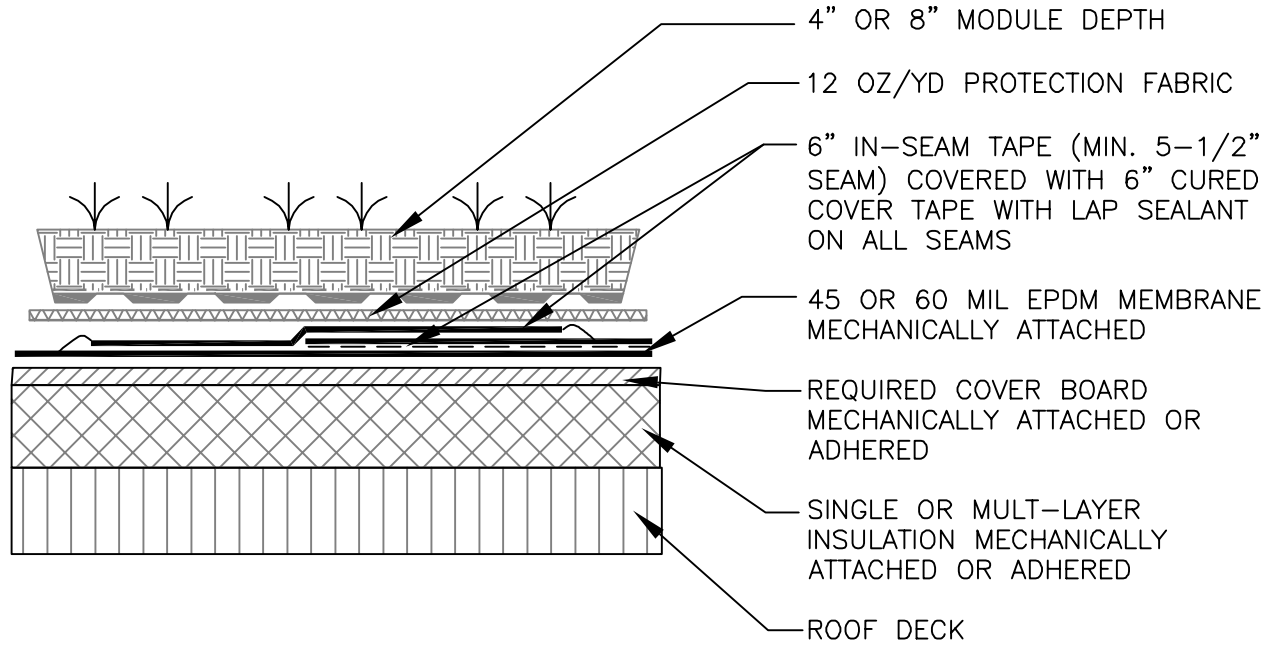
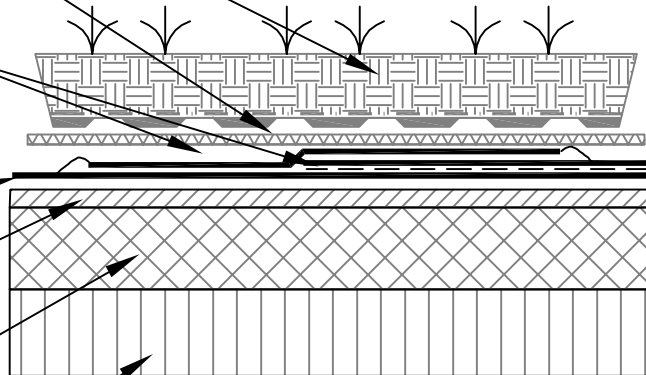


**ASSEMBLY EMA-1**

10 OR 15 YEAR SYSTEM WARRANTY (WITH OR WITHOUT WRAP-AROUND WARRANTY)



- 4" OR 8" MODULE DEPTH
- 12 OZ/YD PROTECTION FABRIC
- 6" IN-SEAM TAPE (MIN. 5-1/2" SEAM) COVERED WITH 6" CURED COVER TAPE WITH LAP SEALANT ON ALL SEAMS
- 60 MIL EPDM MEMBRANE MECHANICALLY ATTACHED
- REQUIRED COVER BOARD (ADHERED ONLY)
- SINGLE OR MULT-LAYER INSULATION MECHANICALLY ATTACHED OR ADHERED
- ROOF DECK



**ASSEMBLY EMA-2**

20 YEAR SYSTEM WARRANTY (WITH OR WITHOUT WRAP-AROUND WARRANTY)

20-YEAR ENHANCEMENTS REQUIRED WITH 60 MIL

**MULE-HIDE PRODUCTS CO., INC.**  
AUGUST 2008

**MULE-HIDE LIVING ROOF APPROVED ROOFING SYSTEMS**  
**SYSTEMS:**  
**EPDM - MECHANICALLY ATTACHED LIVING ROOF ATTACHMENT II**

**DETAIL NO.:**  
**MHGG-02A**