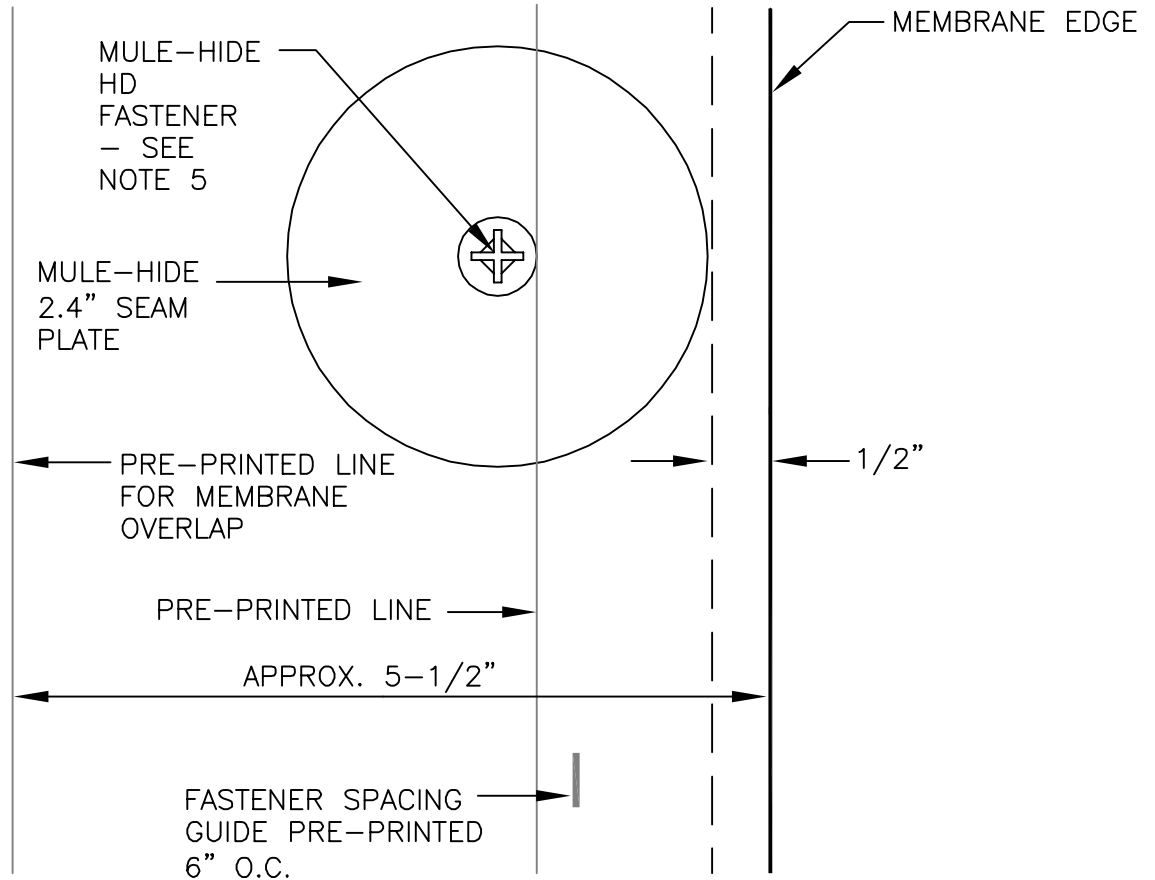


NOTE:

1. DETAILS TO BE USED IN CONJUNCTION WITH STANDARD GUIDE SPECIFICATIONS CONTAINING REQUIREMENTS FOR NAILERS, INSULATION, SLIPSHEETS, ETC.
2. PVC EDGE SEALANT IS REQUIRED ON ALL CUT OR NON-ENCAPSULATED EDGES OF REINFORCED MEMBRANE. THIS INCLUDES FACTORY CUT MEMBRANE.
3. MULE-HIDE HD FASTENERS AND 2.4" SEAM PLATES ARE REQUIRED OVER STEEL, CONCRETE, AND WOOD DECKS. REFER TO SPECIFICATIONS FOR ACCEPTABLE FASTENERS AND PLATES FOR OTHER DECK TYPES.
4. POSITION SEAM FASTENING PLATES BEYOND NON-REINFORCED ENCAPSULATED EDGE.
5. REFER TO MULE-HIDE UPLIFT RATINGS FOR APPROPRIATE FASTENER SIZE AND SPACING.



**MULE-HIDE
PRODUCTS CO., INC.
2010**

**PLATE AND FASTENER PLACEMENT
SYSTEMS:
MECHANICALLY FASTENED PVC**

**DETAIL NO:
MHP-113**