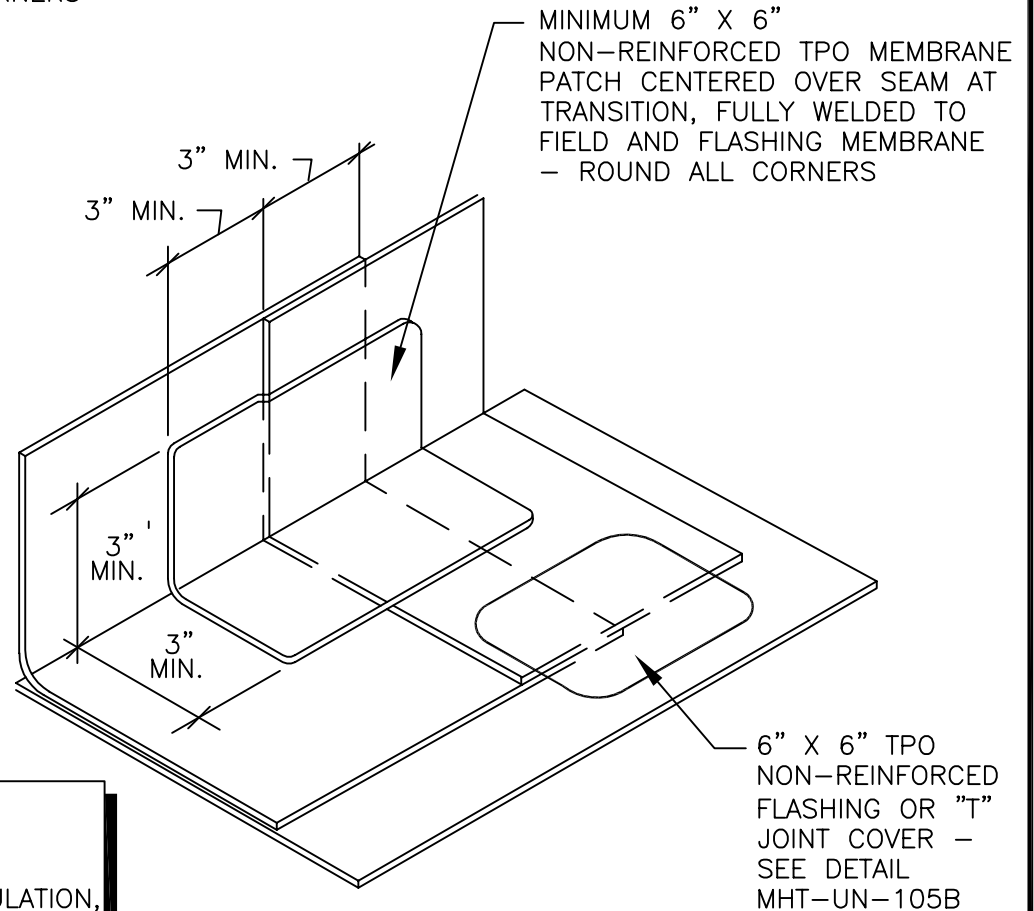


MINIMUM 6" X 6"  
NON-REINFORCED TPO MEMBRANE  
PATCH CENTERED OVER SEAM AT  
TRANSITION, FULLY WELDED TO  
FIELD AND FLASHING MEMBRANE  
- ROUND ALL CORNERS

CONDITION 1 - WHEN RUSS IS USED



MINIMUM 6" X 6"  
NON-REINFORCED TPO MEMBRANE  
PATCH CENTERED OVER SEAM AT  
TRANSITION, FULLY WELDED TO  
FIELD AND FLASHING MEMBRANE  
- ROUND ALL CORNERS

6" X 6" TPO  
NON-REINFORCED  
FLASHING OR "T"  
JOINT COVER -  
SEE DETAIL  
MHT-UN-105B

CONDITION 2 - WHEN RUSS IS NOT USED

NOTES:

1. DETAIL TO BE USED IN CONJUNCTION WITH STANDARD GUIDE SPECIFICATION CONTAINING REQUIREMENTS FOR NAILERS, INSULATION, ETC.
2. FIELD / WALL TRANSITION PATCHES ARE REQUIRED ON ALL JOBS.

**MULE-HIDE  
PRODUCTS CO., INC.**

**SEAM PATCH AT FIELD / WALL TRANSITION**

**SYSTEMS:  
ALL TPO SYSTEMS**

**DETAIL NO.:**

**MHT-UN-105C**

REVISION DATE: 10/2013