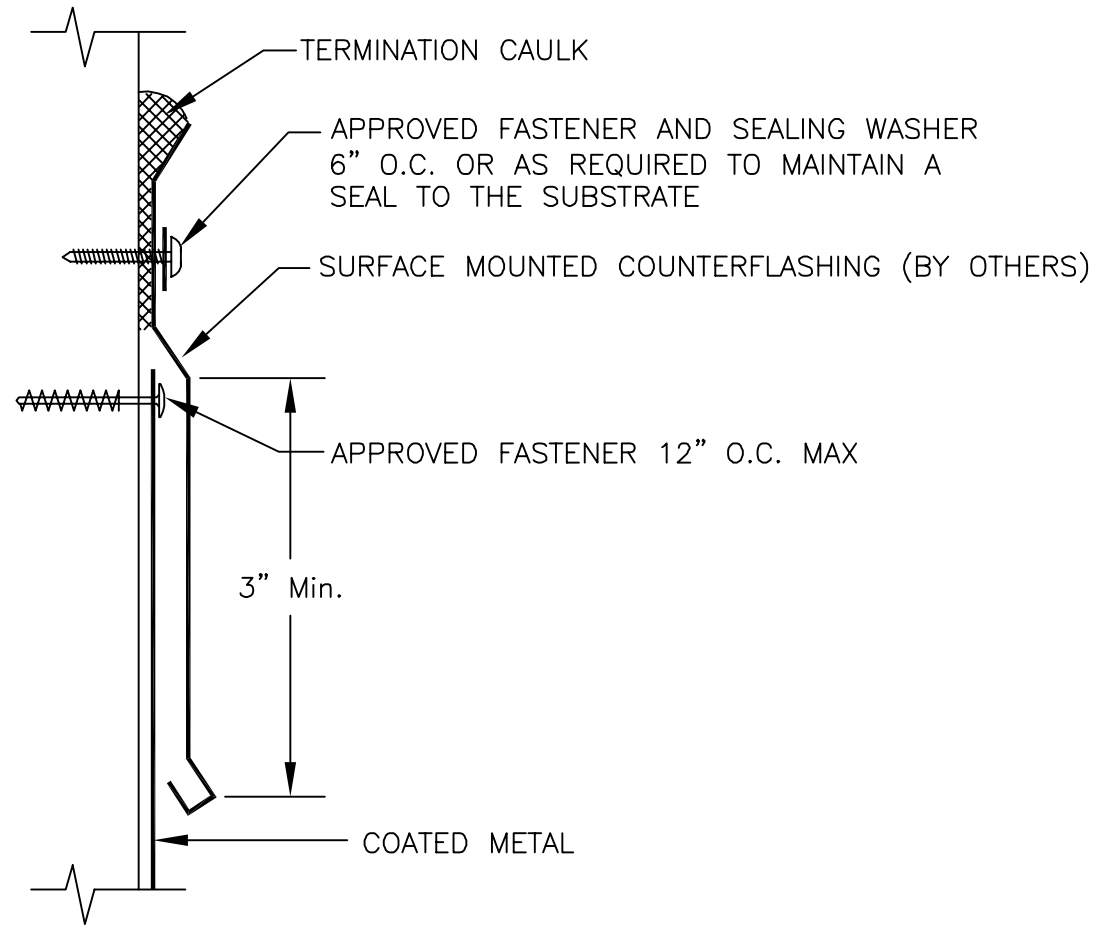


NOTES:

1. DETAILS TO BE USED IN CONJUNCTION WITH STANDARD GUIDE SPECIFICATIONS CONTAINING REQUIREMENTS FOR NAILERS, INSULATION, SLIP SHEETS, ETC.

2. SURFACE MOUNTED COUNTERFLASHING MUST BE INSTALLED TO HARD, SMOOTH NON-POROUS SUBSTRATE.

3. DO NOT APPLY ALL PURPOSE SEALANT OVER ASPHALT OR OTHER MATERIALS THAT WILL PREVENT PROPER ADHESION.



**MULE-HIDE  
PRODUCTS CO., INC.  
04/01/2007**

**SURFACE MOUNTED  
METAL COUNTERFLASHING  
SYSTEMS:  
ALL PVC**

**DETAIL NO:  
MHP-175**