

EPDM

POCKET GUIDE



"The name trusted in roofing since 1906"

Mule Hide Products EPDM Field Installation Guide Mechanically Fastened and Fully Adhered Systems

July 2017

<u>Insulation Attachment</u>	Page
Minimum Fastening Requirements (Fully Adhered)	5
 <u>Mechanically Attached Sheet Layout</u>	
Sheet Fastening Guidelines.....	6
Perimeter Enhancement Requirements	8
Perimeter Sheet Layout (MHE-191)	10
Perimeter Sheet Layout – W/RMS (MHE-192).....	11
Buildings with Large Wall Openings (MHT-MA-103A)	12
Buildings with Overhangs (MHT-MA-103B)	13
Roof Perimeter Calculation (MHT-UN-108A).....	14
Roof Perimeter Calculation (MHT-UN-108B).....	15
 <u>Mechanically Fastened Lap Details</u>	
8" Seam-2" Barbed Plates Adhesive (MHE-112)	16
6" Seam-2" Barbed Plates-6" Tape * (MHE-112A).....	17
6" Seam-A-P 40 Bar-6" Tape * (MHE-112B)	18
7" Seam-A-P Bar-Adhesive (MHE-113)	19
7" Seam-A-P Bar-Tape * (MHE-114)	20
7" Seam-A-P-40 Bar-Tape * (MHE-114A).....	21
 <u>Roof Edge Treatment</u>	
Drip Apron * (MHE-101)	22
Drip Apron/Gutter (MHE-102).....	23
All Purpose Bar * (MHE-103)	24
Ballasted Retainer * – (MHE-104)	25
Gravel Stop "Snap Lock" * (MHE-105)	26
Gravel Stop * (MHE-106).....	27
Gravel Stop "Scupper" (MHE-107).....	28
Drip Edge at Mansard (MHE-108)	29
1-3/4" Metal Fascia System (MHSM-3500)	30
4" Metal Fascia System (MHSM-3510).....	31
Pre-Manufactured Gravel Stop - EPDM (MHE-3130)	32
2-Piece Compression Edge - EPDM (MHE-3110A)	33
2-Piece Compression Edge - EPDM (MHE-3110B)	34
2-Piece Compression Edge - EPDM (MHE-3110C).....	35
2-Piece Compression Edge Large - EPDM (MHE-3115A).....	36
2-Piece Compression Edge Large - EPDM (MHE-3115B).....	37
2-Piece Compression Edge Large - EPDM (MHE-3115C).....	38
Flat Coping with Continuous Cleat (MHSM-6050).....	39
Canted Coping with Continuous Cleat (MHSM-6052).....	40
Snap Coping (MHSM -6054A).....	41
Snap Coping (MHSM -6054B).....	42
Arched Coping with Splice Plate (MHSM-6056)	43
Reglet Counterflashing (MHSM-6130)	44

2-Piece Reglet Counterflashing (MHSM-6145).....	45
Surface Mounted Counterflashing (MHSM-6146).....	46
Gutter Attachment X-Series (MHSM-2091).....	47

Splices/RMS

3" Seam-Adhesive (MHE-110).....	48
3" Seam-3" Tape (MHE-111).....	49
3" Seam-Cover Tape * (MHE-111A).....	50
6" Seam-6" Tape (MHE-111B).....	51
6" Seam-Adhesive (MHE-115).....	52
End Laps and "T" Joints (MHE-118).....	53
RMS Strip – Fastener Layout (MHE-119).....	54
RMS Strip-Tape-Fastener Layout * (MHE-119A).....	55

Parapet/Curb Flashing

A-P Bar-Vertical-Adhesive (MHE-120).....	56
A-P Bar-Vertical-3" Tape (MHE-120A).....	57
A-P Bar-Vertical-Cover Tape * (MHE-120B).....	58
A-P Bar-Vertical-6" Tape * (MHE-120C).....	59
2" Barbed Plates-Vertical-Adhesive (MHE-121).....	60
2" Barbed Plates-Vertical-3" Tape (MHE-121A).....	61
2" Barbed Plates-Vertical- cover Tape * (MHE-121B).....	62
2" Barbed Plates-Vertical-6" Tape * (MHE-121C).....	63
A-P Bar-Horizontal-Adhesive (MHE-122).....	64
A-P Bar-Horizontal-3" Tape (MHE-122A).....	65
A-P Bar-Horizontal-Cover Tape * (MHE-122B).....	66
A-P Bar-Horizontal-6" Tape * (MHE-122C).....	67
2" Barbed Plate-Horizontal-Adhesive (MHE-123).....	68
2" Barbed Plate-Horizontal-3" Tape (MHE-123A).....	69
2" Barbed Plate-Horizontal-Cover Tape* (MHE-123B).....	70
2" Barbed Plate-Horizontal-6" Tape* (MHE-123C).....	71
RMS Strip-Vertical - Tape * (MHE-124A).....	72
RMS Strip-Horizontal-Tape * (MHE-125A).....	73

Drains

Roof Drain * (MHE-130).....	74
Roof Drain – Tapered * (MHE-131).....	75
Roof Drain W/Sump (MHE-132).....	76
Drain Insert (MHE-133).....	77
Through Wall Scupper (MHE-134B).....	78
Through Wall Overflow (MHE-135).....	79

Pipe Flashings

Premolded Pipe Boot-MA Tape * (MHE-140A).....	80
Premolded Pipe Boot Tape * (MHE-140C).....	81
Field Fabricated Pipe-Adhesive (MHE-141).....	82
Field Fabricated Hot Pipe-Adhesive (MHE-142).....	83
Field Fabricated Pitch Pan-Adhesive (MHE-143).....	84
Pourable Sealer Pocket * (MHE-144).....	85

Expansion Joints

Field Joint * (MHE-150)	86
Existing Field Joint "A" (MHE-151)	87
Existing Field Joint "B" (MHE-152)	88
Field Joint – RMS Strip Tape * (MHE-153B)	89
Deck to Wall Joint "A"-RMS -Tape * (MHE-154B)	90
Deck to Wall Joint "B"-RMS -Tape * (MHE-155A)	91
Deck to Wall Joint "C"-Adhesive * (MHE-156A)	92
Deck to Wall Joint "C"-Tape * (MHE-156B)	93
Curb/Firewall-Adhesive (MHE-157A)	94
Curb/Firewall-Tape * (MHE-157B)	95

EPDM Tie-ins

EPDM/BUR-Envelope (MHE-160A)	96
EPDM/BUR-Envelope W/Tape (MHE-160B)	97
EPDM/BUR (Smooth) (MHE-161A)	98
EPDM/BUR (Smooth) W/Tape (MHE-161B)	99
Hot Stripping (MHE-162)	100
EPDM/Shingles - W/RMS & Tape (MHE-163A)	101
EPDM/Shingles - A-P Bar (MHE-164)	102

Vertical Terminations

All Purpose Bar (A-P Bar) (MHE-170)	103
Reglet (MHE-171)	104
Metal Coping (MHE-172)	105
Counter Flashing (MHE-173)	106
Counter Flashing W/A-P Bar * (MHE-174)	107
Stone Coping * (MHE-175)	108

Miscellaneous

Roof Hatch with Foam Rod (MHE-UN-176)	109
Roof Hatch with Counterflashing (MHE-UN-177)	110
Lightning Rod, Vertical (MHE-180)	111
Lightning Rod, Horizontal (MHE-181)	112
Sleeper (MHE-182)	113
Outside Corner * (MHE-183)	114
Inside Corner * (MHE-184)	115
Outside Corner – 1 Piece (MHE-186)	116
Ridge Attachment - RMS (MHE-190)	117

90-Mil EPDM Details

Metal-Era Perma-Tite Edge (MHE-500)	118
Metal-Era Anchor-Tite Edge (MHE-501)	119
Drip Edge (MHE-502)	120
All Purpose Bar at Roof Edge (MHE-503)	121
Membrane Splice ("T" Joint) (MHE-508)	122
Field Fabricated Pipe Seal (MHE-509)	123
Flexible Penetration (MHE-510)	124
Field Fabricated Hot Stack (MHE-511)	125

Premolded Pipe Boot (MHE-512).....	126
Curb Flashing and Outside Corner (MHE-513).....	127
Inside Corner w/ Separate Flashing (MHE-514).....	128
Inside Corner w/ Continuous Flashing (MHE-515).....	129
Outside Corner w/ Uncured Tape (MHE-516).....	130
Pourable Sealer Pocket w/ Hood (MHE-517).....	131
Pourable Sealer Pocket (Double) (MHE-518).....	132
Penetration Curb Detail (MHE-519).....	133
End Lap & "T" Joint Patches (MHE-520).....	134
Wall Flashing w/ End Lap (MHE-521).....	135
Vertical Flashing Terminations (MHE-522).....	136

Insulation Attachment Patterns/Guidelines

Extruded Polystyrene Insulations (MHT-MA-700).....	137
Insulation Attachment Patterns (MHT-MA-701).....	138
Mule-Hide – 8 Field Fasteners (MHT-FA-720).....	139
Mule-Hide – 12 Field Fasteners (MHT-FA-721).....	140
Mule-Hide – 16 Field Fasteners (MHT-FA-722).....	141
Mule-Hide – 17 Field Fasteners (MHT-FA-723).....	142
Factory Mutual – 8 Field Fasteners (MHT-FM-724).....	143
Factory Mutual – 12 Field Fasteners (MHT-FM-725).....	144
Factory Mutual – 16 Field Fasteners (MHT-FM-726).....	145
Factory Mutual – 17 Field Fasteners (MHT-FM-727).....	146
Helix Foam – 4" Bead Spacing (MHHA-UN-4).....	147
Helix Foam – 6" Bead Spacing (MHHA-UN-6).....	148
Helix Foam – 12" Bead Spacing (MHHA-UN-12).....	149

**Fully Adhered EPDM Minimum Insulation Fastening
Requirements
Standard Wind Speed (55 MPH coverage)**

Insulation Type or Overlay	Fasteners per 4' x 8' board		
	Field	Perimeter	Corner
Approved Polyisocyanurate - Min 2" thick (top layer)	8	12	16
Approved Polyisocyanurate - Min 1.5" up to 2" thick	12	18	24
Approved Polyisocyanurate - Min 1.0" up to 1.5" thick	16	24	32
½" HD Poly-Iso - Installed over Approved Insulation	16	24	32
HD Fiberboard - Min 1/2" thick- Installed over Approved Insulation	16	24	32
Dens Deck Prime or Securock - Min 1/4" thick - Installed over Approved Insulation	12	18	24
OSB - Min 7/16" thick - Installed over Approved Insulation	17	25	32
Approved OSB/Polyisocyanurate Composite - Min 2" thick	17	25	32

Mechanically Attached EPDM Minimum Membrane Fastening Requirements

Standard Wind Speed (55 MPH coverage)

Membrane / Adhesive Type / Other (10 or 15 year warranty)

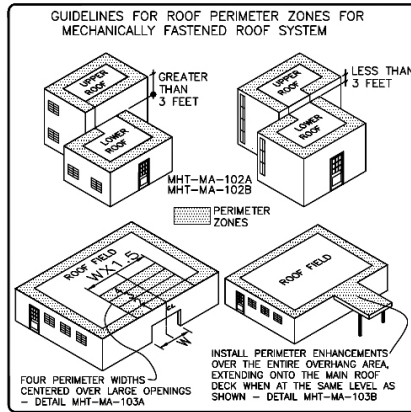
1. 0.045" or 0.060" thick Mule-Hide EPDM Reinforced Black Membranes.
2. Field seams: In-Seam Tape & Primer (6" or two strips of 3")
3. Field seams: Max 10-Year Warranty - Splice Adhesive with Membrane Cleaner/Tape Primer
4. All 'T' joints overlaid with EPDM uncured flashing tape.

Membrane / Adhesive Type / Other (20 year warranty)

1. 0.060" thick Mule-Hide EPDM Reinforced Membrane
2. Field seams: 6" In-Seam Tape & Primer
3. RMS and Tape Primer must be used at base of all parapet walls.
4. All 'T' joints overlaid with T-joint covers or EPDM uncured flashing tape.
5. Inside and outside corners:
 - Mule-Hide Pre-Cut Inside/Outside corners
 - Mule-Hide EPDM uncured flashing tape – minimum 9" x 9"

Roof Deck	Roof Height	Width of Field Sheet	Fastener Spacing
Steel Roof Decks			
Steel Min 22 gauge	Up to 50'	10'	6" oc
		8'	12" oc
Steel – Less than 22 gauge	Up to 50'	Pull test required Contact Mule-Hide for additional Information	
Wood Roof Decks			
2X Plank ¾" Plywood	Up to 50'	10'	6" oc
		8'	12" oc
5/8" Plywood	Up to 50'	10'	6" oc
		8'	12" oc
½" Plywood 1X Plank	Up to 50'	10'	6" oc
		8'	6" oc
OSB	Up to 50'	Contact Mule-Hide Technical Department prior to starting work	
Structural Concrete Roof Decks			
2500 psi 2" Min Pour or Precast	Up to 50'	10'	6" oc

Perimeter Enhancement Requirements Mechanically Attached System With 55-MPH Wind Speed Coverage



Limitations	
Contact Mule-Hide for all projects requiring specific Factory Mutual or Building Code compliance such as Florida Product Approval, Texas Department of Insurance, etc.	For buildings 100 ft. or less in height, located in urban, rural or suburban exposure areas. Not applicable for coastal or high wind areas. Maximum design wind speed of 100-MPH.
Building Height	Minimum Perimeter
0 - 34 ft	1 Perimeter sheet (1)(2)
	1 Perimeter enhancement width (3)
35 - 100 ft	2 Perimeter sheets (1)(2) (wind zones up to 100 mph)
	2 Perimeter Enhancement Widths (2) (wind zones up to 100 mph)
Higher than 100 ft. or higher wind zones.	Contact Mule-Hide Tech. Dept.
Projects in exposure D category (coastal areas)	Contact Mule-Hide Tech. Dept.
Roof edges along interior walls or roof edges with 8 ft. or higher walls. (Walls extend above the roof level)	No perimeter enhancement required

FM Approval

For buildings where FM approved securement is required and for buildings that do not meet the "Limitations" stated above.

Install perimeter enhancements throughout the corner/perimeter areas of the roof. The width of these areas is determined by the lesser of the following two calculations:

- a. $0.1 \times \text{the building width} =$
- or
- b. $0.4 \times \text{the building height} =$

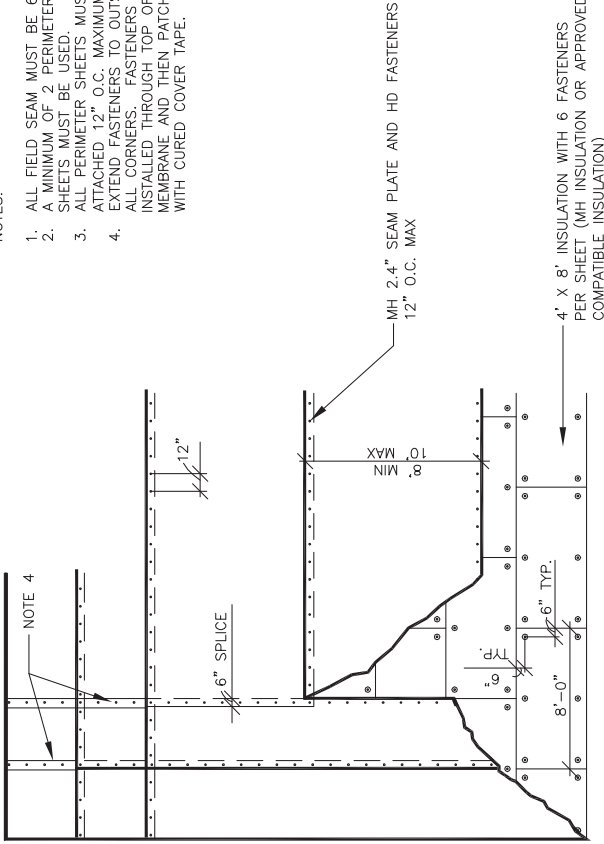
In no event shall the perimeter/corners be less than 4ft.

Notes:

1. When using Mule-Hide standard sheet widths:
 - 8' wide field sheets use 9" RMS no less than 4' no larger than 4'9"
 - 10' wide field sheets use 9" RMS no less than 5' no more than 6'
2. If the contractor elects to cut perimeter sheets from scrap membrane, the perimeter sheet dimension MUST be as follows:
 - 8' wide field sheet – no less than 4' wide to no larger than 4'-9" wide perimeter sheet
 - 10' wide field sheet – no less than 5' wide to no more than 6' wide perimeter sheet c.
3. Perimeter enhancement widths are used when the 10" RUSS and/or plates/fasteners through the membrane methods are utilized for perimeters.

NOTES:

1. ALL FIELD SEAM MUST BE 6" WIDE.
2. A MINIMUM OF 2 PERIMETER SHEETS MUST BE USED.
3. ALL PERIMETER SHEETS MUST BE ATTACHED 12" O.C. MAXIMUM.
4. EXTEND FASTENERS TO OUTSIDE AT ALL CORNERS. FASTENERS MAY BE INSTALLED THROUGH TOP OF MEMBRANE AND THEN PATCHED WITH CURED COVER TAPE.



**MULE-HIDE
PRODUCTS CO., INC.**
2010

PERIMETER SHEET ATTACHMENT

**SYSTEMS:
MECHANICALLY ATTACHED**

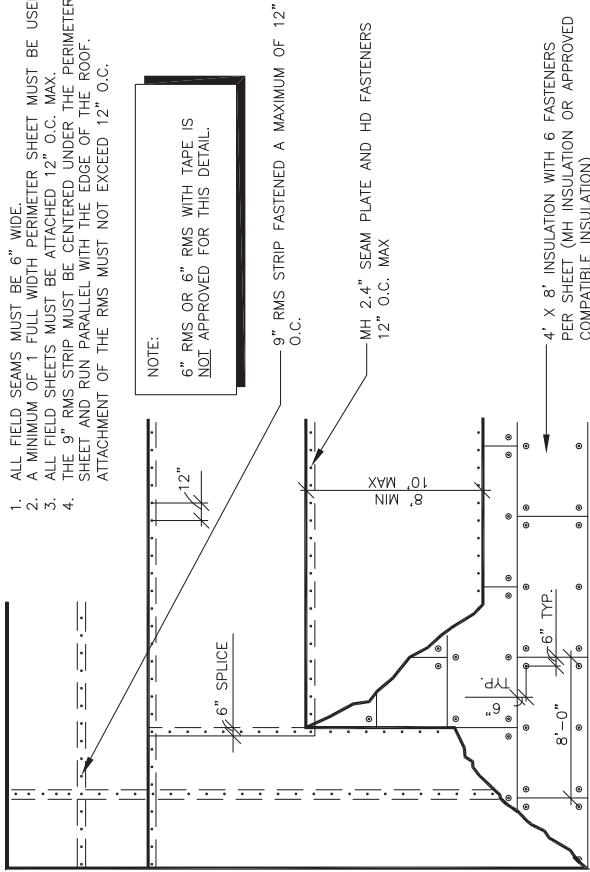
DETAIL NO.:

MHE-191

NOTES:

1. ALL FIELD SEAMS MUST BE 6" WIDE.
2. A MINIMUM OF 1 FULL WIDTH PERIMETER SHEET MUST BE USED.
3. ALL FIELD SHEETS MUST BE ATTACHED 12" O.C. MAX.
4. THE 9" RMS STRIP MUST BE CENTERED UNDER THE PERIMETER SHEET AND RUN PARALLEL WITH THE EDGE OF THE ROOF. ATTACHMENT OF THE RMS MUST NOT EXCEED 12" O.C.

NOTE:
6" RMS OR 6" RMS WITH TAPE IS NOT APPROVED FOR THIS DETAIL.



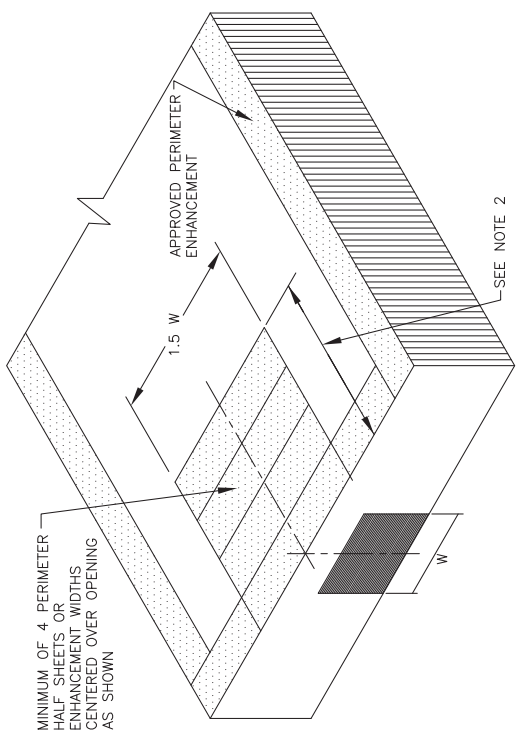
**PERIMETER ENHANCEMENT
FULL SHEET WITH 9" RMS
SYSTEMS:
MECHANICALLY ATTACHED**

DETAIL NO.:
MHE-192
REVISION DATE: 11/2014

**MULE-HIDE
PRODUCTS CO., INC.**

NOTES:

1. WHEN ANY WALL CONTAINS MAJOR OPENINGS WITH A COMBINED AREA WHICH EXCEEDS 10% OF THE TOTAL WALL AREA ON WHICH THE OPENINGS ARE LOCATED, A MINIMUM OF 4 PERIMETER HALF SHEETS OR ENHANCEMENT WIDTHS MUST BE CENTERED OVER THE OPENING.
2. THE DEPTH OF THE PERIMETER ENHANCEMENT MUST BE A MINIMUM OF 2.5 TIMES THE WIDTH OF THE OPENING OR 4 PERIMETER HALF SHEETS/ENHANCEMENT WIDTHS, WHICHEVER IS LARGER.
3. AS AN OPTION, AN ADHERED MEMBRANE SECTION MAY BE USED IN LIEU OF THE MECHANICALLY FASTENED MEMBRANE AT LARGE OPENINGS IN ACCORDANCE WITH THE MULE-HIDE FULLY ADHERED TPO ROOF SYSTEM SPECIFICATION.
4. REFER TO TECHNICAL BULLETIN #TPO-MA02-2006 FOR PERIMETER ENHANCEMENT REQUIREMENTS.



MINIMUM OF 4 PERIMETER HALF SHEETS OR ENHANCEMENT WIDTHS CENTERED OVER OPENING AS SHOWN

SHEET LAYOUT ON BUILDINGS WITH LARGE OPENINGS SYSTEMS:

MECHANICALLY ATTACHED

DETAIL NO.:

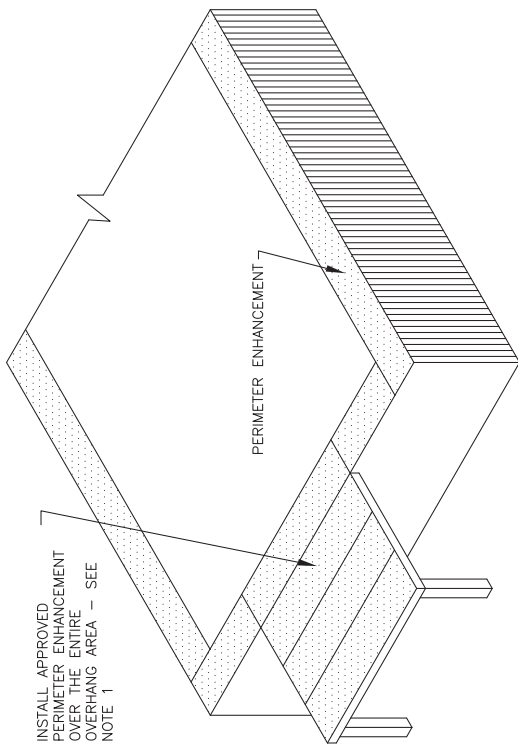
MHT-MA-103A

REVISION DATE: 10/2013

MULE-HIDE PRODUCTS CO., INC.

NOTES:

1. THE MEMBRANE MUST BE SPECIFIED WITH PERIMETER ENHANCEMENT INSTALLED OVER THE ENTIRE OVERHANG AREA. WHEN THE OVERHANG IS AT THE SAME LEVEL AS THE MAIN ROOF, EXTEND THE PERIMETER ENHANCEMENT ONTO THE MAIN ROOF LEVEL AS SHOWN.
2. AS AN OPTION, AN ADHERED MEMBRANE SECTION MAY BE USED IN LIEU OF THE MECHANICALLY FASTENED MEMBRANE AT BUILDING OVERHANGS IN ACCORDANCE WITH THE MULE-HIDE FULLY ADHERED TPO ROOF SYSTEM SPECIFICATION.
3. REFER TO TECHNICAL BULLETIN #TPO-MA02-2006 FOR PERIMETER ENHANCEMENT REQUIREMENTS.



SHEET LAYOUT ON BUILDINGS WITH OVERHANGS SYSTEMS:

MECHANICALLY ATTACHED

DETAIL NO.:

MHT-MA-103B

REVISION DATE: 10/2013

MULE-HIDE PRODUCTS CO., INC.

NOTES:

1. WHERE MULTI-LEVEL ROOFS MEET AT A COMMON WALL AND THE DIFFERENCE IN HEIGHT IS LESS THAN 3 FT., THE ROOF STRIP OF THE UPPER ROOF AND THE ROOF STRIP OF THE LOWER ROOF ARE EACH TREATED AS FIELD AREAS, EXCEPT FOR THE SQUARE AREAS AT EACH END, WHICH ARE TREATED AS PERIMETER AREAS.
2. FOR FACTORY MUTUAL PROJECTS, THE WIDTH OF THE ROOF PERIMETER AND CORNER AREAS IS DEFINED AS THE SMALLER OF 0.1 TIMES THE BUILDING LESSER PLAN DIMENSION OR 0.4 TIMES THE EAVE HEIGHT (MEAN ROOF HEIGHT FOR SLOPES GREATER THAN 2"/12" SLOPE), EXCEPT FOR HEIGHTS GREATER THAN 60 FT.
3. ROOF PERIMETER

MECHANICALLY ATTACHED SYSTEMS
 DISTANCE BETWEEN ROWS IS LESS THAN OR EQUAL TO 60% OF THE APPROVED ROOF FIELD SPACING OF THE FASTENER ROWS.

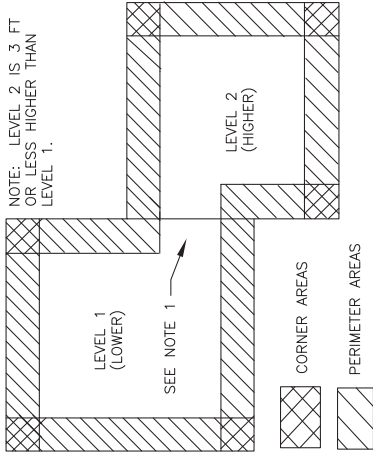
FULLY ADHERED SYSTEMS
 ALL ROOF PERIMETER DIMENSIONS ARE TO BE A MINIMUM OF EIGHT (8) FEET AND INSULATION FASTENERS ARE INCREASED 50%.

4. ROOF CORNERS

MECHANICALLY ATTACHED SYSTEMS
 DISTANCE BETWEEN ROWS IS LESS THAN OR EQUAL TO 40% OF THE APPROVED ROOF FIELD SPACING OF THE FASTENER ROWS.

FULLY ADHERED SYSTEMS
 ALL ROOF CORNER DIMENSIONS ARE TO BE A MINIMUM OF EIGHT (8) FEET BY EIGHT (8) FEET AND INSULATION FASTENERS ARE INCREASED 100%.

5. INCREASED FASTENING IN THE PERIMETERS AND CORNERS IS REQUIRED ON ALL WARRANTED JOBS, BOTH MECHANICALLY ATTACHED AND FULLY ADHERED.



**ROOF PERIMETER / CORNER CALCULATION
 ELEVATION DIFFERENCE 3' OR LESS
 SYSTEMS:**

ALL TPO SYSTEMS

DETAIL NO.:

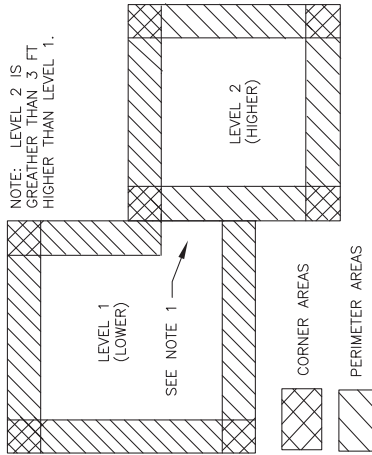
MHT-UN-108A

REVISION DATE: 10/2013

**MULE-HIDE
 PRODUCTS CO., INC.**

NOTES:

1. WHERE MULTI-LEVEL ROOFS MEET AT A COMMON WALL AND THE DIFFERENCE IN HEIGHT IS GREATER THAN 3 FT, THE EDGE OF THE UPPER ROOF IS TREATED AS ROOF PERIMETER AND CORNERS. THE LOWER ROOF STRIP WHERE IT MEETS A HIGHER WALL IS TREATED AS FIELD AREA, EXCEPT FOR THE SQUARE AREAS AT EACH END WHICH ARE TREATED AS PERIMETER AREAS.
2. FOR FACTORY MUTUAL PROJECTS, THE WIDTH OF THE ROOF PERIMETER AND CORNER AREAS IS DEFINED AS THE SMALLER OF 0.1 TIMES THE BUILDING LESSER PLAN DIMENSION OR 0.4 TIMES THE EAVE HEIGHT (MEAN ROOF HEIGHT FOR SLOPES GREATER THAN 2"/12" SLOPE), EXCEPT FOR HEIGHTS GREATER THAN 60 FT.
3. ROOF PERIMETER
 MECHANICALLY ATTACHED SYSTEMS
 DISTANCE BETWEEN ROWS IS LESS THAN OR EQUAL TO 60% OF THE APPROVED ROOF FIELD SPACING OF THE FASTENER ROWS.
 FULLY ADHERED SYSTEMS
 ALL ROOF PERIMETER DIMENSIONS ARE TO BE A MINIMUM OF EIGHT (8) FEET AND INSULATION FASTENERS ARE INCREASED 50%.
4. ROOF CORNERS
 MECHANICALLY ATTACHED SYSTEMS
 DISTANCE BETWEEN ROWS IS LESS THAN OR EQUAL TO 40% OF THE APPROVED ROOF FIELD SPACING OF THE FASTENER ROWS.
 FULLY ADHERED SYSTEMS
 ALL ROOF CORNER DIMENSIONS ARE TO BE A MINIMUM OF EIGHT (8) FEET BY EIGHT (8) FEET AND INSULATION FASTENERS ARE INCREASED 100%.
5. INCREASED FASTENING IN THE PERIMETERS AND CORNERS IS REQUIRED ON ALL WARRANTED JOBS, BOTH MECHANICALLY ATTACHED AND FULLY ADHERED.



ROOF PERIMETER / CORNER CALCULATION
 ELEVATION DIFFERENCE GREATER THAN 3'

SYSTEMS:

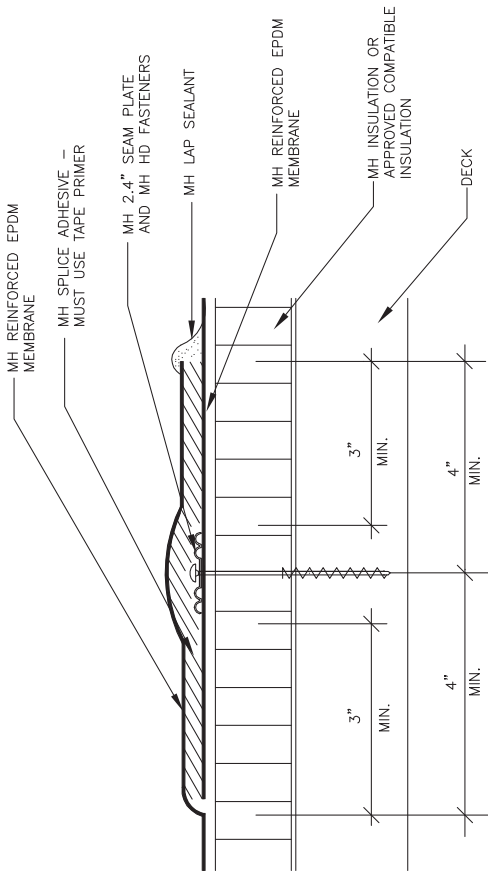
ALL TPO SYSTEMS

DETAIL NO.:

MHT-JUN-108B

REVISION DATE: 10/2013

**MULE-HIDE
 PRODUCTS CO., INC.**



NOTE:

MULE-HIDE TAPE PRIMER MUST BE USED PRIOR TO APPLICATION OF SPLICE ADHESIVE. FOLLOW PROCEDURE IN MANUAL.

THIS DETAIL IS NOT ACCEPTABLE FOR A 15 OR 20 YEAR WARRANTY.

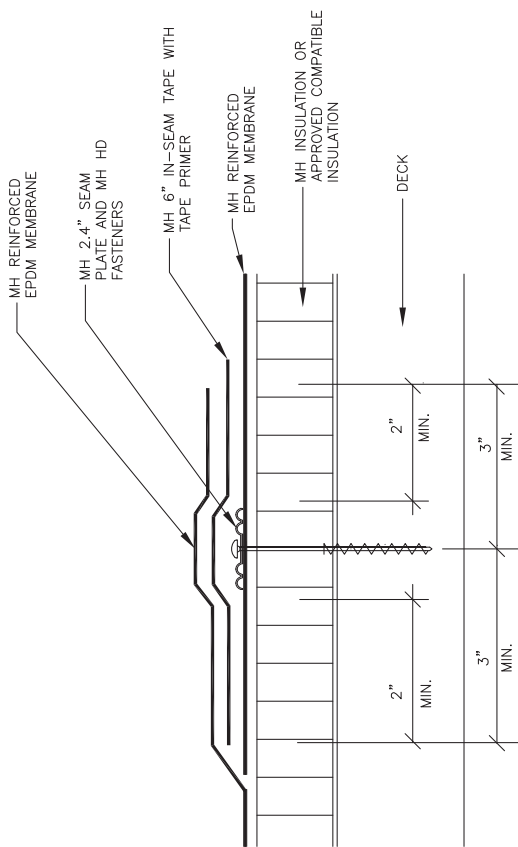
**MULE-HIDE
PRODUCTS CO., INC.
2010**

**MEMBRANE SPLICE W/2.4" SEAM PLATE
8" SEAM**

**SYSTEMS:
MECHANICALLY ATTACHED
REINFORCED EPDM**

DETAIL NO.:

MHE-112



NOTE:

MULE-HIDE TAPE PRIMER MUST BE USED PRIOR TO APPLICATION OF IN-SEAM TAPE. FOLLOW PROCEDURE IN MANUAL.

THIS DETAIL IS ACCEPTABLE FOR USE IN A 20-YEAR WARRANTED SYSTEM.

**MULE-HIDE
PRODUCTS CO., INC.**

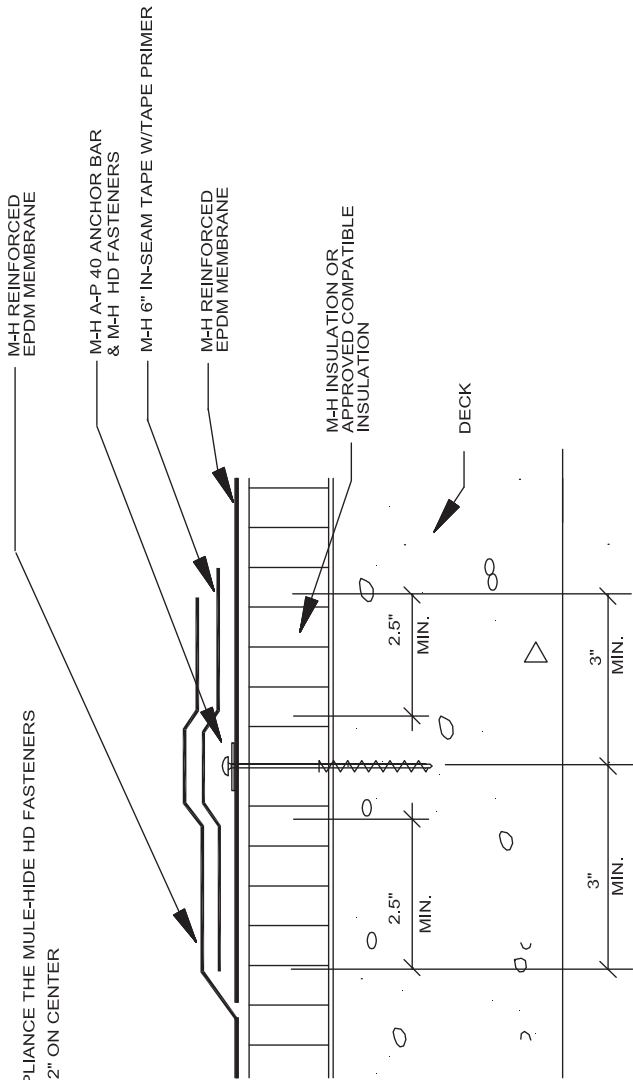
**MEMBRANE SPLICE W/6" TAPE AND
2.4" SEAM PLATE - 6" WIDE SEAM
SYSTEMS:
MECHANICALLY ATTACHED
REINFORCED EPDM**

DETAIL NO.:

MHE-112A

REVISION DATE: 11/2016

FOR FM 1-135 COMPLIANCE THE MULE-HIDE HD FASTENERS
MUST BE SPACED 12" ON CENTER



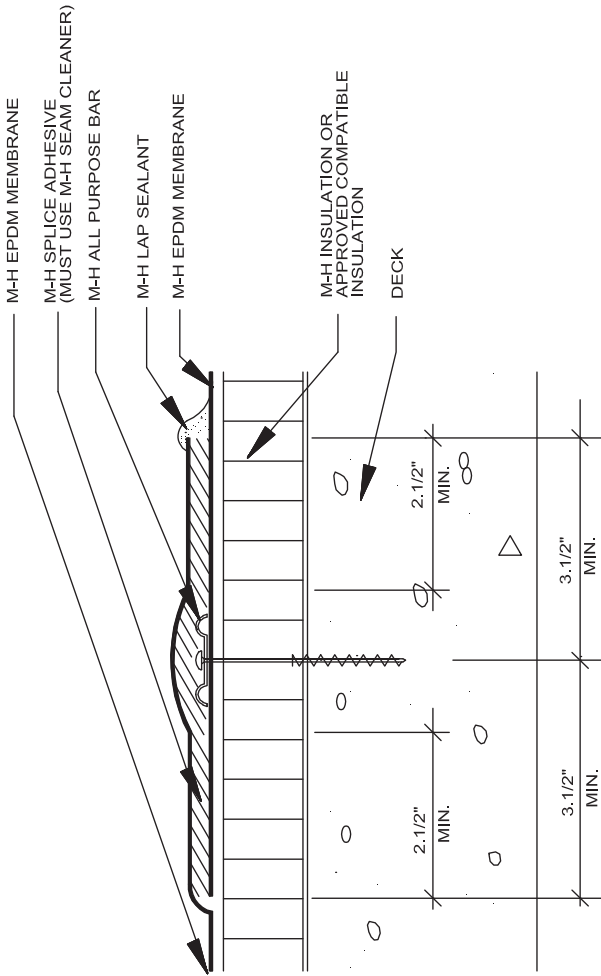
MEMBRANE SPLICE W/ 6" TAPE
A-P 40 ANCHOR BAR
6" WIDE SEAM

SYSTEMS: MECHANICALLY
ATTACHED REINFORCED
MEMBRANE ONLY

DETAIL NO.:

MHE-112B

**MULE-HIDE
PRODUCTS CO., INC.
04/01/2004**

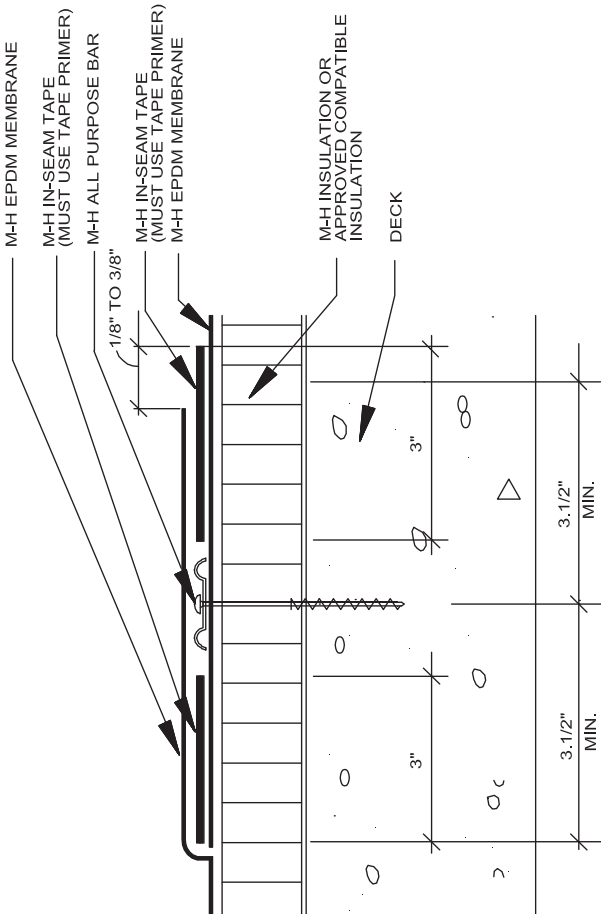


**MULE-HIDE
PRODUCTS CO., INC.
04/01/2004**

MEMBRANE SPLICE, ALL-PURPOSE BAR WITH ADHESIVE - 7" SEAM

SYSTEMS:
MECHANICALLY ATTACHED

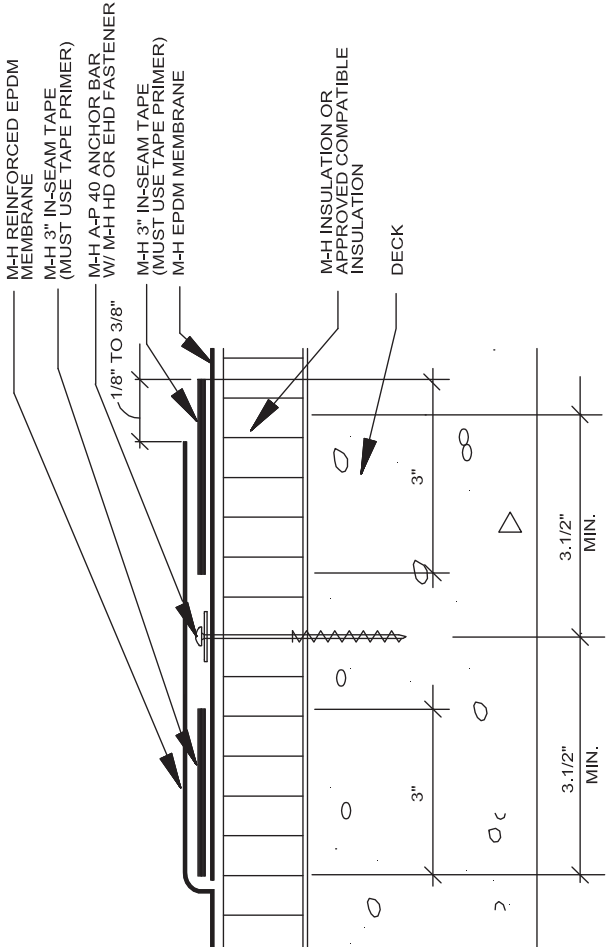
DETAIL NO.:
MHE-113



**MULE-HIDE
PRODUCTS CO., INC.
04/01/2004**

MEMBRANE SPLICE, ALL-
PURPOSE BAR WITH
IN-SEAM TAPE - 7" SEAM
SYSTEMS:
MECHANICALLY ATTACHED

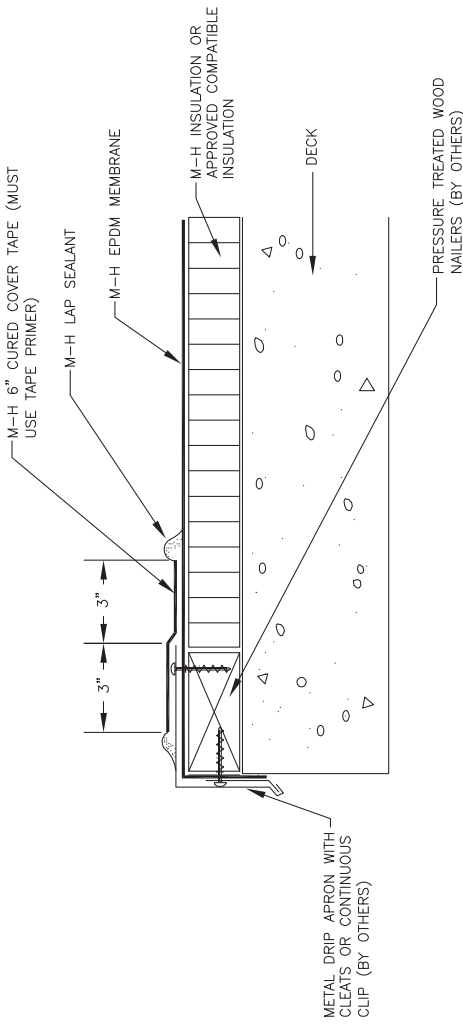
DETAIL NO.:
MHE-114



DETAIL NO.:
MHE-114a

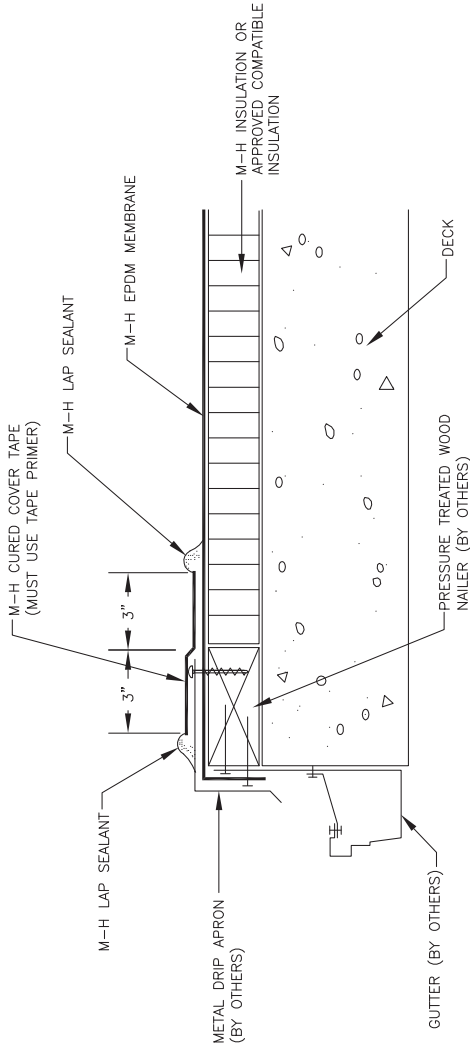
MEMBRANE SPLICE, A-P 40
 ANCHOR BAR WITH
 IN-SEAM TAPE - 7" SEAM
 SYSTEMS:
 MECHANICALLY ATTACHED

**MULE-HIDE
 PRODUCTS CO., INC.**
04/01/2004



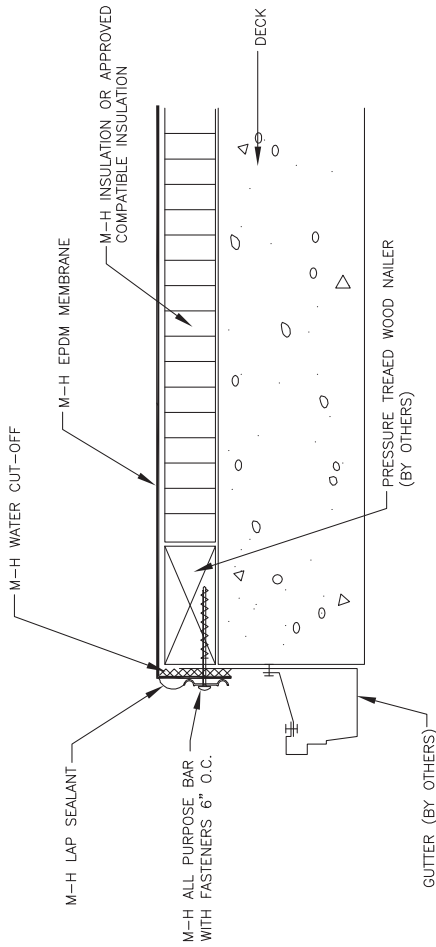
NOTE:
 THIS DETAIL IS ACCEPTABLE FOR USE IN
 A 20-YEAR WARRANTED SYSTEM

<p>MULE-HIDE PRODUCTS CO., INC. 12/01/2008</p>	<p>DRIP APRON TERMINATION SYSTEMS: ADHERED & MECHANICALLY ATTACHED</p>	<p>DETAIL NO.: MHE-101</p>
---	---	---



NOTE:
 WOOD NAILERS ARE NOT REQUIRED TO BE PRESSURE TREATED ON NEW CONSTRUCTION
 THIS DETAIL IS NOT APPROVED FOR USE IN A 20-YEAR WARRANTED SYSTEM

MULE-HIDE PRODUCTS CO., INC. 12/01/2008	DRIP APRON/GUTTER TERMINATION SYSTEMS: ADHERED & MECHANICALLY ATTACHED	DETAIL NO.: MHE-102

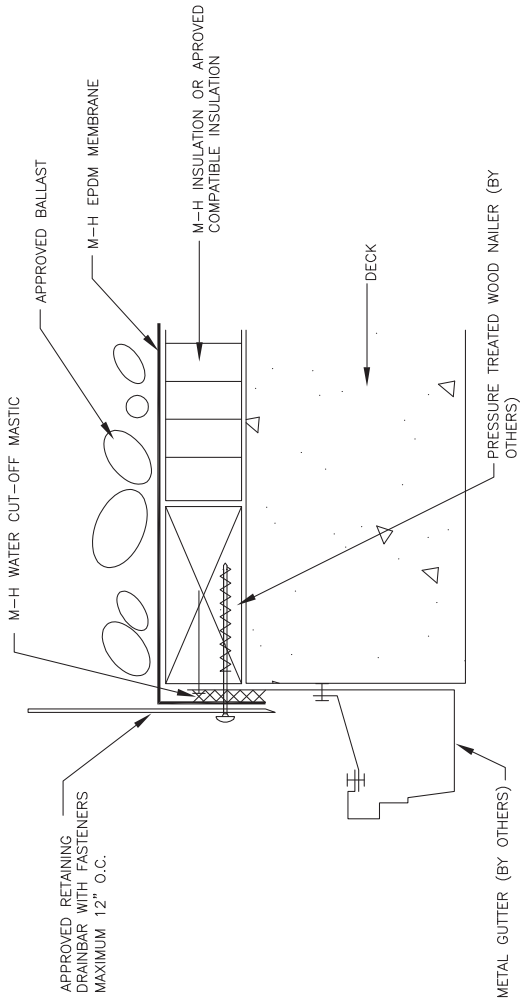


NOTE:
 THIS DETAIL IS ACCEPTABLE FOR USE IN
 A 20-YEAR WARRANTED SYSTEM

MULE-HIDE
PRODUCTS CO., INC.
 12/01/2008

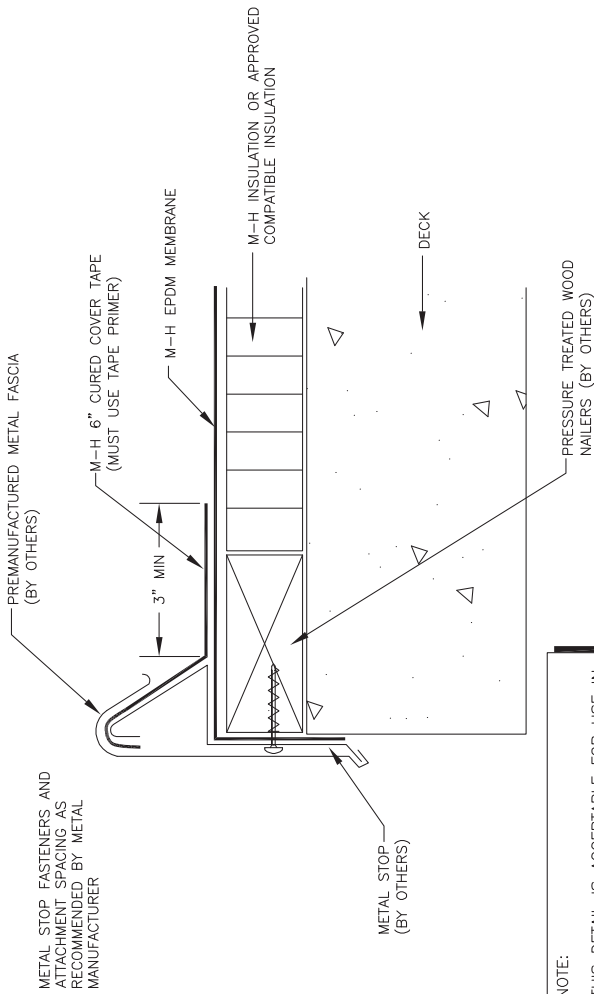
ALL PURPOSE BAR
TERMINATION
SYSTEMS:
SDHERED &
MECHANICALLY ATTACHED

DETAIL NO.:
MHE-103



NOTE:
 THIS DETAIL IS ACCEPTABLE FOR USE IN
 A 20-YEAR WARRANTED SYSTEM

MULE-HIDE PRODUCTS CO., INC. 12/01/2008	BALLAST RETAINER BAR SYSTEMS: BALLAST ONLY	DETAIL NO.: MHE-104

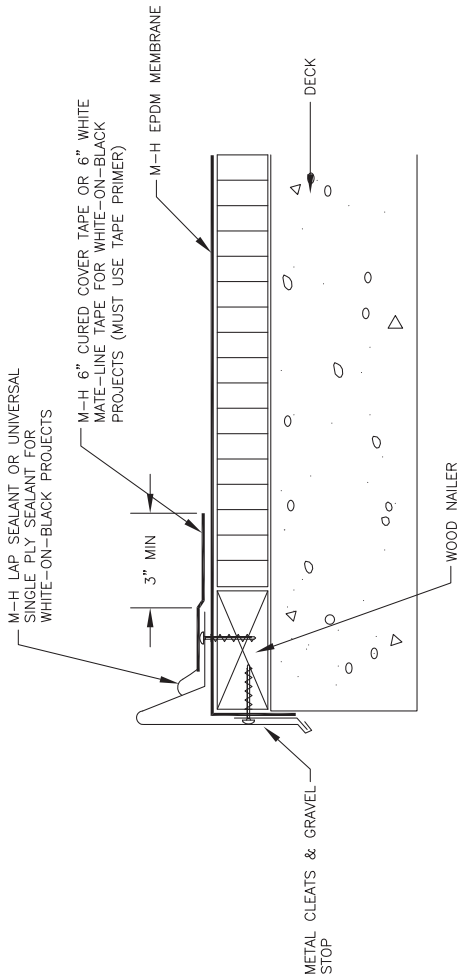


NOTE:
 THIS DETAIL IS ACCEPTABLE FOR USE IN
 A 20-YEAR WARRANTED SYSTEM

MULE-HIDE
PRODUCTS CO., INC.
 12/01/2008

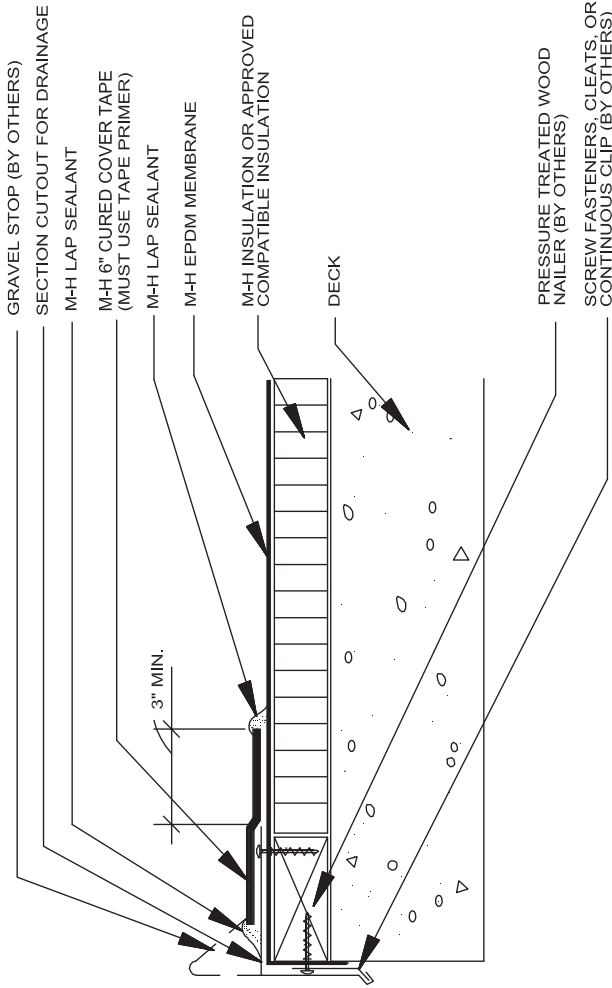
GRAVEL STOP
WITH SNAP LOCK FASCIA
SYSTEMS:
ALL

DETAIL NO.:
MHE-105



NOTE:
 THIS DETAIL IS ACCEPTABLE FOR USE IN
 A 20-YEAR WARRANTED SYSTEM

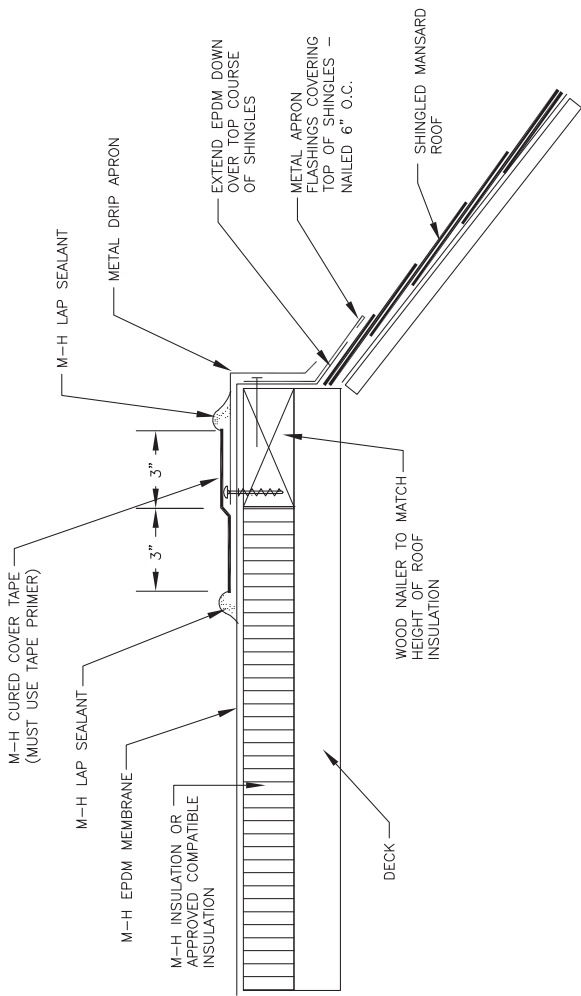
<p>MULE-HIDE PRODUCTS CO., INC.</p>	<p>GRAVEL STOP TERMINATION SYSTEMS: ALL</p>	<p>DETAIL NO.: MHE-106 REVISION DATE: 08/2016</p>
---	---	---



**MULE-HIDE
PRODUCTS CO., INC.
04/01/2004**

GRAVEL STOP
WITH SCUPPER
SYSTEMS:
ALL

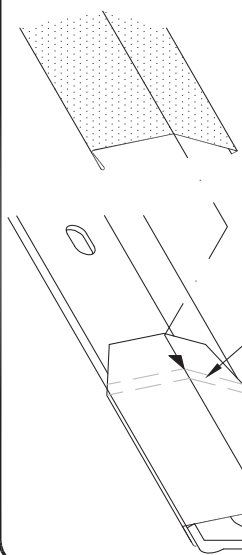
DETAIL NO.:
MHE-107



MULE-HIDE PRODUCTS CO., INC. 03/11/2011	DRIP EDGE AT MANSARD SYSTEMS: FULLY ADHERED	DETAIL NO.: MHE-108

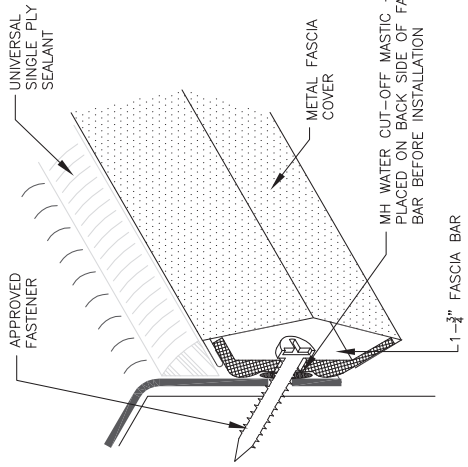
NOTE:

THIS DETAIL QUALIFIES TO BE INCLUDED IN ANY MULE-HIDE LABOR AND MATERIAL WARRANTY



ALLOW FOR AN 1/8" GAP FOR EXPANSION AND CONTRACTION. EXPANSION TAB MUST INSTALL BENEATH THE NEXT INSTALLED PIECE.

HOOK ON BOTTOM AND PIVOT UP INTO PLACE—SNAP HEM ON TOP



NOTES:

1. JOINTS ON THE FASCIA BAR MUST BE OFFSET BY A MINIMUM OF 12" FROM THE JOINTS IN THE FASCIA COVER.
2. THE FASCIA BAR MUST BE FASTENED 6" ON CENTER.
3. USE STAINLESS STEEL FASTENERS WHEN ATTACHING INTO ACQ TREATED WOOD.

MULE-HIDE PREMANUFACTURED
1-3/4" METAL FASCIA SYSTEM
SYSTEMS:

ALL SYSTEMS

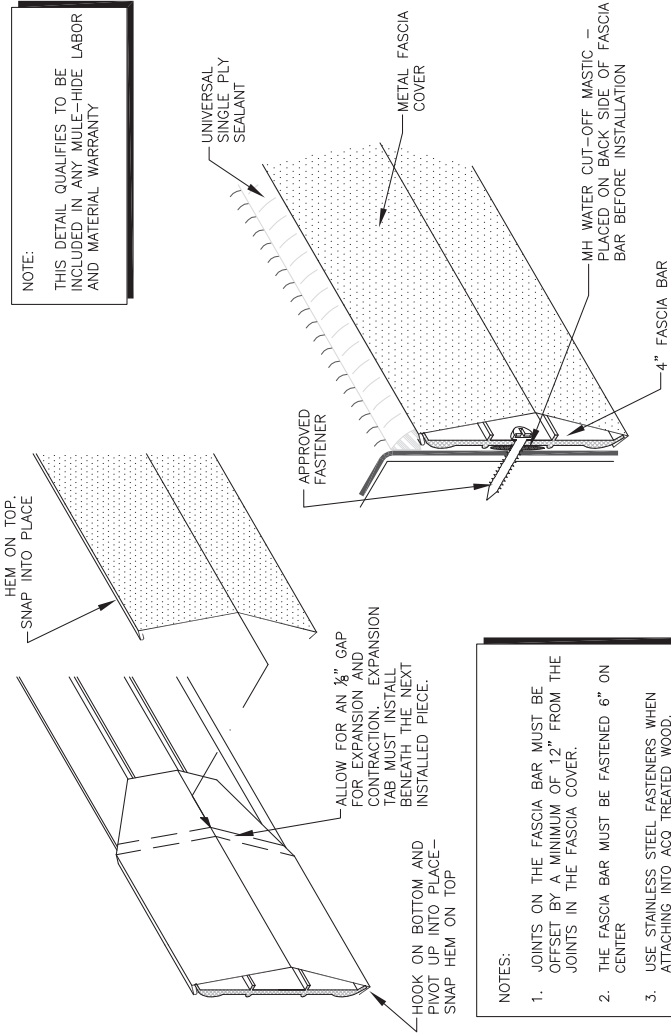
DETAIL NO.:

MHSM-3500

REVISION DATE: 01/2013

**MULE-HIDE
PRODUCTS CO., INC.**

NOTE:
THIS DETAIL QUALIFIES TO BE INCLUDED IN ANY MULE-HIDE LABOR AND MATERIAL WARRANTY



- NOTES:**
1. JOINTS ON THE FASCIA BAR MUST BE OFFSET BY A MINIMUM OF 12" FROM THE JOINTS IN THE FASCIA COVER.
 2. THE FASCIA BAR MUST BE FASTENED 6" ON CENTER
 3. USE STAINLESS STEEL FASTENERS WHEN ATTACHING INTO ACQ TREATED WOOD.

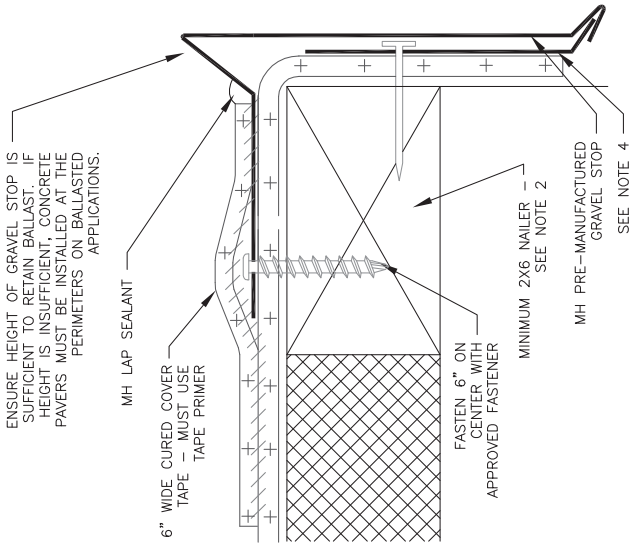
MULE-HIDE PRODUCTS CO., INC.	MULE-HIDE PREMANUFACTURED 4" METAL FASCIA SYSTEM SYSTEMS:	DETAIL NO.: MHSM-3510
	ALL SYSTEMS	REVISION DATE: 01/2013

NOTES:

1. AN OVERLAP OF 1½" WILL BE REQUIRED BETWEEN SECTIONS OF MEMBRANE COATED METAL. A BEAD OF SEALANT IS REQUIRED IN EACH OVERLAP.
2. A WOOD NAILER IS REQUIRED. TOP OF WOOD NAILER TO BE FLUSH WITH TOP OF INSULATION. CUSTOM GRAVEL STOP PROFILES MUST HAVE MULE-HIDE APPROVAL TO ENSURE PROPER NAILER WIDTH IS INSTALLED.
3. GRAVEL STOP MUST BE FASTENED 6" ON CENTER.
4. A CLEAT MUST BE INSTALLED ON ALL DRIP EDGE WITH A FACE OF 4" OR GREATER. CLEAT MUST BE FASTENED 6" ON CENTER. ALL FASTENERS ON THE CLEAT MUST BE WITHIN 1-¾" OF THE BOTTOM EDGE.
5. USE STAINLESS STEEL FASTENERS WHEN ATTACHING INTO ACQ TREATED WOOD.

NOTE:

THIS DETAIL QUALIFIES TO BE INCLUDED IN ANY MULE-HIDE LABOR AND MATERIAL WARRANTY ONLY IF THE FORMED DRIP EDGE AND CLEATS ARE MANUFACTURED BY MULE-HIDE.



MULE-HIDE PREMANUFACTURED
GRAVEL STOP EDGE
SYSTEMS:
ALL EPDM SYSTEMS

DETAIL NO.:
MHE-3130

REVISION DATE: 01/2013

**MULE-HIDE
PRODUCTS CO., INC.**

NOTES:

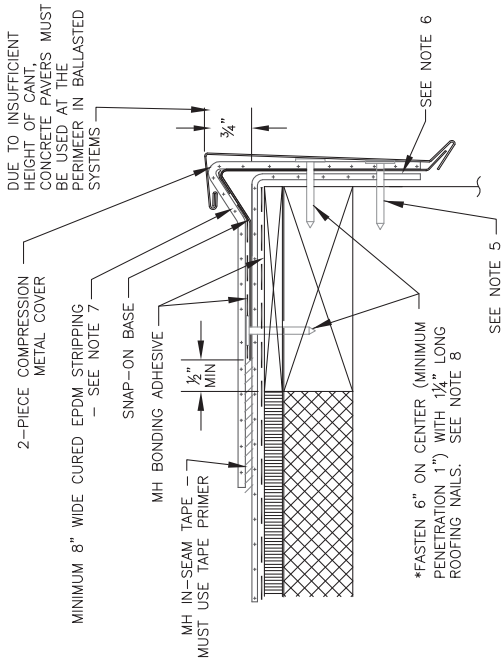
1. THE USE OF THIS DETAIL IS NOT TO EXCEED A 2" PER 12" SLOPE.
2. A WOOD NAILER IS REQUIRED. TOP OF WOOD NAILER IS TO BE FLUSH WITH TOP OF INSULATION. BE SURE THAT THE WOOD NAILER EXTENDS AT LEAST 1/2" BEYOND THE HORIZONTAL EDGE OF THE SNAP-ON BASE.
3. THE FASTENERS USED TO ATTACH THE BASE TO WOOD NAILERS, AND THE MEMBRANE TO THE FACE OF THE NAILERS, MUST BE SPACED NO GREATER THAN 6" ON CENTER.
4. ALLOW FOR 1/2" EXPANSION GAP BETWEEN 10' LENGTHS OF SNAP-ON BASE. OVERLAP THE SNAP-ON COVERS 2" BETWEEN 10' LENGTHS.
5. WHEN INSTALLING THIS DETAIL WITH A 6" OR GREATER VERTICAL SURFACE, ADDITIONAL MECHANICAL ATTACHMENT IS REQUIRED ON THE SNAP-ON BASE. THE ADDITIONAL FASTENERS MUST BE WITHIN 1'-3" OF THE BOTTOM EDGE.
6. MEMBRANE SHOULD EXTEND BEYOND WOOD NAILER BY MINIMUM 1"
7. MAXIMUM MEMBRANE STRIPPING THICKNESS ON THIS DETAIL IS AS FOLLOWS:
 - EPDM - 60 MIL
8. USE STAINLESS STEEL FASTENERS WHEN ATTACHING INTO ACO TREATED WOOD.

NOTE:

THIS DETAIL QUALIFIES TO BE INCLUDED IN ANY MULE-HIDE LABOR AND MATERIAL WARRANTY

NOTE:

THIS DETAIL IS ACCEPTABLE FOR USE IN ALL EXTENDED WARRANTIES AND HIGH WIND ZONES.



MULE-HIDE PREMANUFACTURED
2-PIECE COMPRESSION EDGE DETAIL
SYSTEMS:

ALL EPDM SYSTEMS

DETAIL NO.:

MHE-3110A

REVISION DATE: 01/2013

**MULE-HIDE
PRODUCTS CO., INC.**

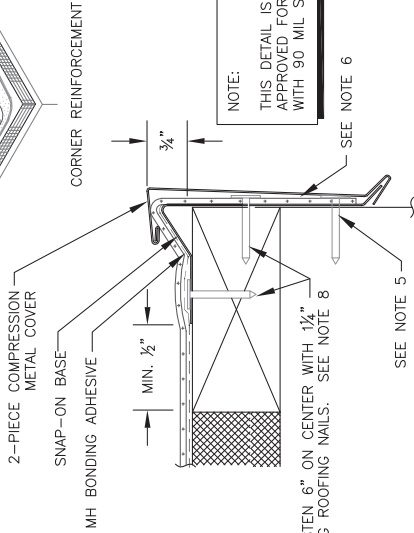
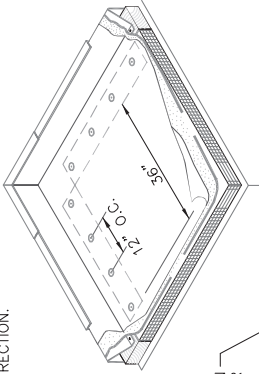
NOTES:

1. THE USE OF THIS DETAIL IS NOT TO EXCEED A 2" PER 12" SLOPE.
2. A WOOD NAILER IS REQUIRED. TOP OF WOOD NAILER IS TO BE FLUSH WITH TOP OF INSULATION. BE SURE THAT THE WOOD NAILER EXTENDS AT LEAST ½" BEYOND THE HORIZONTAL EDGE OF THE SNAP-ON BASE.
3. THE FASTENERS USED TO ATTACH THE BASE TO WOOD NAILERS, AND THE MEMBRANE TO THE FACE OF THE NAILERS, MUST BE SPACED NO GREATER THAN 6" ON CENTER.
4. ALLOW FOR ⅜" EXPANSION GAP BETWEEN 10' LENGTHS OF SNAP-ON BASE. OVERLAP THE SNAP-ON COVERS 2" BETWEEN 10' LENGTHS.
5. WHEN INSTALLING THIS DETAIL WITH A 6" OR GREATER VERTICAL SURFACE, ADDITIONAL MECHANICAL ATTACHMENT IS REQUIRED ON THE SNAP-ON BASE. THE ADDITIONAL FASTENERS MUST BE WITHIN 1-¾" OF THE BOTTOM EDGE.
6. MEMBRANE SHOULD EXTEND BEYOND WOOD NAILER BY MINIMUM 1"
7. MAXIMUM MEMBRANE THICKNESS ON THIS DETAIL IS AS FOLLOWS:
 - EPDM - 60 MIL
8. USE STAINLESS STEEL FASTENERS WHEN ATTACHING INTO ACQ TREATED WOOD. ISOLATE ALL METAL PARTS FROM ACQ TREATED WOOD WITH APPROPRIATE MEMBRANE MATERIAL.

NOTE:
THIS DETAIL QUALIFIES TO BE INCLUDED IN ANY MULE-HIDE LABOR AND MATERIAL WARRANTY

NOTE:
THIS DETAIL NOT FOR USE IN 90 MIL SYSTEMS, WITH WARRANTIES LONGER THAN 20 YEARS, OR IN WIND ZONES EXCEEDING 90 MPH.

AT CORNERS, 6" WIDE RMS MUST BE INSTALLED 12" MAXIMUM FROM THE BASE OF THE SNAP ON BASE AND EXTEND 36" MINIMUM IN EACH DIRECTION.



NOTE:
THIS DETAIL IS NOT APPROVED FOR USE WITH 90 MIL SYSTEMS.

*FASTEN 6" ON CENTER WITH 1¼" LONG ROOFING NAILS. SEE NOTE 8

SEE NOTE 6

SEE NOTE 5

MULE-HIDE PREMANUFACTURED
2-PIECE COMPRESSION EDGE DETAIL
SYSTEMS:

EPDM FULLY ADHERED SYSTEMS

DETAIL NO.:

MHE-3110B

REVISION DATE: 01/2013

**MULE-HIDE
PRODUCTS CO., INC.**

NOTES:

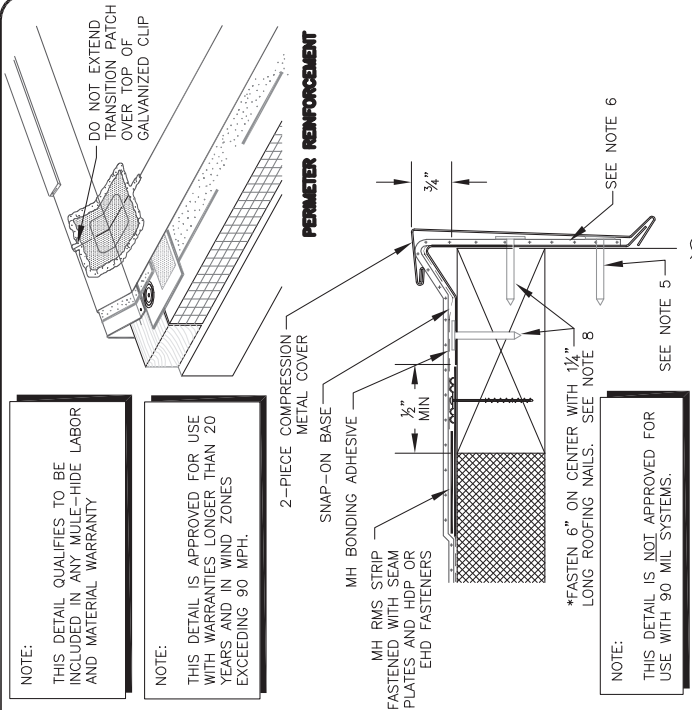
1. THE USE OF THIS DETAIL IS NOT TO EXCEED A 2" PER 12" SLOPE.
2. A WOOD NAILER IS REQUIRED. TOP OF WOOD NAILER IS TO BE FLUSH WITH TOP OF INSULATION. BE SURE THAT THE WOOD NAILER EXTENDS AT LEAST ½" BEYOND THE HORIZONTAL EDGE OF THE SNAP-ON BASE.
3. THE FASTENERS USED TO ATTACH THE BASE TO WOOD NAILERS, AND THE MEMBRANE TO THE FACE OF THE NAILERS, MUST BE SPACED NO GREATER THAN 6" ON CENTER.
4. ALLOW FOR ½" EXPANSION GAP BETWEEN 10' LENGTHS OF SNAP-ON BASE. OVERLAP THE SNAP-ON COVERS 2" BETWEEN 10' LENGTHS.
5. WHEN INSTALLING THIS DETAIL WITH A 6" OR GREATER VERTICAL SURFACE, ADDITIONAL MECHANICAL ATTACHMENT IS REQUIRED ON THE SNAP-ON BASE. THE ADDITIONAL FASTENERS MUST BE WITHIN 1'-3" OF THE BOTTOM EDGE.
6. MEMBRANE SHOULD EXTEND BEYOND WOOD NAILER BY MINIMUM 1"
7. MAXIMUM MEMBRANE THICKNESS ON THIS DETAIL IS AS FOLLOWS:
 - EPDM - 60 MIL
8. USE STAINLESS STEEL FASTENERS WHEN ATTACHING INTO ACQ TREATED WOOD. ISOLATE ALL METAL PARTS FROM DIRECT CONTACT WITH ACQ TREATED WOOD WITH APPROPRIATE MEMBRANE MATERIAL.

NOTE:

THIS DETAIL QUALIFIES TO BE INCLUDED IN ANY MULE-HIDE LABOR AND MATERIAL WARRANTY

NOTE:

THIS DETAIL IS APPROVED FOR USE WITH WARRANTIES LONGER THAN 20 YEARS AND IN WIND ZONES EXCEEDING 90 MPH.



NOTE:

THIS DETAIL IS NOT APPROVED FOR USE WITH 90 MIL SYSTEMS.

<p>MULE-HIDE PRODUCTS CO., INC.</p>	<p>MULE-HIDE PREMANUFACTURED 2-PIECE COMPRESSION EDGE DETAIL SYSTEMS:</p>	<p>DETAIL NO.: MHE-3110C</p>
	<p>EPDM FULLY ADHERED SYSTEMS</p>	<p>REVISION DATE: 01/2013</p>

NOTES:

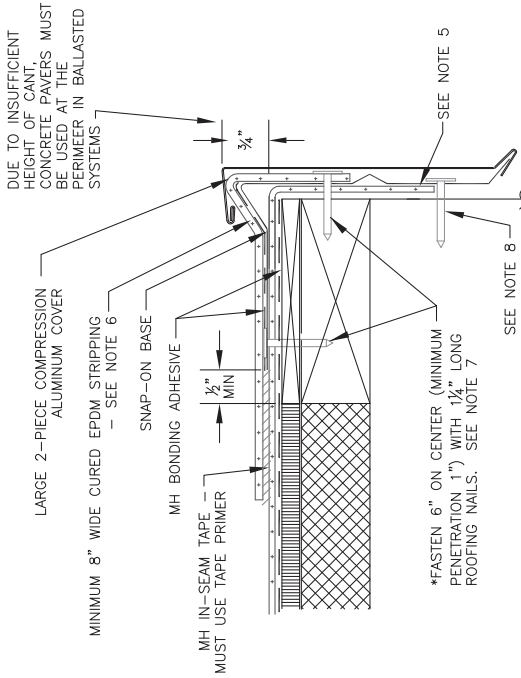
1. THE USE OF THIS DETAIL IS NOT TO EXCEED A 2" PER 12" SLOPE.
2. A WOOD NAILER IS REQUIRED. TOP OF WOOD NAILER IS TO BE FLUSH WITH TOP OF INSULATION. BE SURE THAT THE WOOD NAILER EXTENDS AT LEAST ½" BEYOND THE HORIZONTAL EDGE OF THE SNAP-ON BASE.
3. THE FASTENERS USED TO ATTACH THE BASE TO WOOD NAILERS, AND THE MEMBRANE TO THE FACE OF THE NAILERS, MUST BE SPACED NO GREATER THAN 6" ON CENTER.
4. ALLOW FOR ⅛" EXPANSION GAP BETWEEN 10' LENGTHS OF SNAP-ON BASE. OVERLAP THE SNAP-ON COVERS 2" BETWEEN 10' LENGTHS.
5. MEMBRANE SHOULD EXTEND BEYOND WOOD NAILER BY MINIMUM 1"
6. MAXIMUM MEMBRANE STRIPPING THICKNESS ON THIS DETAIL IS AS FOLLOWS:
 • EPDM — 60 MIL
 USE STAINLESS STEEL FASTENERS WHEN ATTACHING INTO ACO TREATED WOOD.
8. THE ADDITIONAL FASTENERS MUST BE WITHIN 1-¾" OF THE BOTTOM EDGE.

NOTE:

THIS DETAIL QUALIFIES TO BE INCLUDED IN ANY MULE-HIDE LABOR AND MATERIAL WARRANTY

NOTE:

THIS DETAIL IS ACCEPTABLE FOR USE IN ALL EXTENDED WARRANTIES AND HIGH WIND ZONES.



MULE-HIDE PREMANUFACTURED
2-PIECE COMPRESSION LARGE EDGE DETAIL
SYSTEMS:

ALL EPDM SYSTEMS

DETAIL NO.:

MHE-3115A

REVISION DATE: 01/2013

**MULE-HIDE
PRODUCTS CO., INC.**

NOTES:

1. THE USE OF THIS DETAIL IS NOT TO EXCEED A 2" PER 12" SLOPE.
2. A WOOD NAILER IS REQUIRED. TOP OF WOOD NAILER IS TO BE FLUSH WITH TOP OF INSULATION. BE SURE THAT THE WOOD NAILER EXTENDS AT LEAST 1/2" BEYOND THE HORIZONTAL EDGE OF THE SNAP-ON BASE.
3. THE FASTENERS USED TO ATTACH THE BASE TO WOOD NAILERS AND THE MEMBRANE TO THE FACE OF THE NAILERS, MUST BE SPACED NO GREATER THAN 6" ON CENTER.
4. ALLOW FOR 1/8" EXPANSION GAP BETWEEN 10' LENGTHS OF SNAP-ON BASE. OVERLAP THE SNAP-ON COVERS 2" BETWEEN 10' LENGTHS.
5. MAXIMUM MEMBRANE THICKNESS ON THIS DETAIL IS AS FOLLOWS:
 - EPDM - 60 MIL
6. USE STAINLESS STEEL FASTENERS WHEN ATTACHING INTO ACQ TREATED WOOD. ISOLATE ALL METAL PARTS FROM ACQ TREATED WOOD WITH APPROPRIATE MEMBRANE MATERIAL.
7. THE ADDITIONAL FASTENERS MUST BE WITHIN 1-3/4" OF THE BOTTOM EDGE.

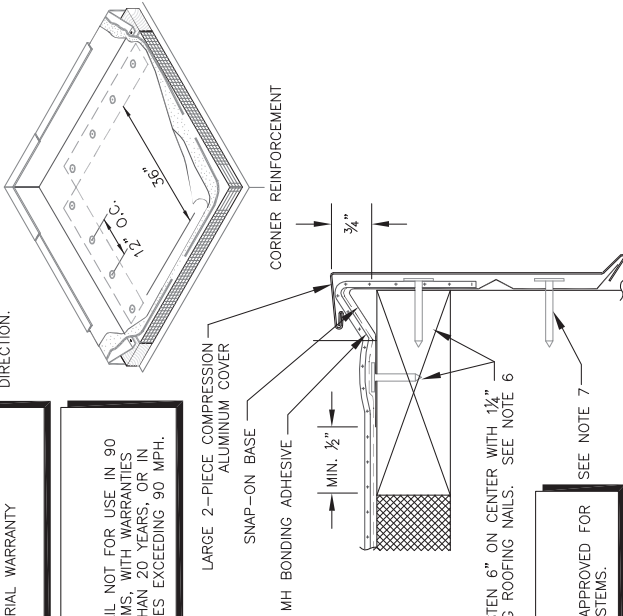
NOTE:

THIS DETAIL QUALIFIES TO BE INCLUDED IN ANY MULE-HIDE LABOR AND MATERIAL WARRANTY

NOTE:

THIS DETAIL NOT FOR USE IN 90 MIL SYSTEMS, WITH WARRANTIES LONGER THAN 20 YEARS, OR IN WIND ZONES EXCEEDING 90 MPH.

AT CORNERS, 6" WIDE RMS MUST BE INSTALLED 12" MAXIMUM FROM THE BASE OF THE SNAP ON BASE AND EXTEND 36" MINIMUM IN EACH DIRECTION.



*FASTEN 6" ON CENTER WITH 1/4" LONG ROOFING NAILS. SEE NOTE 6

NOTE:

THIS DETAIL IS NOT APPROVED FOR USE WITH 90 MIL SYSTEMS. SEE NOTE 7

MULE-HIDE PRODUCTS CO., INC.

2-PIECE COMPRESSION LARGE EDGE DETAIL SYSTEMS:
MULE-HIDE PREMANUFACTURED EPDM FULLY ADHERED SYSTEMS

DETAIL NO.:
MHE-3115B
 REVISION DATE: 01/2013

NOTES:

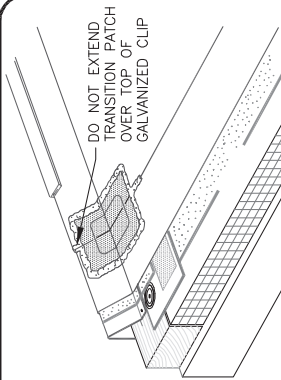
1. THE USE OF THIS DETAIL IS NOT TO EXCEED A 2" PER 12" SLOPE.
2. A WOOD NAILER IS REQUIRED. TOP OF WOOD NAILER IS TO BE FLUSH WITH TOP OF INSULATION. BE SURE THAT THE WOOD NAILER EXTENDS AT LEAST 1/2" BEYOND THE HORIZONTAL EDGE OF THE SNAP-ON BASE.
3. THE FASTENERS USED TO ATTACH THE BASE TO WOOD NAILERS, AND THE MEMBRANE TO THE FACE OF THE NAILERS, MUST BE SPACED NO GREATER THAN 6" ON CENTER.
4. ALLOW FOR 1/8" EXPANSION GAP BETWEEN 10' LENGTHS OF SNAP-ON BASE. OVERLAP THE SNAP-ON COVERS 2" BETWEEN 10' LENGTHS.
5. MAXIMUM MEMBRANE THICKNESS ON THIS DETAIL IS AS FOLLOWS:
 - EPDM - 60 MIL
6. USE STAINLESS STEEL FASTENERS WHEN ATTACHING INTO ACO TREATED WOOD. ISOLATE ALL METAL PARTS FROM DIRECT CONTACT WITH ACO TREATED WOOD WITH APPROPRIATE MEMBRANE MATERIAL.
7. THE ADDITIONAL FASTENERS MUST BE WITHIN 1-3" OF THE BOTTOM EDGE.

NOTE:

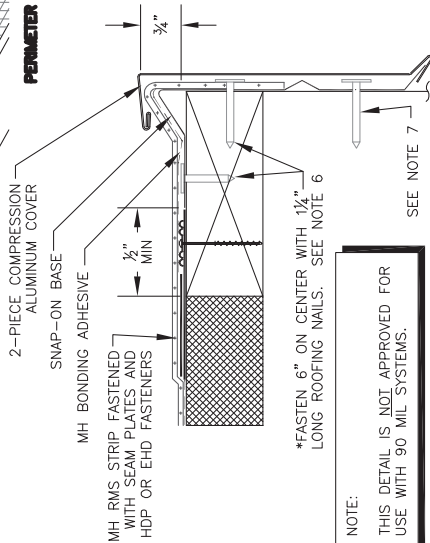
THIS DETAIL QUALIFIES TO BE INCLUDED IN ANY MULE-HIDE LABOR AND MATERIAL WARRANTY

NOTE:

THIS DETAIL IS APPROVED FOR USE WITH WARRANTIES LONGER THAN 20 YEARS AND IN WIND ZONES EXCEEDING 90 MPH.



PERIMETER REINFORCEMENT



*FASTEN 6" ON CENTER WITH 1 1/4" LONG ROOFING NAILS. SEE NOTE 6

NOTE:

THIS DETAIL IS NOT APPROVED FOR USE WITH 90 MIL SYSTEMS.

SEE NOTE 7

MULE-HIDE PREMANUFACTURED 2-PIECE COMPRESSION LARGE EDGE DETAIL SYSTEMS:

EPDM FULLY ADHERED SYSTEMS

DETAIL NO.:

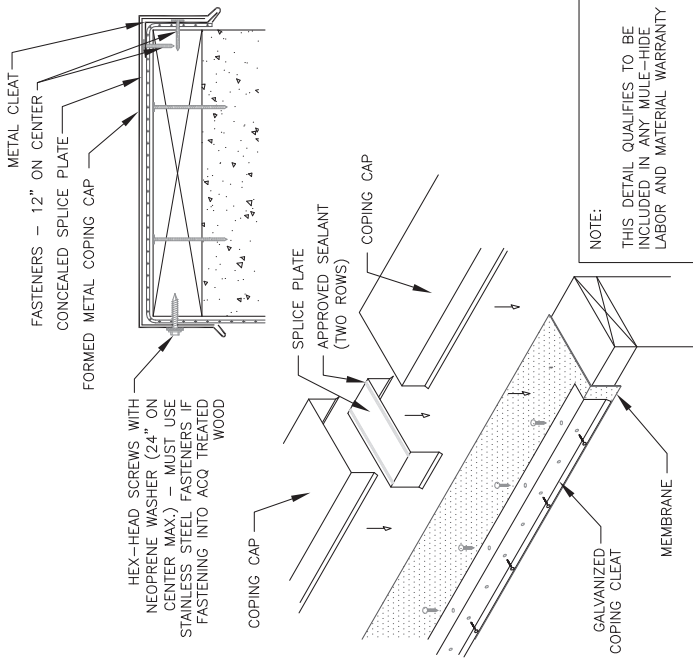
MHE-3115C

REVISION DATE: 01/2013

MULE-HIDE PRODUCTS CO., INC.

NOTES:

1. ALL COPING CAP JOINTS MUST UTILIZE A 6" CONCEALED SPLICE PLATE.
2. ALL JOINTS ARE TO BE SEALED WITH AN APPROVED SEALANT ON TOP (BOTH SIDES OF JOINT) OF THE SPLICE PLATE. ALLOW A 1/4" GAP BETWEEN COPING SECTIONS.
3. ALL CLEATS MUST BE FASTENED 12" ON CENTER.
4. ALL FASTENERS MUST PENETRATE INTO THE NAILER A MINIMUM OF 1 1/2".
5. INSTALL THE COPING CLEAT USING 1 1/2" FASTENERS 12" ON CENTER. FACE NAIL THE CLEAT USING 1 1/2" FASTENERS 12" ON CENTER.
6. INSTALL THE SPLICE PLATE BY LOCATING IT IN THE CENTER OF THE COPING JOINT. APPLY A BEAD OF AN APPROVED SEALANT ON BOTH SIDES OF THE TOP SURFACE OF THE SPLICE PLATE. DO NOT FASTEN THE SPLICE PLATE.
7. INSTALL COPING CAP OVER TOP SPLICE PLATE. BE SURE TO LEAVE A 1/4" GAP BETWEEN SECTIONS OF COPING TO ALLOW FOR EXPANSION AND CONTRACTION.
8. ALL JOINING SURFACES SUCH AS JOINTS, SPLICES, CORNERS, AND END CAPS MUST HAVE AN APPROVED SEALANT APPLIED TO THEM.



NOTE:
THIS DETAIL QUALIFIES TO BE INCLUDED IN ANY MULE-HIDE LABOR AND MATERIAL WARRANTY

MULE-HIDE PREMANUFACTURED
FLAT COPING W/CONTINUOUS CLEAT
SYSTEMS:

DETAIL NO.:

MHSM-6050

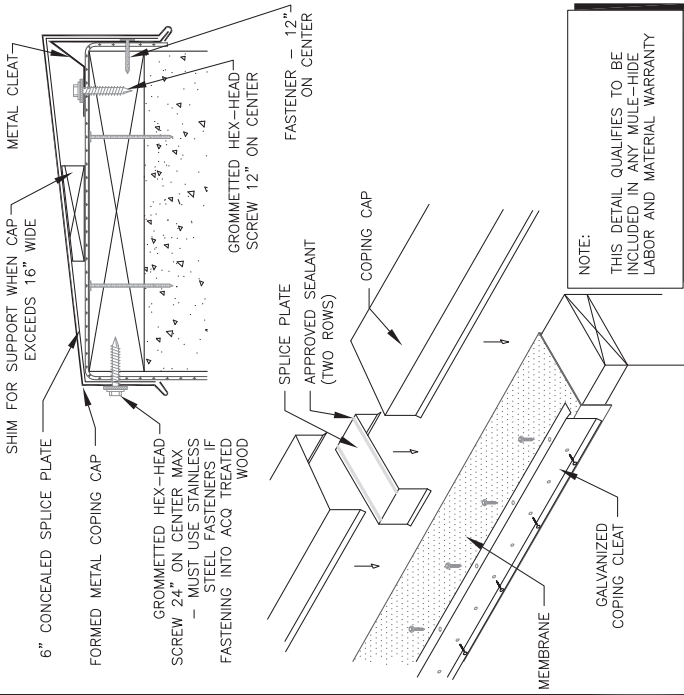
REVISION DATE: 01/2013

**MULE-HIDE
PRODUCTS CO., INC.**

ALL MULE-HIDE SYSTEMS

NOTES:

1. ALL COPING CAP JOINTS MUST UTILIZE A 6" CONCEALED SPLICE PLATE.
2. ALL JOINTS ARE TO BE SEALED WITH AN APPROVED SEALANT ON TOP (BOTH SIDES OF JOINT) OF THE SPLICE PLATE. ALLOW A 1/4" GAP BETWEEN COPING SECTIONS.
3. ALL CLEATS MUST BE FASTENED 12" ON CENTER.
4. ALL FASTENERS MUST PENETRATE INTO THE NAILER A MINIMUM OF 1/2".
5. INSTALL THE COPING CLEAT USING GROMMETTED 1 1/2" HEX HEAD SCREWS 12" ON CENTER. FACE NAIL THE CLEAT USING 1 1/2" FASTENERS 12" ON CENTER.
6. INSTALL THE SPLICE PLATE BY LOCATING IT IN THE CENTER OF THE COPING JOINT. APPLY A BEAD OF AN APPROVED SEALANT ON BOTH SIDES OF THE TOP SURFACE OF THE SPLICE PLATE. DO NOT FASTEN THE SPLICE PLATE.
7. INSTALL COPING CAP OVER TOP SPLICE PLATE. BE SURE TO LEAVE A 1/4" GAP BETWEEN SECTIONS OF COPING TO ALLOW FOR EXPANSION AND CONTRACTION.
8. ALL JOINING SURFACES SUCH AS JOINTS, SPLICES, CORNERS, AND END CAPS MUST HAVE AN APPROVED SEALANT APPLIED TO THEM.



NOTE:
THIS DETAIL QUALIFIES TO BE INCLUDED IN ANY MULE-HIDE LABOR AND MATERIAL WARRANTY

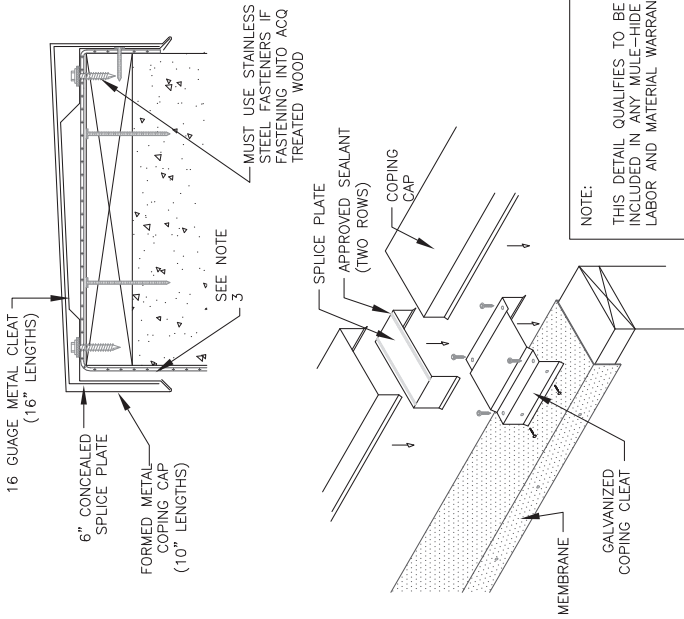
MULE-HIDE PREMANUFACTURED
CANTED COPING W/CONTINUOUS CLIP
SYSTEMS:
ALL MULE-HIDE SYSTEMS

DETAIL NO.:
MHSM-6052
REVISION DATE: 01/2013

**MULE-HIDE
PRODUCTS CO., INC.**

NOTES:

1. ALL COPING CAP JOINTS MUST UTILIZE A 6" CONCEALED SPLICE PLATE.
2. ALL JOINTS ARE TO BE SEALED WITH AN APPROVED SEALANT ON TOP (BOTH SIDES OF JOINT) OF THE SPLICE PLATE. ALLOW A 1/4" GAP BETWEEN COPING SECTIONS.
3. LEAVE A 3/8" GAP ON THE INSIDE EDGE BETWEEN THE CLEAT AND THE WALL TO ALLOW THE COPING CAP TO SNAP INTO PLACE.
4. ALL FASTENERS MUST PENETRATE INTO THE NAILED A MINIMUM OF 1/2".
5. INSTALL THE COPING CLEAT USING FOUR GROMMETTED HEX HEAD SCREWS. FACE NAIL THE CLEAT USING TWO ROOFING NAILS.
6. INSTALL THE SPLICE PLATE BY LOCATING IT IN THE CENTER OF THE COPING JOINT. APPLY A BEAD OF AN APPROVED SEALANT ON BOTH SIDES OF THE TOP SURFACE OF THE SPLICE PLATE. DO NOT FASTEN THE SPLICE PLATE.
7. INSTALL COPING CAP OVER TOP SPLICE PLATE. BE SURE TO LEAVE A 1/4" GAP BETWEEN SECTIONS OF COPING TO ALLOW FOR EXPANSION AND CONTRACTION.
8. ALL JOINING SURFACES SUCH AS JOINTS, SPLICES, CORNERS, AND END CAPS MUST HAVE AN APPROVED SEALANT APPLIED TO THEM.



NOTE:
THIS DETAIL QUALIFIES TO BE INCLUDED IN ANY MULE-HIDE LABOR AND MATERIAL WARRANTY

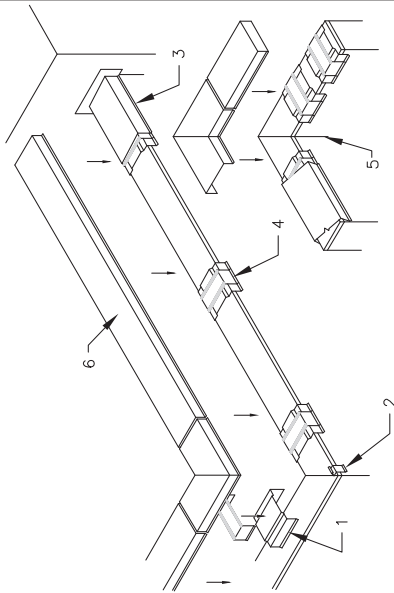
MULE-HIDE PREMANUFACTURED SNAP COPING SYSTEMS:
ALL MULE-HIDE SYSTEMS

DETAIL NO.:
MHSM-6054A
REVISION DATE: 01/2013

MULE-HIDE PRODUCTS CO., INC.

NOTES:

1. SNAP CLEATS AT CORNER – PLACE SNAP CLEATS 12" FROM THE CORNER OF THE BUILDING. PULL EACH CLEAT SNUGLY AGAINST THE FACE OF THE BUILDING. INSTALL FOUR GROMMETTED HEX HEAD SCREWS.
2. CORNER SUPPORT CLIPS – CORNER SUPPORT CLIPS ARE TO BE PLACED AT ALL OUTSIDE CORNERS TO SUPPORT THE CAP. SET THE CLIP AWAY FROM THE CORNER ABOUT 1/2". JOINTS MUST BE 12" OR MORE FROM CORNER.
3. SNAP CLEATS AT WALL ENDS – INSTALL THE FIRST SNAP CLEAT APPROXIMATELY 2" FROM THE WALL END.
4. SNAP CLEATS ALONG THE PARAPET – INSTALL SNAP CLEATS ALONG THE LENGTH OF THE PARAPET ON 60" CENTERS. COPING PIECES LONGER THAN 5' MUST HAVE THREE CLEATS: ONE AT EACH END AND ONE IN THE CENTER. MAXIMUM CLEAT SPACING IS 60" ON-CENTER.
5. INSTALLING COPING CORNER – PLACE THE CONCEALED JOINT SPLICE OVER THE ANCHOR CLEAT AT EACH CLEAT LOCATION. HOOK THE FACE OF THE CORNER OVER THE OUTSIDE FACE LEG OF THE CLEAT. ROTATE THE CAP OVER THE TOP OF THE CLEATS, AND SNAP THE ROOF SIDE LEG BY PRESSING DOWN ON THE COPING BACK LEG. JOINTS MUST BE 12" OR MORE FROM EACH CORNER.
6. BEGIN INSTALLING STRAIGHT LENGTHS OF COPING FROM THE ENDS, WORKING INWARD TO THE CENTER, AND LEAVING A 1/4" GAP BETWEEN THE COPING SECTIONS FOR THERMAL EXPANSION. THERE SHOULD BE A CLEAT AT EACH JOINT AND AT LEAST ONE CLEAT IN THE MIDDLE OF EACH SECTION LONGER THAN 5'.



NOTE:

THIS DETAIL QUALIFIES TO BE INCLUDED IN ANY MULE-HIDE LABOR AND MATERIAL WARRANTY

MULE-HIDE PREMANUFACTURED
SNAP COPING
SYSTEMS:

ALL MULE-HIDE SYSTEMS

DETAIL NO.:

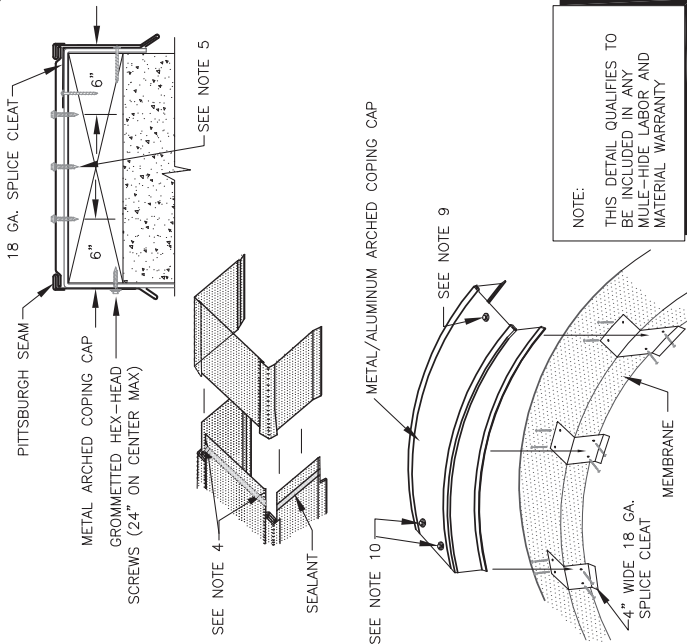
MHSM-6054B

REVISION DATE: 01/2013

**MULE-HIDE
PRODUCTS CO., INC.**

NOTES:

1. ALL JOINTS ARE TO BE SEALED WITH AN APPROVED SEALANT
2. SPLICE CLEATS ARE INSTALLED 24" ON CENTER USING FOUR APPROVED FASTENERS.
3. EDGES PRE-NOTCHED FOR AN OVERLAPPED JOINT.
4. COPING WIDER THAN 16" REQUIRES ADDITIONAL TOP FASTENERS.
5. INSTALL 4" WIDE SPLICE CLEATS 24" ON CENTER USING FOUR APPROVED FASTENERS (MUST POSITION A CLEAT AT EACH JOINT).
6. WHEN MORE THAN ONE ARCHED COPING CAP IS USED, INSTALL THE CAP TO SHED WATER DOWN THE ARCH BY CENTERING ONE SECTION AT THE TOP OF THE ARCH.
7. ADDITIONAL ARCHED COPING SECTIONS ARE PRE-NOTCHED TO PROVIDE AN OVERLAPPED JOINT. APPLY AN APPROVED SEALANT AT ALL COPING JOINTS.
8. COPING 16" TO 24" WIDE WILL REQUIRE A ROW OF HEX-HEAD SCREWS WITH NEOPRENE WASHERS IN THE CENTER.
9. COPING 25" OR WIDER SHALL REQUIRE TWO ROWS OF HEX-HEAD SCREWS WITH NEOPRENE WASHERS. ALL FASTENERS SHALL BE INSTALLED AT 18" ON CENTER ALONG THE LENGTH OF THE COPING.
10. MUST USE STAINLESS STEEL FASTENERS IF FASTENING INTO ACQ TREATED WOOD



NOTE:
THIS DETAIL QUALIFIES TO BE INCLUDED IN ANY MULE-HIDE LABOR AND MATERIAL WARRANTY

MULE-HIDE PREMANUFACTURED ARCHED COPING W/SPLICE PLATE SYSTEMS:

DETAIL NO.:
MHSM-6056

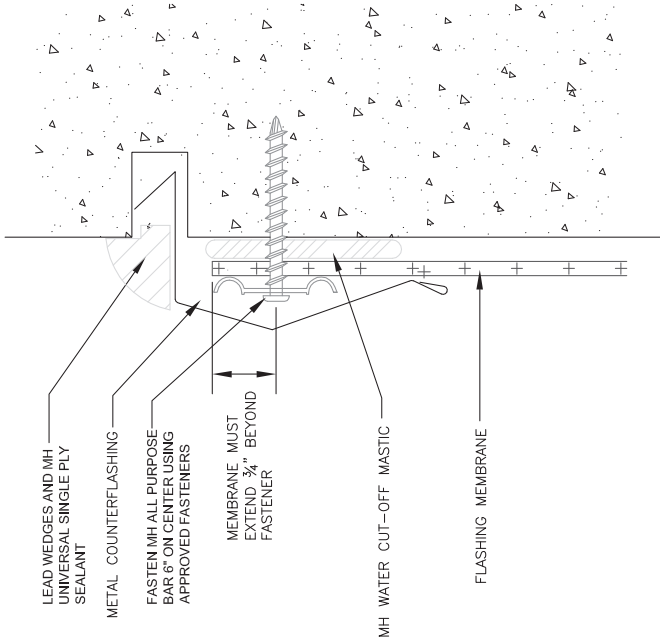
REVISION DATE: 01/2013

MULE-HIDE PRODUCTS CO., INC.

ALL MULE-HIDE SYSTEMS

NOTES:

1. THIS DETAIL IS ONLY APPLICABLE TO CONCRETE OR MASONRY WALLS.
2. MINIMUM TERMINATION HEIGHT FOR ALL FLASHINGS IS 8".



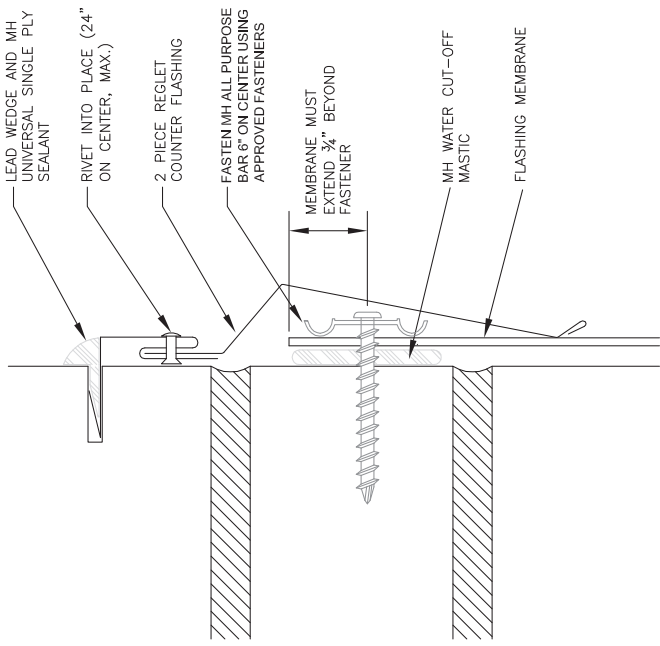
NOTE:

THIS DETAIL QUALIFIES TO BE INCLUDED IN ANY MULE-HIDE LABOR AND MATERIAL WARRANTY

MULE-HIDE PREMANUFACTURED
REGLET COUNTERFLASHING
SYSTEMS:
ALL MULE-HIDE SYSTEMS

DETAIL NO.:
MHSM-6130
REVISION DATE: 01/2013

**MULE-HIDE
PRODUCTS CO., INC.**



NOTES:

1. THIS DETAIL IS ONLY APPLICABLE TO CONCRETE OR MASONRY WALLS.
2. MINIMUM TERMINATION HEIGHT FOR ALL FLASHINGS IS 8".

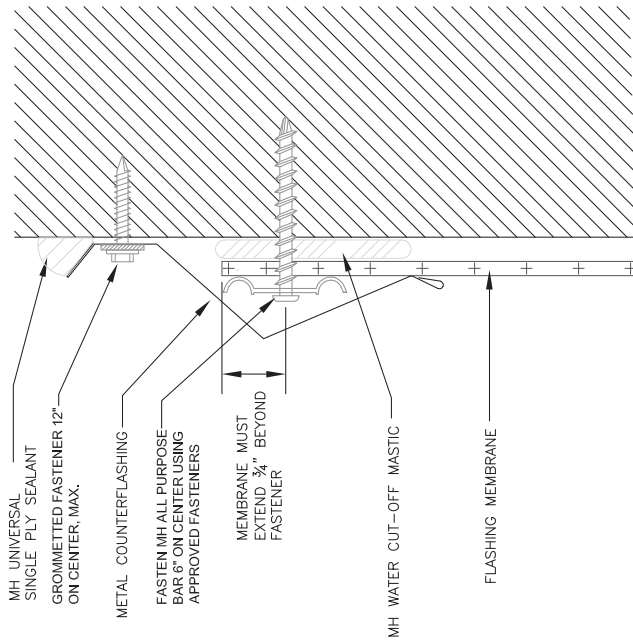
NOTE:

THIS DETAIL QUALIFIES TO BE INCLUDED IN ANY MULE-HIDE LABOR AND MATERIAL WARRANTY

MULE-HIDE PRODUCTS CO., INC.	MULE-HIDE PREMANUFACTURED 2-PIECE REGLET COUNTERFLASHING SYSTEMS:	DETAIL NO.: MHSM-6145
	ALL MULE-HIDE SYSTEMS	REVISION DATE: 01/2013

NOTES:

1. MINIMUM TERMINATION HEIGHT FOR ALL FLASHINGS IS 8".



NOTE:

THIS DETAIL QUALIFIES TO BE INCLUDED IN ANY MULE-HIDE LABOR AND MATERIAL WARRANTY

MULE-HIDE PREMANUFACTURED
SURFACE MOUNTED COUNTERFLASHING
SYSTEMS:

ALL MULE-HIDE SYSTEMS

DETAIL NO.:

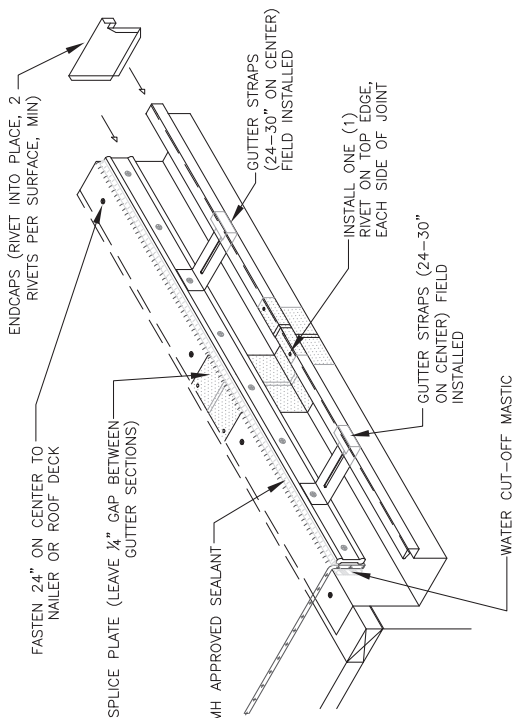
MHSM-6146

REVISION DATE: 01/2013

**MULE-HIDE
PRODUCTS CO., INC.**

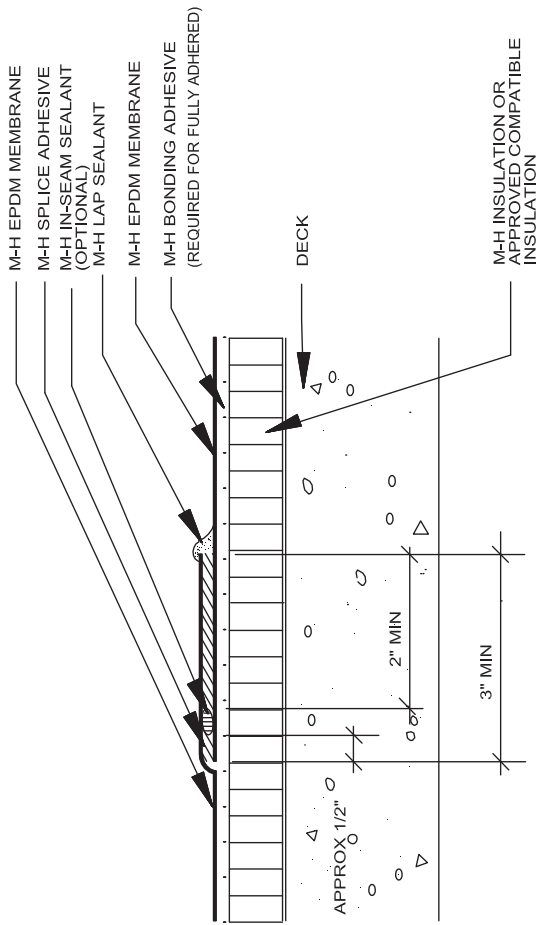
NOTES:

1. ALL JOINTS, SPLICES, CORNERS, AND ENDCAPS ARE TO BE RIVETED INTO POSITION. ON SPLICE PLATES; A MINIMUM OF 2 RIVETS AND 2 FASTENERS ARE TO BE USED. SEE DETAIL WHSM-2090 FOR INSTALLATION.
2. ALL JOINTS, SPLICES, CORNERS AND ENDCAPS MUST HAVE APPROVED SEALANT APPLIED TO THEM TO ENSURE A WATER-TIGHT APPLICATION. APPLY A BEAD OF SEALANT TO THE SPLICE PLATE ON BOTH SIDES OF THE JOINT.
3. ONE EXPANSION JOINT SHOULD BE INSTALLED FOR EVERY 40-50 FEET OF GUTTER BEING INSTALLED.
4. DRAINAGE SLOPE AND DRAIN SIZES ARE TO BE DETERMINED BY LOCAL BUILDING CODE REQUIREMENTS AND ARE THE RESPONSIBILITY OF THE CONTRACTOR TO FOLLOW.
5. USE STAINLESS STEEL FASTENERS WHEN ATTACHING INTO ACQ TREATED WOOD.



NOTE:
THIS DETAIL IS NOT INCLUDED IN ANY MULE-HIDE LABOR AND MATERIAL WARRANTY

<p>MULE-HIDE PRODUCTS CO., INC.</p>	<p>MULE-HIDE PREMANUFACTURED GUTTER ATTACHMENT X-SERIES DETAILS SYSTEMS:</p>	<p>DETAIL NO.: MHSM-2091</p>
	<p>ALL ROOFING SYSTEMS</p>	<p>REVISION DATE: 01/2013</p>

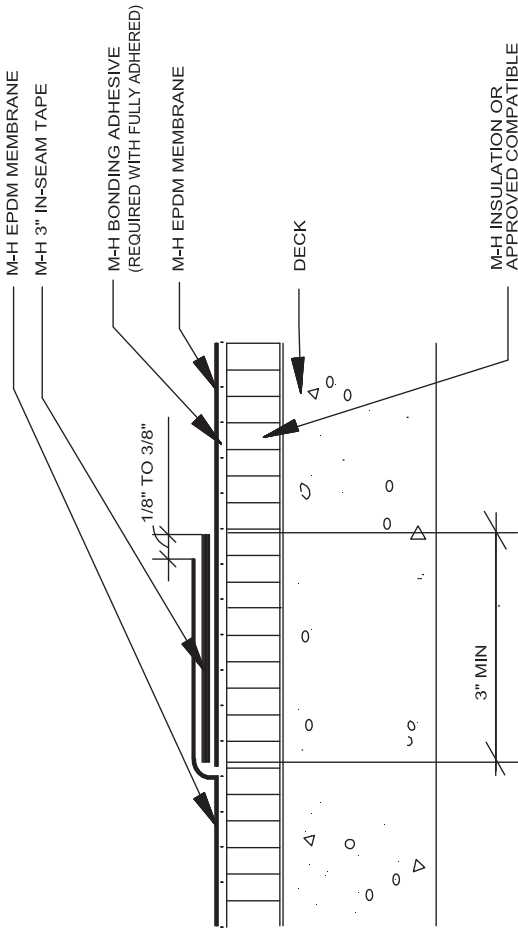


NOTE: MULE HIDE SEAM CLEANER MUST BE USED PRIOR TO APPLICATION OF ADHESIVE AND LAP SEALANT. FOLLOW PROCEDURE IN MANUAL

**MULE-HIDE
PRODUCTS CO., INC.
04/01/2004**

**MEMBRANE SPLICE
WITH SPLICE ADHESIVE -
3" SEAM
SYSTEMS:
ALL**

DETAIL NO.:
MHE-110

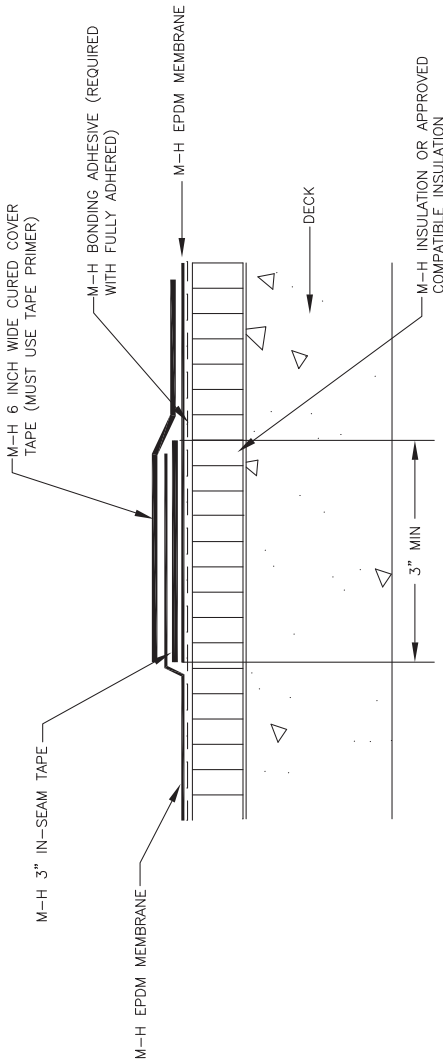


NOTE: MULE HIDE TAPE PRIMER MUST BE USED PRIOR TO APPLICATION OF IN-SEAM TAPE. FOLLOW PROCEDURE IN MANUAL.

**MULE-HIDE
PRODUCTS CO., INC.
04/01/2004**

MEMBRANE SPLICE
W/ 3" IN-SEAM TAPE
SYSTEMS:
ALL

DETAIL NO.:
MHE-111



NOTE:

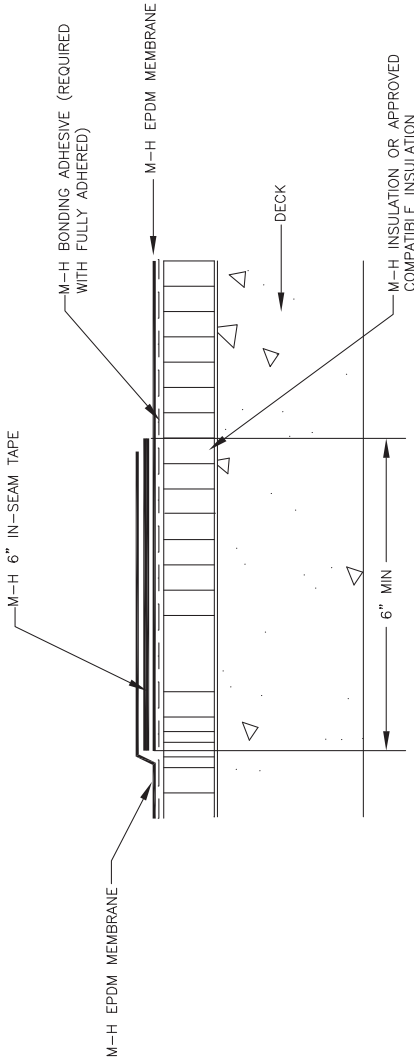
MULE-HIDE TAPE PRIMER MUST BE USED PRIOR TO APPLICATION OF IN-SEAM TAPE. FOLLOW PROCEDURE IN MANUAL.

THIS DETAIL IS ACCEPTABLE FOR USE IN A 20-YEAR WARRANTED SYSTEM IN BALLASTED OR FULLY ADHERED SYSTEMS.

**MULE-HIDE
PRODUCTS CO., INC.**
12/01/2008

**MEMBRANE SPLICE
W/3" IN-SEAM TAPE
SYSTEMS:
BALLASTED, FULLY ADHERED
LIVING ROOF**

DETAIL NO.:
MHE-111A



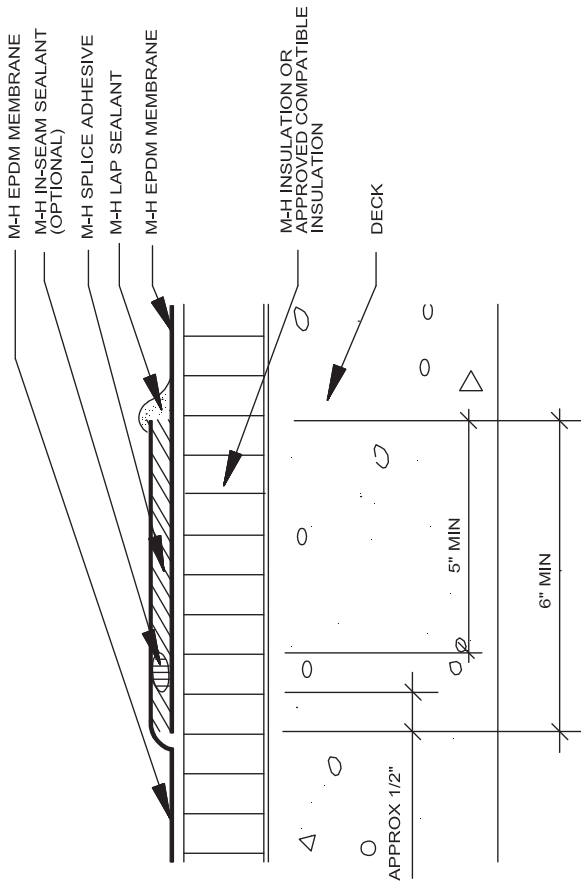
NOTE:

MULE-HIDE TAPE PRIMER MUST BE USED PRIOR TO APPLICATION OF IN-SEAM TAPE. FOLLOW PROCEDURE IN MANUAL.

THIS DETAIL IS ACCEPTABLE FOR USE IN A 20-YEAR WARRANTED SYSTEM.

<p>MULE-HIDE PRODUCTS CO., INC. 12/01/2008</p>	<p>MEMBRANE SPLICE W/6" IN-SEAM TAPE SYSTEMS: ALL</p>	<p>DETAIL NO.: MHE-111B</p>
---	---	---

NOTE: MUST USE SEAM
CLEANER PRIOR TO
APPLICATION OF SPLICE
ADHESIVE - TAPE PRIMER MAY
BE USED AS A SUBSTITUTE
FOR SEAM CLEANER



**MULE-HIDE
PRODUCTS CO., INC.
04/01/2004**

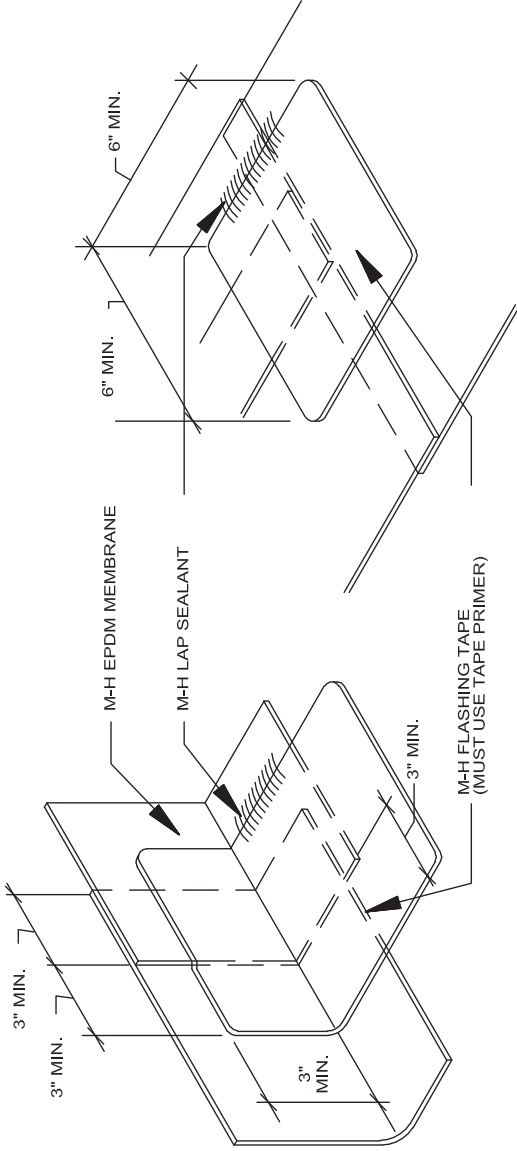
MEMBRANE SPLICE W/
SPLICE ADHESIVE - 6" SEAM

SYSTEMS:
ALL

DETAIL NO.:

MHE-115

NOTE: LAP SEALANT MUST BE APPLIED
ALONG ALL EDGES OF PATCH



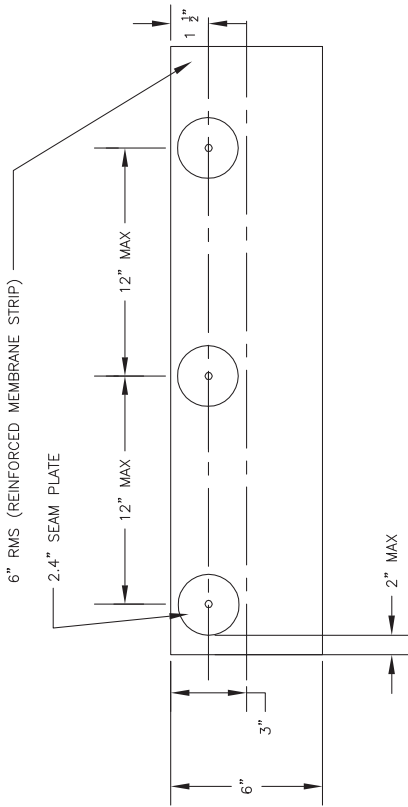
**MULE-HIDE
PRODUCTS CO., INC.
04/01/2004**

END LAP & T-JOINT DETAIL

DETAIL NO.:

MHE-118

SYSTEMS:
ALL



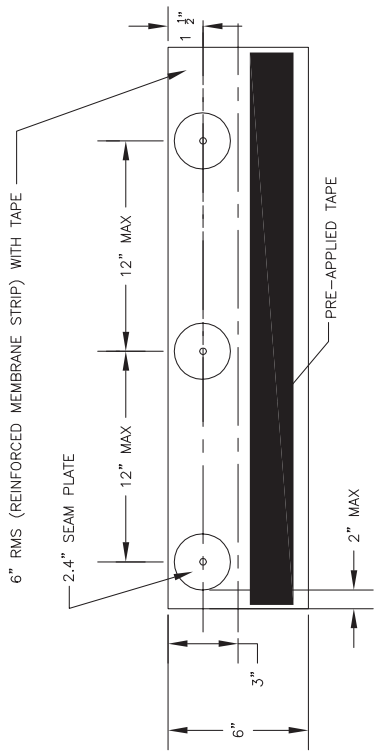
NOTE: NOT TO SCALE. FOR ILLUSTRATION PURPOSES ONLY

**MULE-HIDE
PRODUCTS CO., INC.**
2010

6" RMS ATTACHMENT STRIP

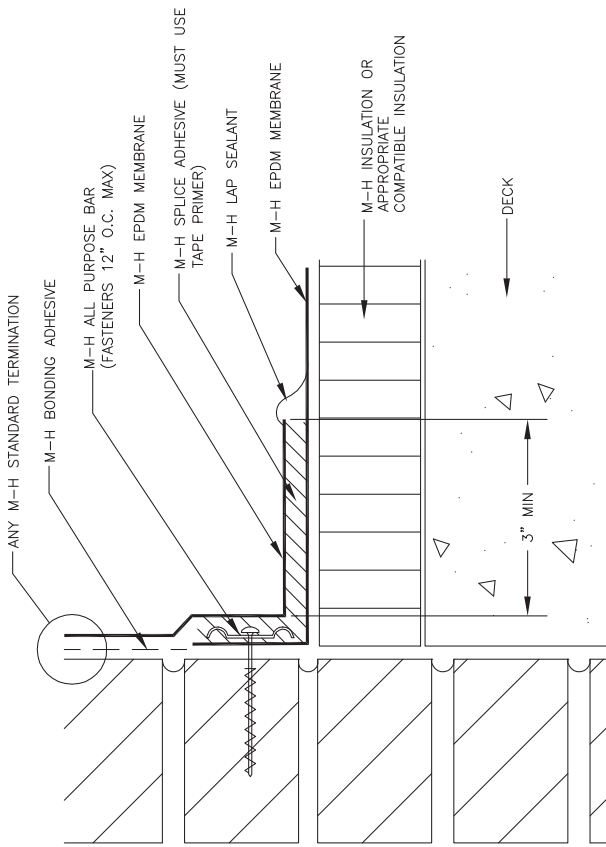
**SYSTEMS:
ALL**

DETAIL NO.:
MHE-119



NOTE: NOT TO SCALE. FOR ILLUSTRATION PURPOSES ONLY

MULE-HIDE PRODUCTS CO., INC. 2010	6" RMS WITH TAPE	DETAIL NO.: MHE-119A
	SYSTEMS: ALL	

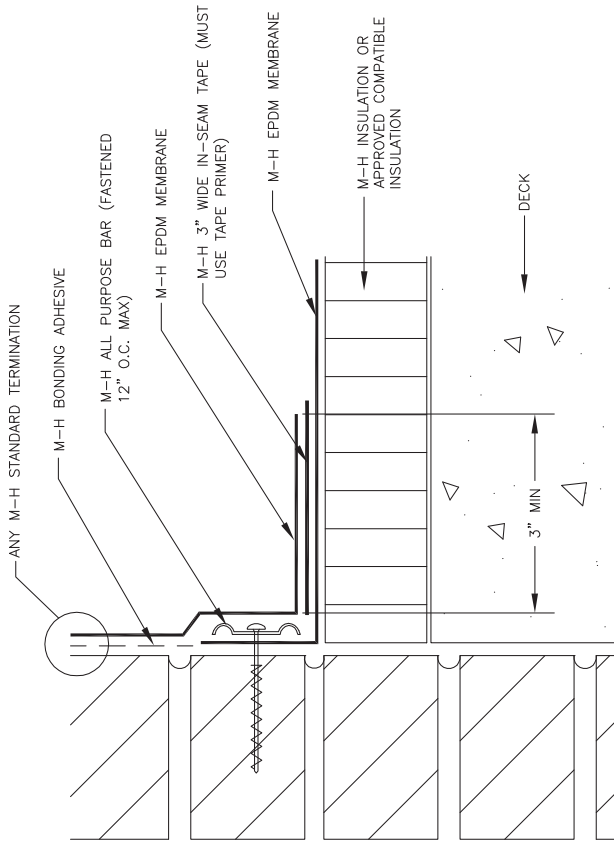


**PARAPET/CURB FLASHING A-P BAR
VERTICAL ATTACHMENT**

**SYSTEMS:
ALL**

DETAIL NO.:
MHE-120

**MULE-HIDE
PRODUCTS CO., INC.**
12/01/2008



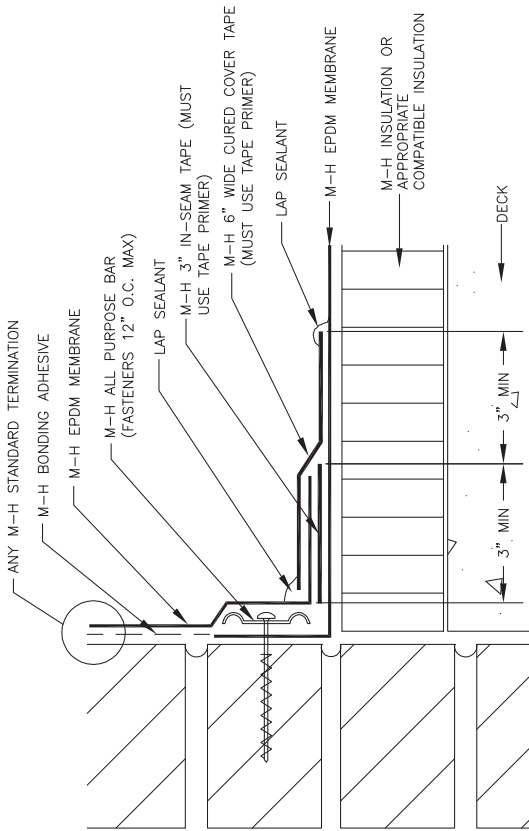
PARAPET/CURB FLASHING A-P BAR
VERTICAL ATTACHMENT

SYSTEMS:
ALL

DETAIL NO.:

MHE-120A

**MULE-HIDE
PRODUCTS CO., INC.**
12/01/2008

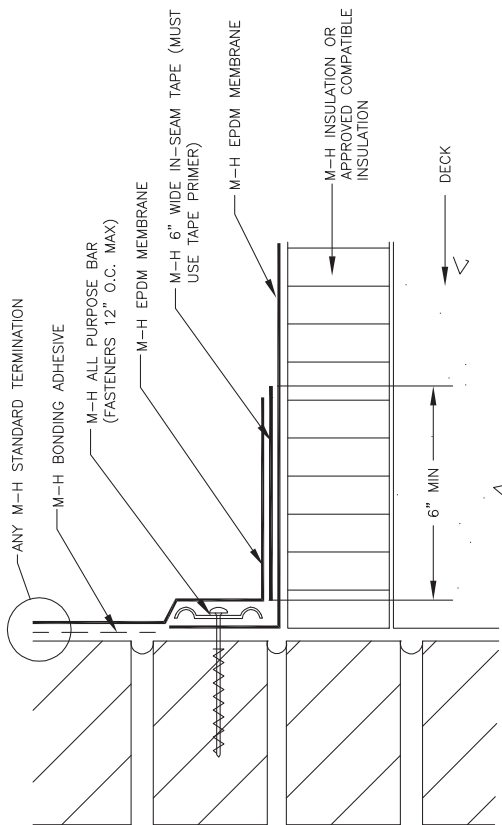


NOTE:
 THIS DETAIL IS ACCEPTABLE FOR USE IN
 A 20-YEAR WARRANTED SYSTEM

**PARAPET/CURB FLASHING A-P BAR
 VERTICAL ATTACHMENT
 SYSTEMS:
 BALLASTED, FULLY ADHERED, LIVING ROOF**

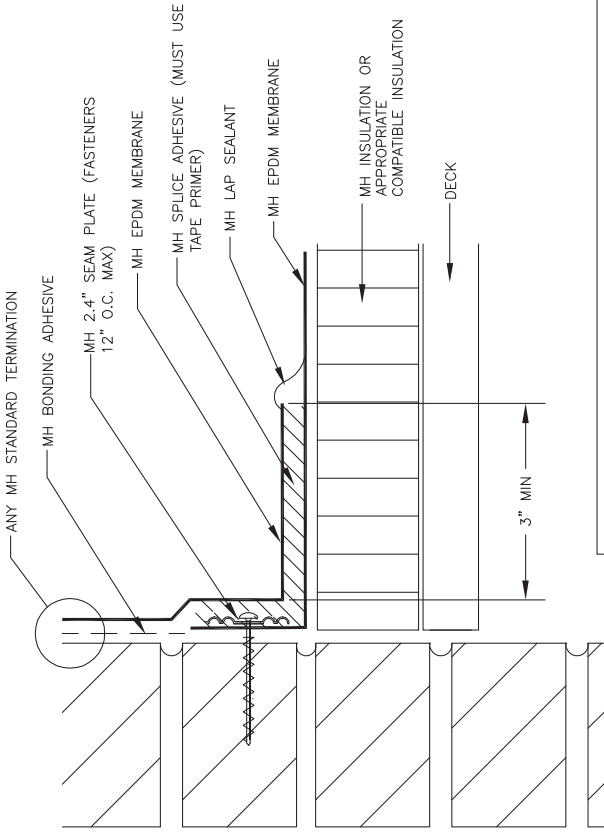
DETAIL NO.:
MHE-120B

**MULE-HIDE
 PRODUCTS CO., INC.**
 12/01/2008



NOTE:
 THIS DETAIL IS ACCEPTABLE FOR USE IN
 A 20-YEAR WARRANTED SYSTEM

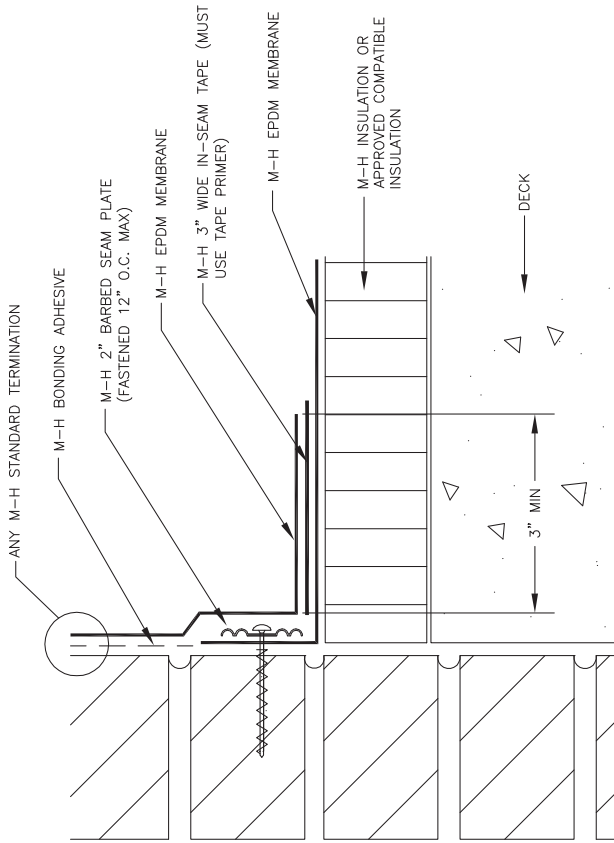
<p>MULE-HIDE PRODUCTS CO., INC. 12/01/2008</p>	<p>PARAPET/CURB FLASHING A-P BAR VERTICAL ATTACHMENT SYSTEMS: ALL</p>	<p>DETAIL NO.: MHE-120C</p>
--	--	--



**MULE-HIDE
PRODUCTS CO., INC.**
12/01/2008

**PARAPET / CURB FLASHING W/
2.4" SEAM PLATES / VERTICAL ATTACHMENT
SYSTEMS:
REINFORCED MEMBRANES ONLY**

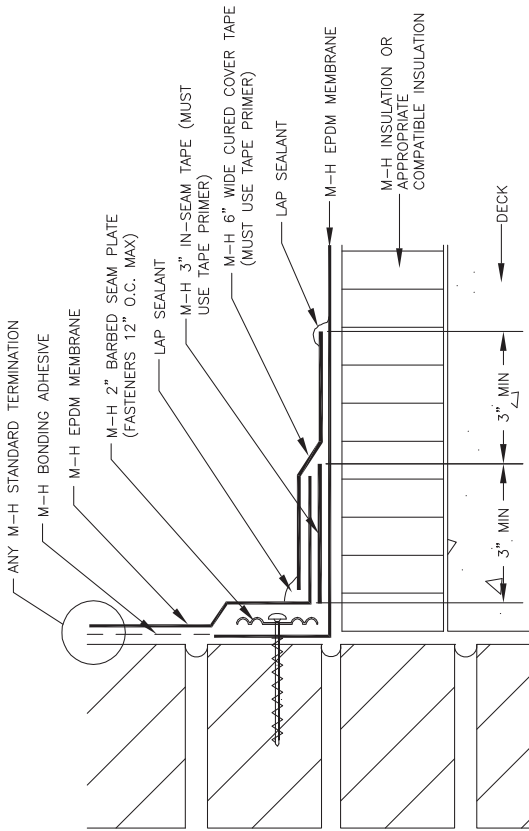
DETAIL NO.:
MHE-121



DETAIL NO.:
MHE-121A

PARAPET/CURB FLASHING 2" BARBED SEAM PLATES/VERTICAL ATTACHMENT SYSTEMS: REINFORCED MEMBRANES ONLY

MULE-HIDE PRODUCTS CO., INC.
12/01/2008

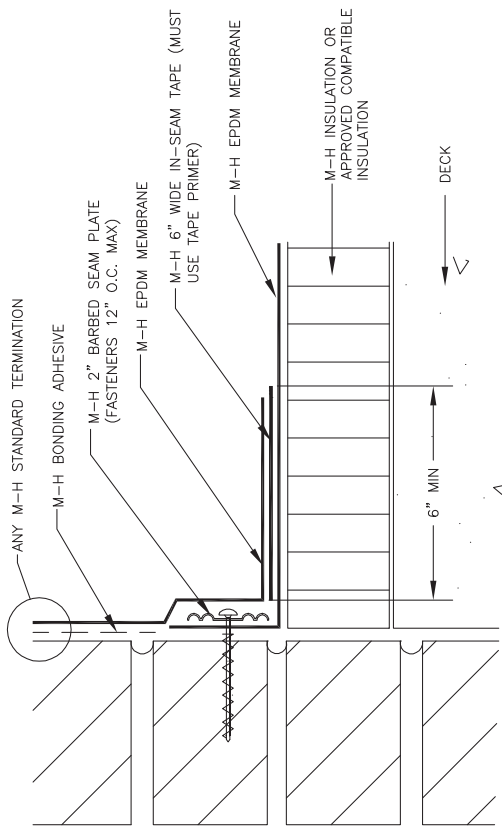


NOTE:
THIS DETAIL IS ACCEPTABLE FOR USE IN
A 20-YEAR WARRANTED SYSTEM

**MULE-HIDE
PRODUCTS CO., INC.**
12/01/2008

**PARAPET/CURB FLASHING 2" BARBED
SEAM PLATES/VERTICAL ATTACHMENT
SYSTEMS:
REINFORCED MEMBRANES ONLY**

DETAIL NO.:
MHE-121B



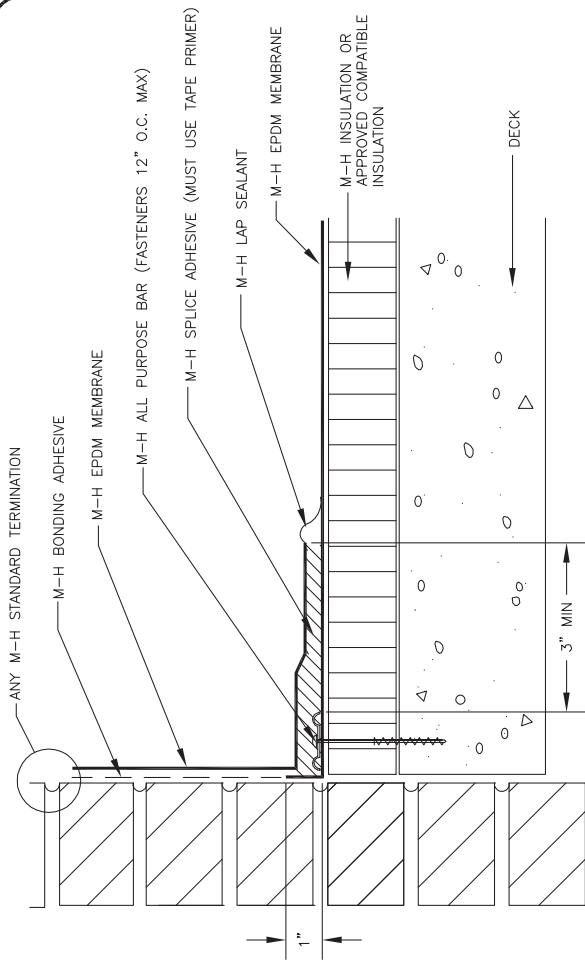
NOTE:

THIS DETAIL IS ACCEPTABLE FOR USE IN
A 20-YEAR WARRANTED SYSTEM

MULE-HIDE
PRODUCTS CO., INC.
12/01/2008

**PARAPET/CURB FLASHING 2" BARBED
SEAM PLATES/VERTICAL ATTACHMENT
SYSTEMS:
REINFORCED MEMBRANES ONLY**

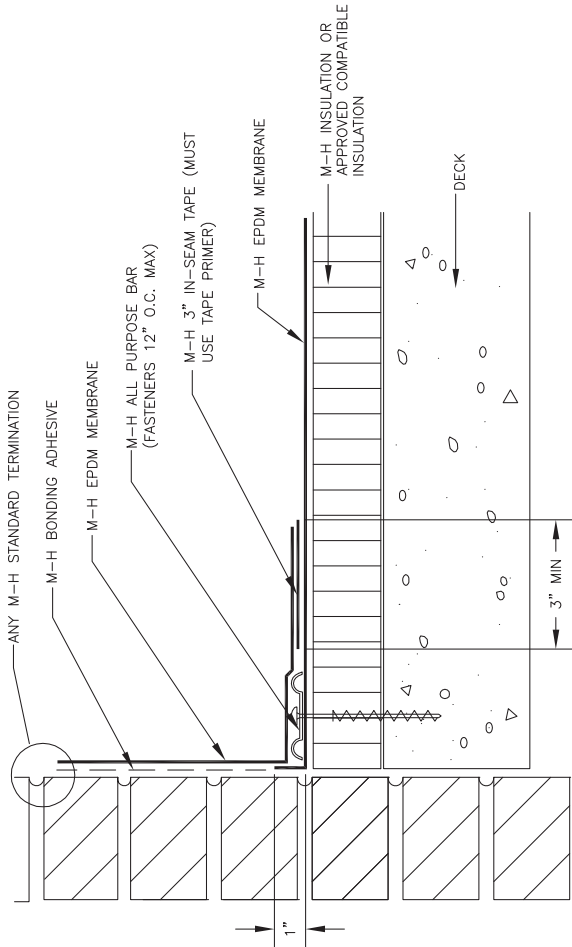
DETAIL NO.:
MHE-121C



DETAIL NO.:
MHE-122

**PARAPET/CURB FLASHING W/A-P BAR
 HORIZONTAL
 SYSTEMS:
 FULLY ADHERED & BALLASTED
 ONLY**

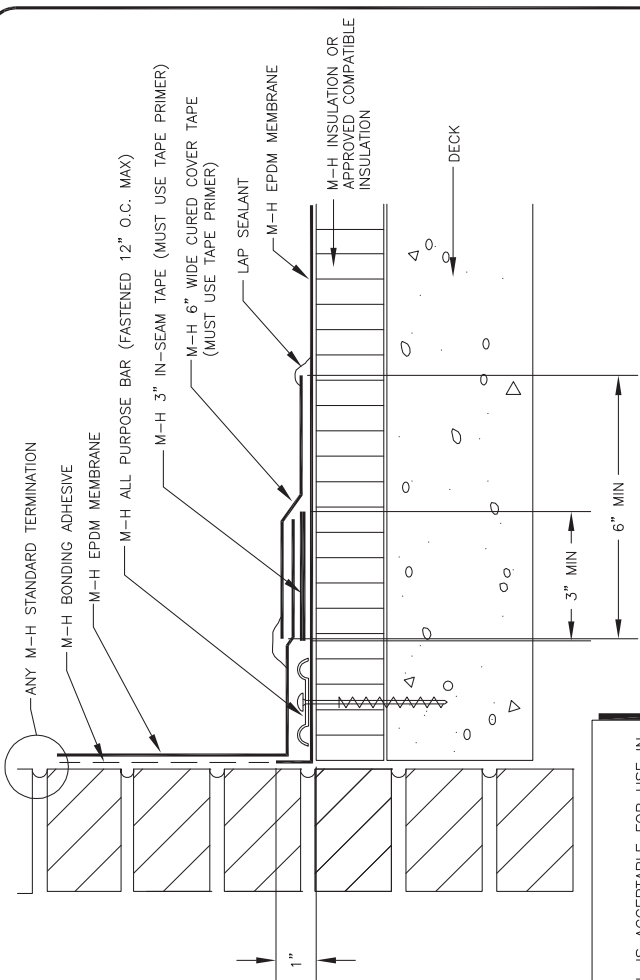
**MULE-HIDE
 PRODUCTS CO., INC.
 12/01/2008**



MULE-HIDE PRODUCTS CO., INC.
 12/1/2008

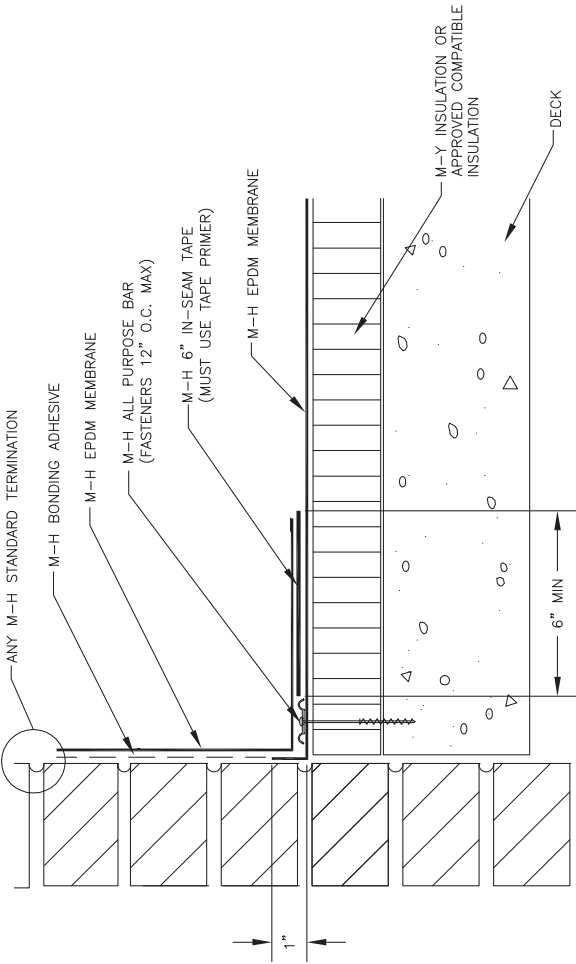
PARAPET/CURB FLASHING W/A-P BAR HORIZONTAL SYSTEMS: ALL

DETAIL NO.:
MHE-122A



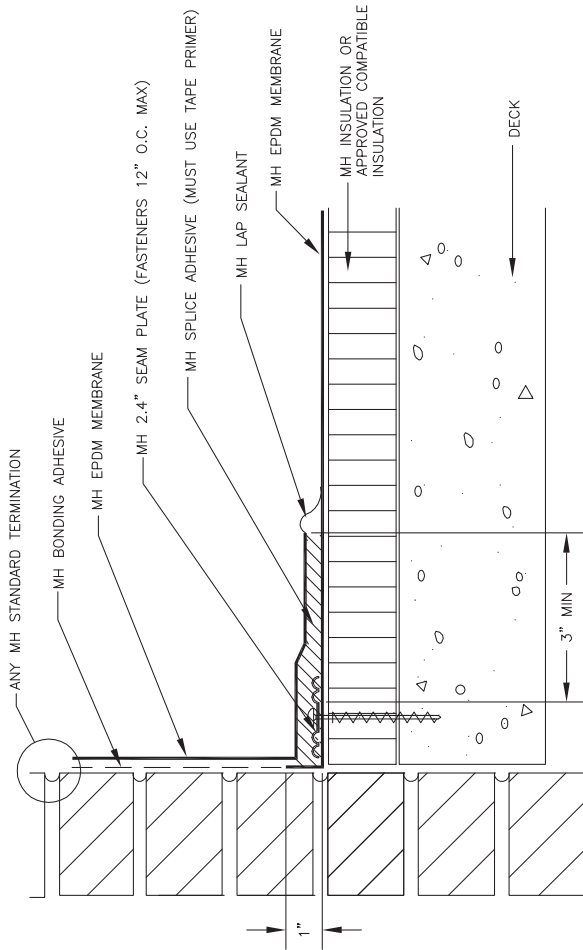
NOTE:
 THIS DETAIL IS ACCEPTABLE FOR USE IN
 A 20-YEAR WARRANTED SYSTEM

MULE-HIDE PRODUCTS CO., INC. 12/01/2008	PARAPET/CURB FLASHING W/A-P BAR HORIZONTAL SYSTEMS: ALL	DETAIL NO.: MHE-122B
---	--	---------------------------------------



NOTE:
 THIS DETAIL IS ACCEPTABLE FOR USE IN
 A 20-YEAR WARRANTED SYSTEM

MULE-HIDE PRODUCTS CO., INC. 12/01/2008	PARAPET/CURB FLASHING W/A-P BAR - HORIZONTAL SYSTEMS: ALL	DETAIL NO.: MHE-122C
--	--	---------------------------------------



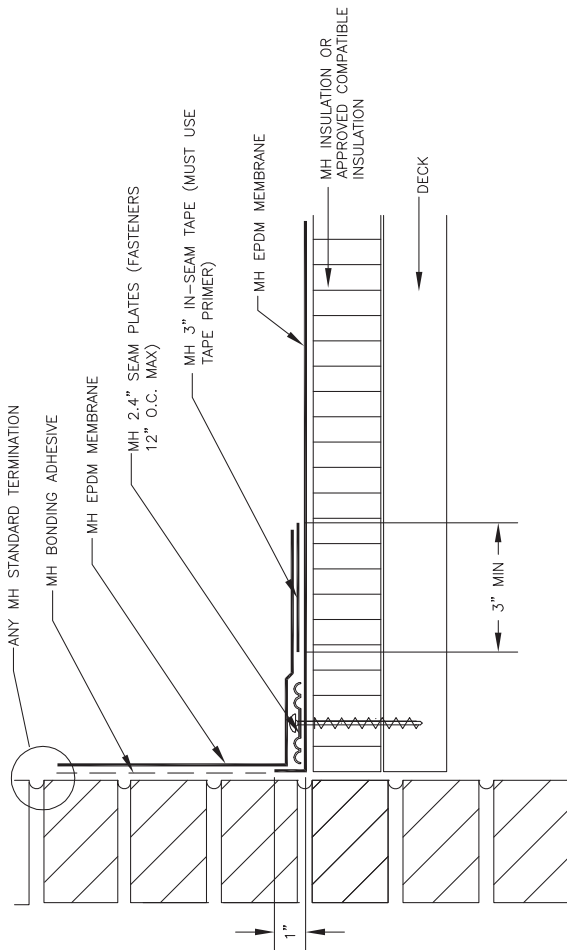
NOTE:

THIS DETAIL IS NOT ACCEPTABLE FOR A 15 OR 20 YEAR WARRANTY.

**MULE-HIDE
PRODUCTS CO., INC.**
12/01/2008

**PARAPET / CURB FLASHING W/
2.4" SEAM PLATES / HORIZONTAL
SYSTEMS:
REINFORCED MEMBRANES ONLY**

DETAIL NO.:
MHE-123



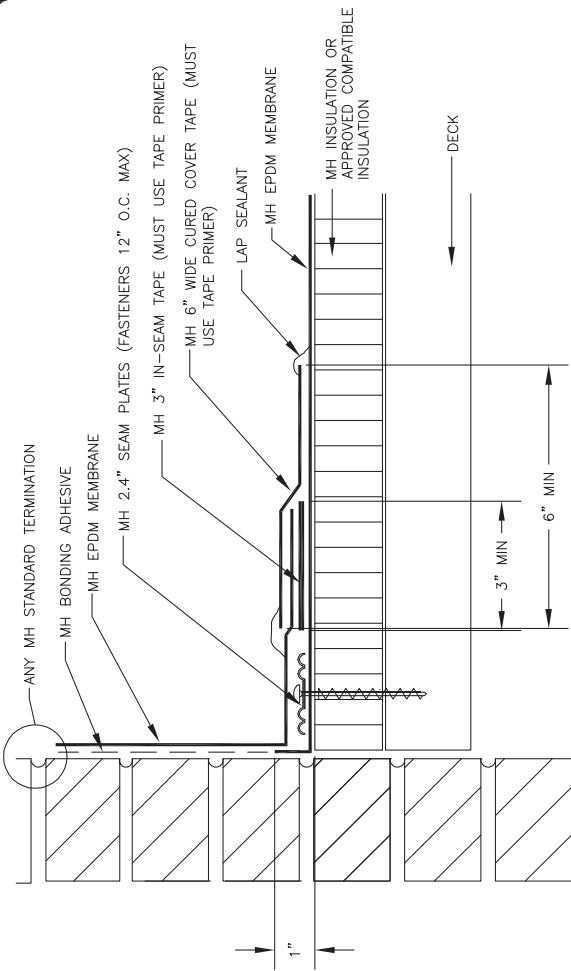
NOTE:

THIS DETAIL IS ACCEPTABLE FOR A 10 OR 15 YEAR WARRANTY.

**MULE-HIDE
PRODUCTS CO., INC.**
12/1/2008

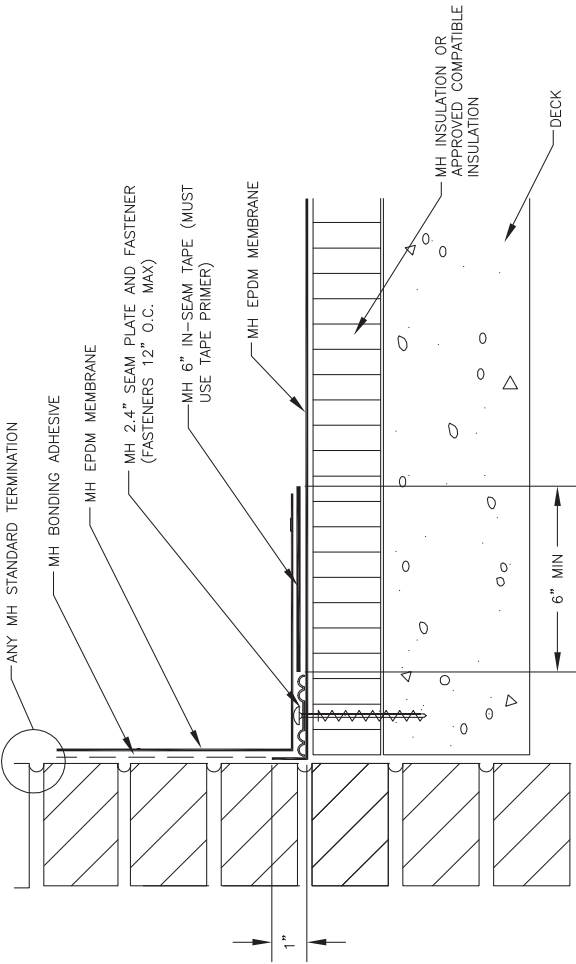
**PARAPET / CURB FLASHING W
2.4" SEAM PLATES - HORIZONTAL
SYSTEMS:
REINFORCED MEMBRANES ONLY**

DETAIL NO.:
MHE-123A



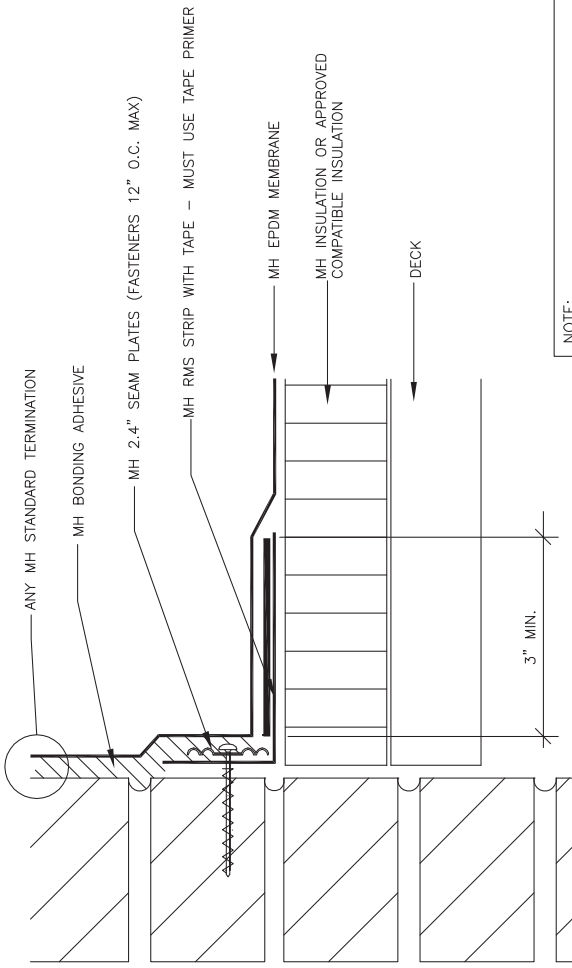
NOTE:
 THIS DETAIL IS ACCEPTABLE FOR USE IN
 A 20-YEAR WARRANTED SYSTEM

MULE-HIDE PRODUCTS CO., INC. 12/01/2008	PARAPET / CURB FLASHING WITH 2.4" SEAM PLATES - HORIZONTAL SYSTEMS: REINFORCED MEMBRANES ONLY	DETAIL NO.: MHE-123B
--	---	---------------------------------------



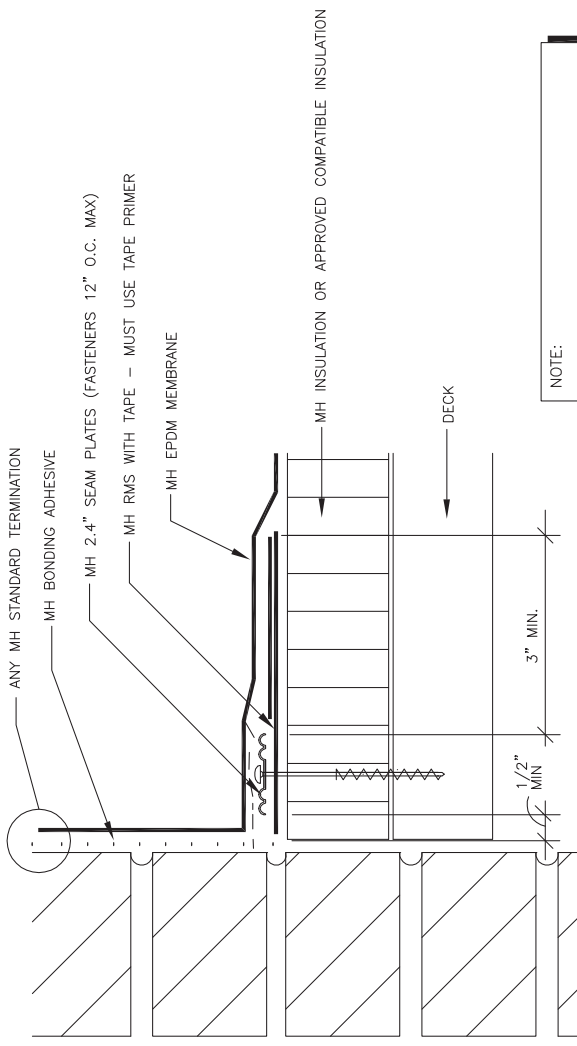
NOTE:
 THIS DETAIL IS ACCEPTABLE FOR USE IN
 A 20-YEAR WARRANTED SYSTEM

MULE-HIDE PRODUCTS CO., INC. 12/01/2008	PARAPET / CURB FLASHING W / 2.4" SEAM PLATES - HORIZONTAL	DETAIL NO.: MHE-123C
	SYSTEMS: REINFORCED MEMBRANES ONLY	



NOTE:
 THIS DETAIL IS ACCEPTABLE FOR USE IN
 A 20-YEAR WARRANTED SYSTEM

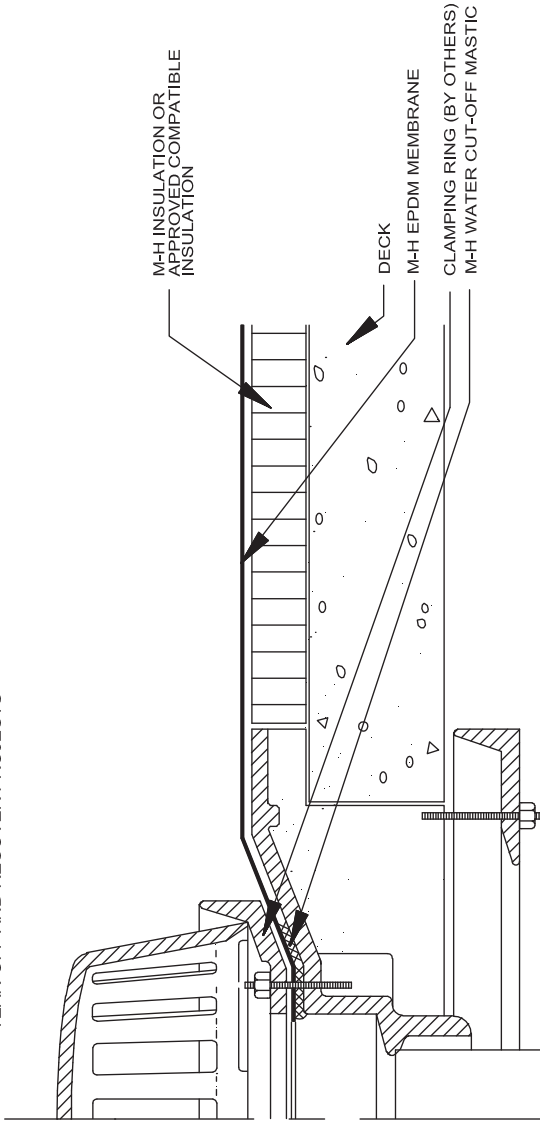
MULE-HIDE PRODUCTS CO., INC. 2010	PARAPET / CURB FLASHING RMS W / TAPE - VERTICAL SYSTEMS: ALL	DETAIL NO.: MHE-124A



NOTE:
 THIS DETAIL IS ACCEPTABLE FOR USE IN
 A 20-YEAR WARRANTED SYSTEM

MULE-HIDE PRODUCTS CO., INC. 2010	PARAPET / CURB FLASHING RMS W / TAPE - HORIZONTAL SYSTEMS: ALL	DETAIL NO.: MHE-125A

NOTE: ALL LEAD AND OTHER FLASHING MATERIAL MUST BE REMOVED ON TEAR-OFF AND RECOVER PROJECTS

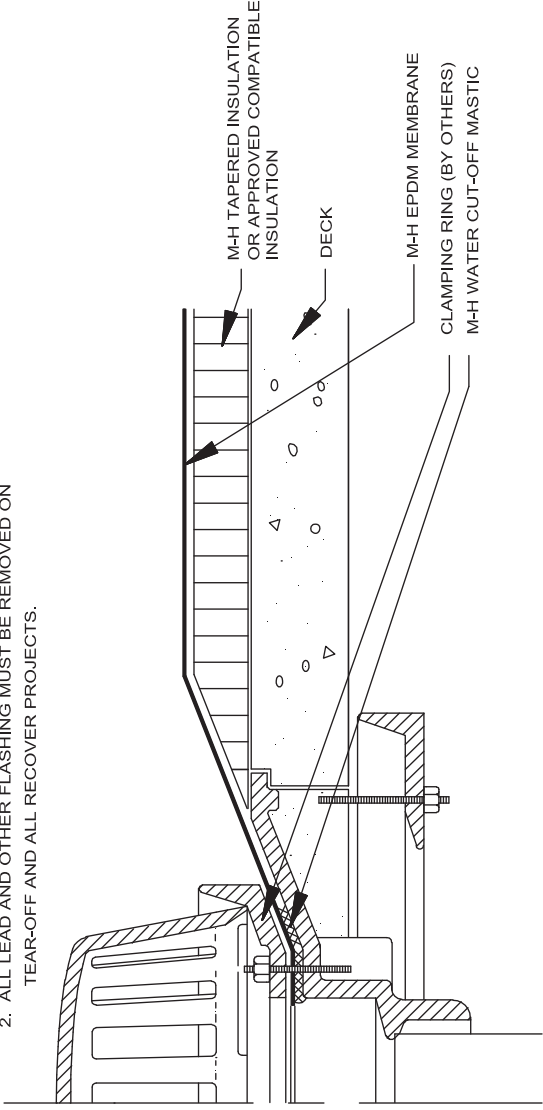


**MULE-HIDE
PRODUCTS CO., INC.
04/01/2004**

ROOF DRAIN
SYSTEMS:
ALL

DETAIL NO.:
MHE-130

- NOTE: 1. FOR ROOF DRAIN SUMPS LESS THAN 2 INCHES INCLINE.
 2. ALL LEAD AND OTHER FLASHING MUST BE REMOVED ON
 TEAR-OFF AND ALL RECOVER PROJECTS.

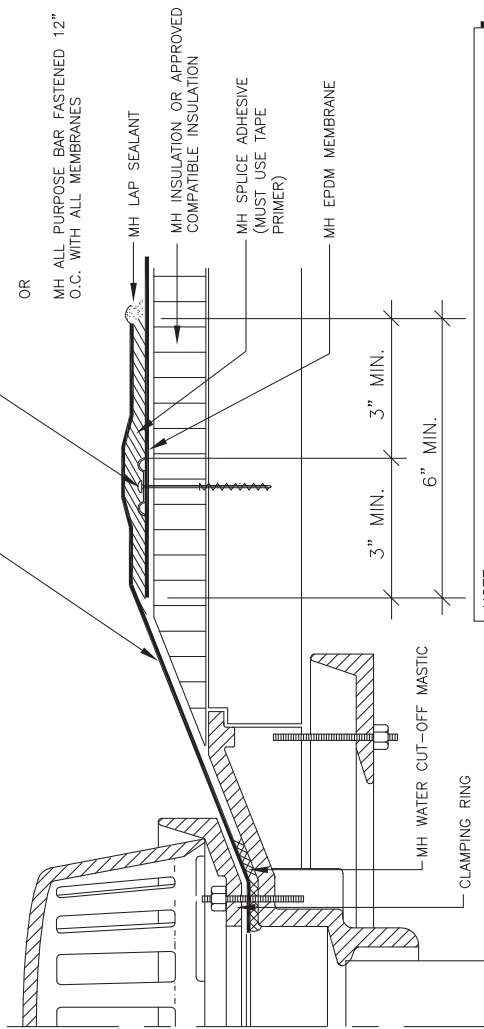


**MULE-HIDE
 PRODUCTS CO., INC.
 04/01/2004**

ROOF DRAIN
 W/ TAPERED INSULATION
 SYSTEMS:
 ALL

DETAIL NO.:
MHE-131

- NOTE:
1. FOR ROOF DRAIN SUMPS LESS THAN 2" INCLINE.
 2. ALL LEAD AND OTHER FLASHING MUST BE REMOVED ON TEAR-OFF AND ALL RECOVER PROJECTS.
 3. IN-SEAM TAPE WITH TAPE PRIMER MAY BE SUBSTITUTED FOR SPLICE ADHESIVE (3" MIN TAPE REQUIRED)

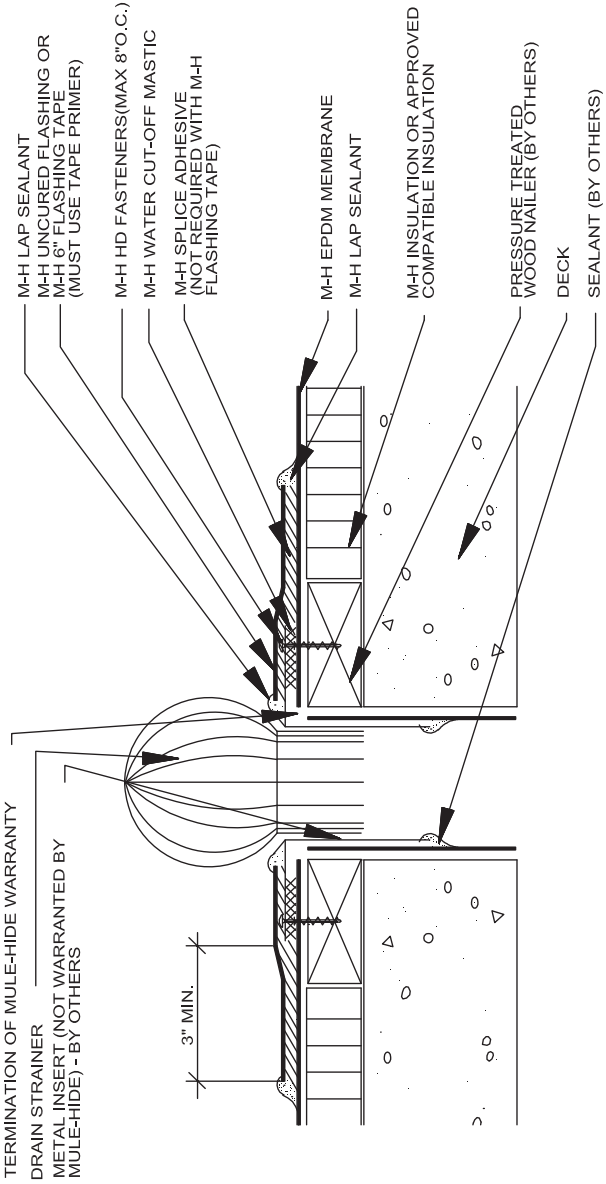


NOTE:
 THIS DETAIL IS NOT ACCEPTABLE FOR A 15 OR 20 YEAR WARRANTY.

**MULE-HIDE
 PRODUCTS CO., INC.**
 2010

**ROOF DRAIN
 WITH SUMP
 SYSTEMS:**
ALL

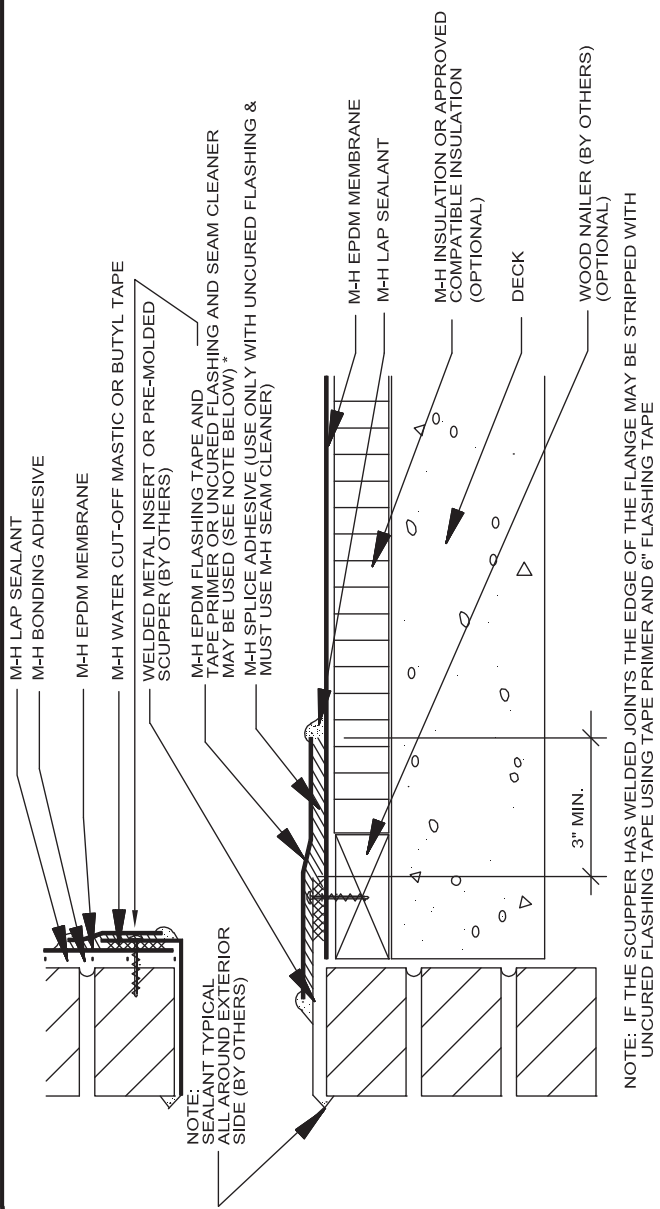
DETAIL NO.:
MHE-132



**MULE-HIDE
PRODUCTS CO., INC.
04/01/2004**

**DRAIN INSERT
SYSTEMS:
ALL**

**DETAIL NO.:
MHE-133**



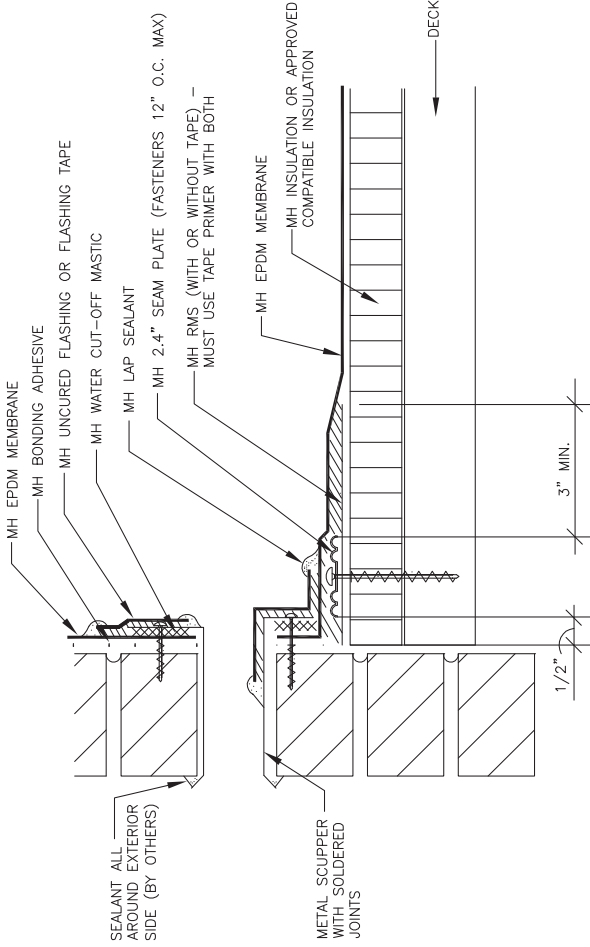
NOTE: IF THE SCUPPER HAS WELDED JOINTS THE EDGE OF THE FLANGE MAY BE STRIPPED WITH UNCURED FLASHING TAPE USING TAPE PRIMER AND 6" FLASHING TAPE

MULE-HIDE PRODUCTS CO., INC.
04/01/2004

THROUGH WALL SCUPPER WITH METAL INSERT

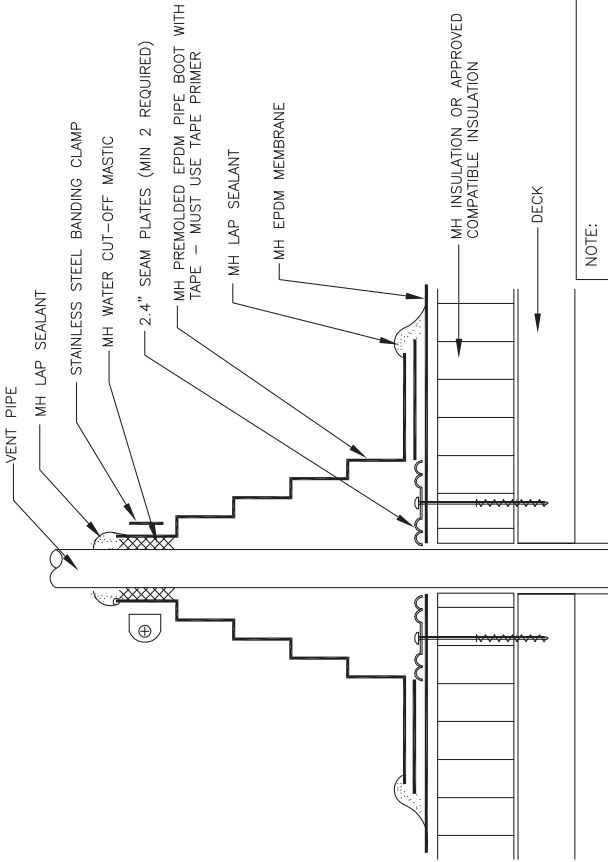
SYSTEMS:
 ALL

DETAIL NO.:
MHE-134
B



NOTE: SINGLE SEAL ADHESIVE IS NOT APPROVED ON THIS DETAIL

MULE-HIDE PRODUCTS CO., INC. 2010	THROUGH WALL OVERFLOW SCUPPER WITH METAL INSERT	DETAIL NO.: MHE-135
	SYSTEMS: ALL	



NOTE:
 THIS DETAIL IS ACCEPTABLE FOR USE IN
 A 20-YEAR WARRANTED SYSTEM

**PREFORMED EPDM PIPE BOOT
 WITH TAPE
 SYSTEMS:**

MECHANICALLY FASTENED

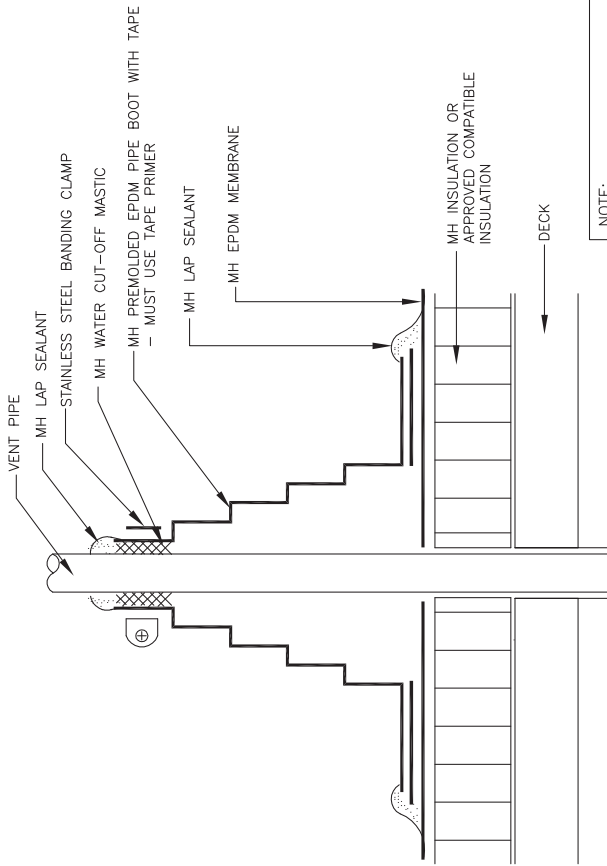
MULE-HIDE

PRODUCTS CO., INC.

2010

DETAIL NO.:

MHE-140A



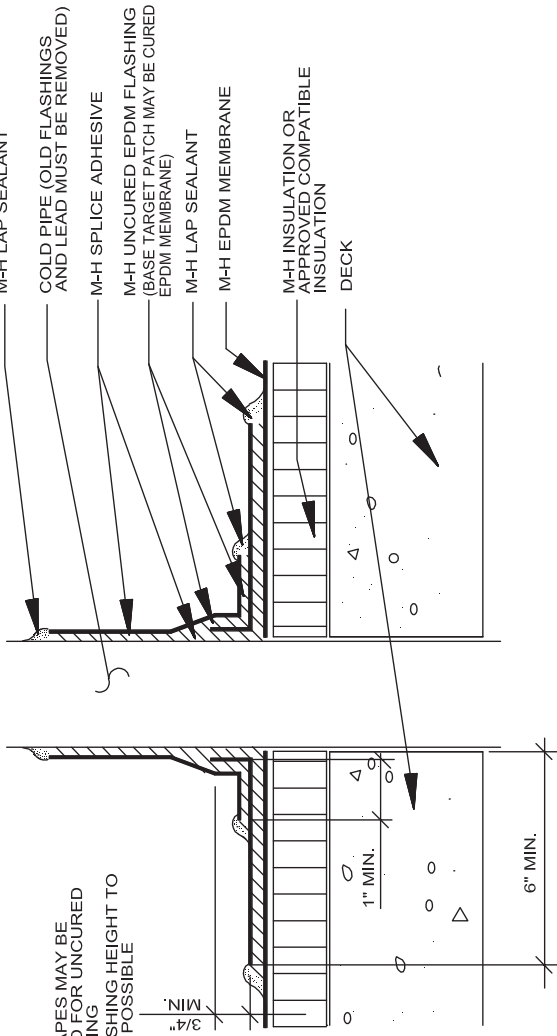
NOTE:

THIS DETAIL IS ACCEPTABLE FOR USE IN
A 20-YEAR WARRANTED SYSTEM

<p>MULE-HIDE PRODUCTS CO., INC. 2010</p>	<p>PREMOLDED EPDM PIPE BOOT WITH TAPE SYSTEMS: BALLASTED AND FULLY ADHERED</p>	<p>DETAIL NO.: MHE-140C</p>
---	---	---

NOTE:

1. FLASHING TAPES MAY BE SUBSTITUTED FOR UNCURED EPDM FLASHING
2. MINIMUM FLASHING HEIGHT TO BE 8" WHERE POSSIBLE



NOTE: IF USING UNCURED FLASHING, PREP EPDM MEMBRANE AND PIPE WITH SEAM CLEANER PRIOR TO APPLYING SPLICE ADHESIVE. IF USING FLASHING TAPE, PREP WITH TAPE PRIMER.

**MULE-HIDE
PRODUCTS CO., INC.
04/01/2004**

FIELD FABRICATED
PIPE FLASHING

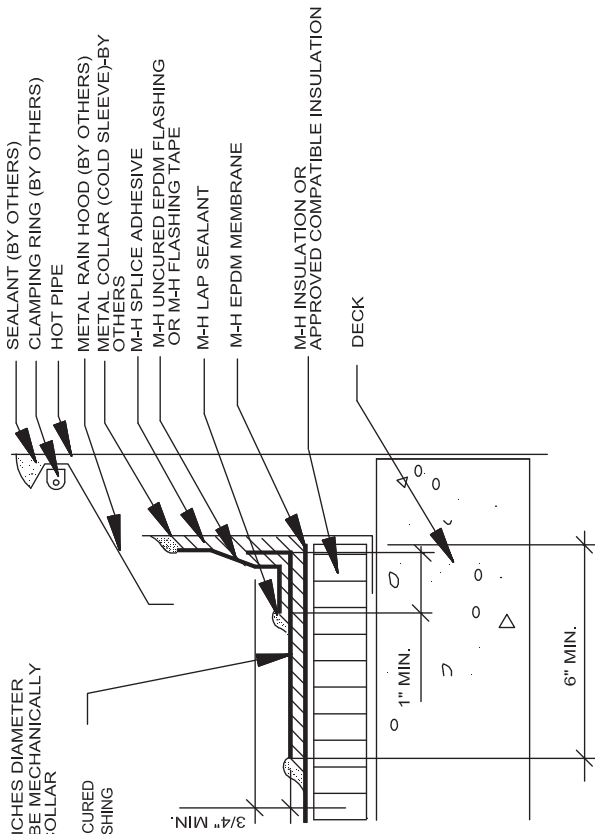
SYSTEMS:
ALL

DETAIL NO.:

MHE-141

NOTE:
FOR ALL PIPES OVER 6 INCHES DIAMETER
FIELD MEMBRANE MUST BE MECHANICALLY
ATTACHED AT BASE OF COLLAR

BASE TARGET PATCH MAY BE CURED
MEMBRANE OR UNCURED FLASHING



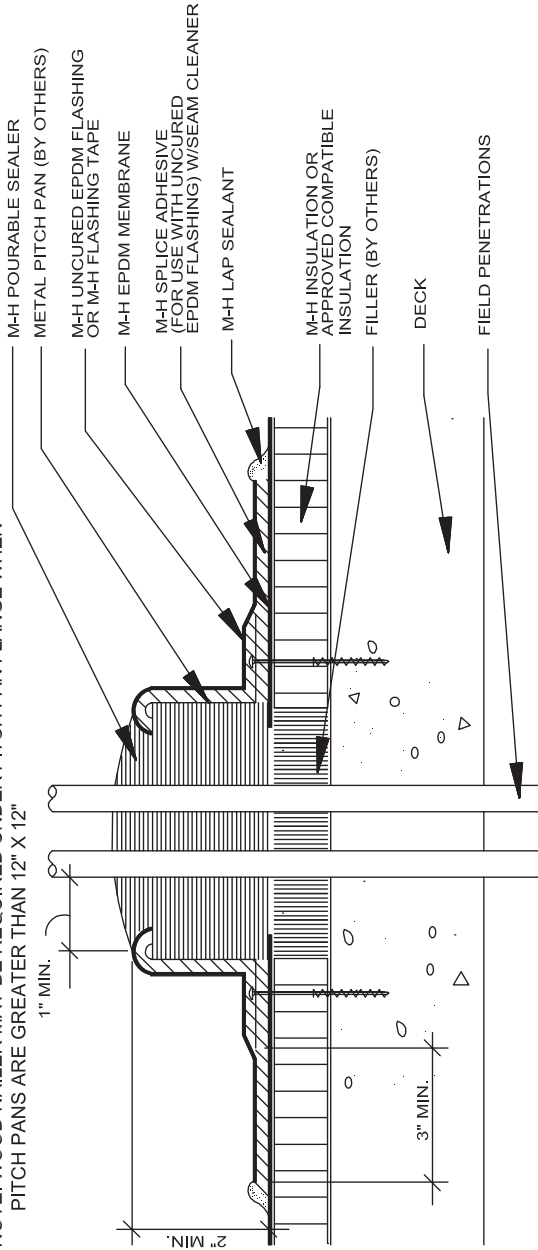
NOTE: IF USING UNCURED FLASHING, PREP EPDM MEMBRANE AND PIPE WITH SEAM CLEANER PRIOR TO
APPLYING SPLICE ADHESIVE. IF USING FLASHING TAPE, PREP WITH TAPE PRIMER.

**MULE-HIDE
PRODUCTS CO., INC.
04/01/2004**

FIELD FABRICATED
HOT PIPE
SYSTEMS:
ALL

DETAIL NO.:
MHE-142

NOTE: WOOD NAILER MAY BE REQUIRED UNDER PITCH PAN FLANGE WHEN PITCH PANS ARE GREATER THAN 12" X 12"



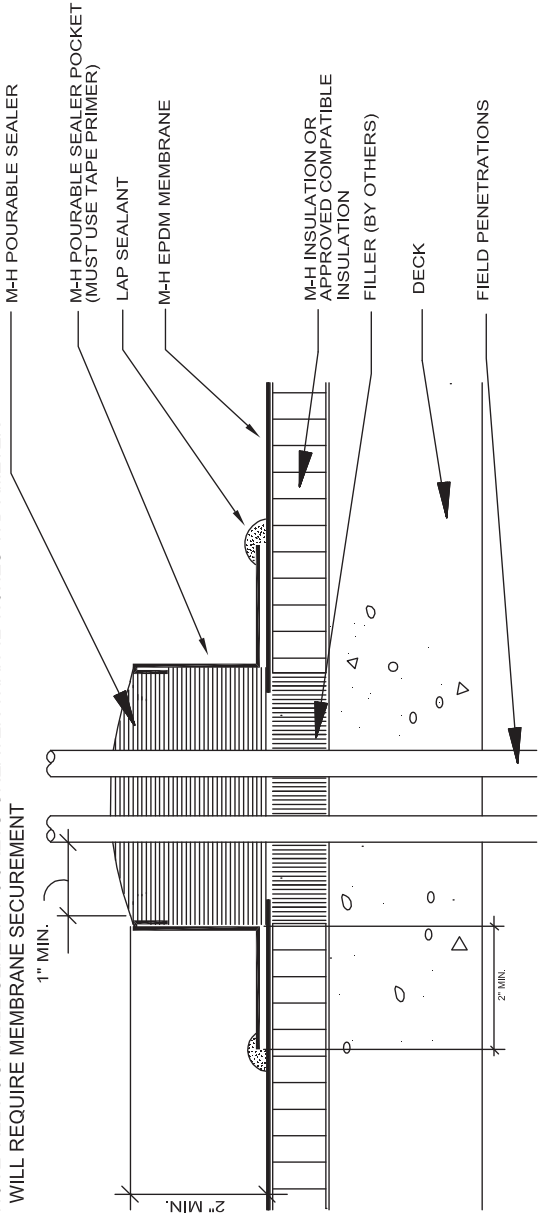
NOTE: IF USING FLASHING TAPE, APPLY TAPE PRIMER TO BOTH EPDM MEMBRANE, TOP SURFACES OF FLASHING TAPE (FOR OVERLAPS) AND METAL PRIOR TO APPLYING FLASHING TAPE.

MULE-HIDE
PRODUCTS CO., INC.
04/01/2004

FIELD FABRICATED
 PITCH PAN
 SYSTEMS:
 ALL

DETAIL NO.:
MHE-143

NOTE: ALL POURABLE SEALER POCKETS GREATER THAN 12 INCHES IN DIAMETER WILL REQUIRE MEMBRANE SECUREMENT

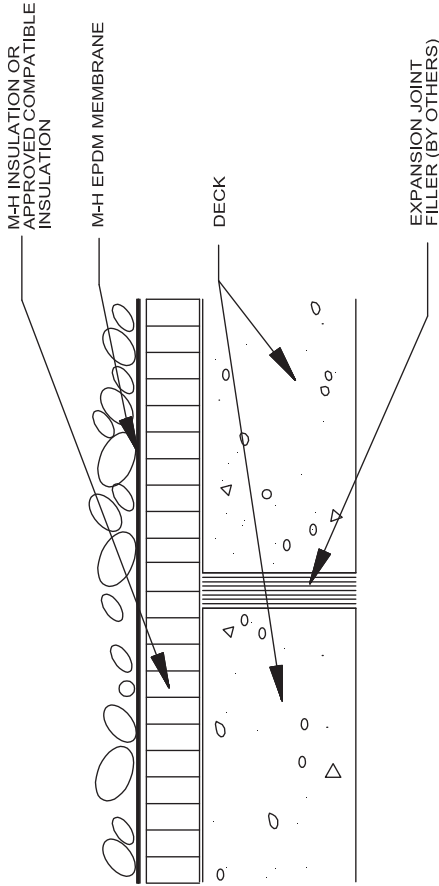


DO NOT INSTALL AGAINST A HOT PIPE OF 180 DEGREES FAHRENHEIT OR HIGHER. POURABLE SEALER MUST CONTACT BARE SURFACE OF THE PENETRATION.

MULE-HIDE PRODUCTS CO., INC.
04/01/2004

POURABLE SEALER POCKET
 SYSTEMS: ALL

DETAIL NO.:
MHE-144

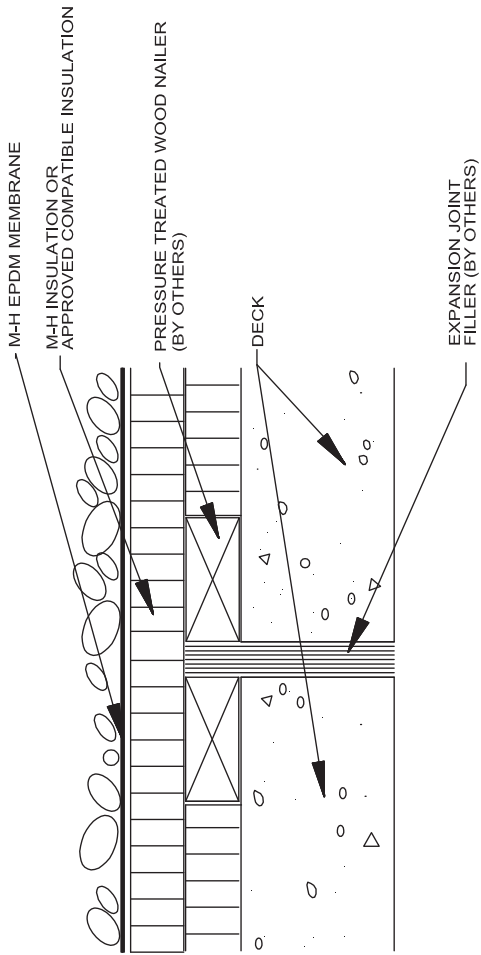


**MULE-HIDE
PRODUCTS CO., INC.
04/01/2004**

EXPANSION JOINT
FIELD JOINT

SYSTEMS:
BALLAST ONLY

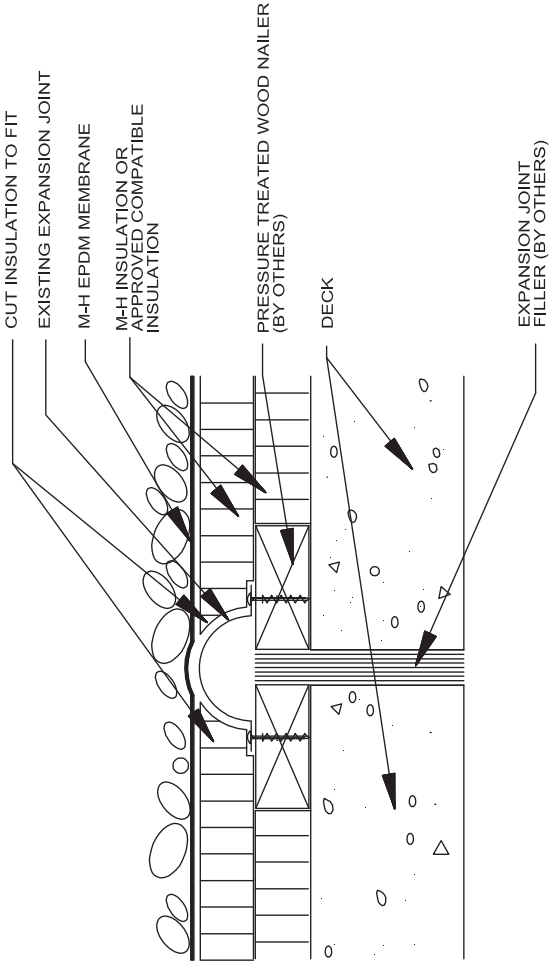
DETAIL NO.:
MHE-150



**MULE-HIDE
PRODUCTS CO., INC.
04/01/2004**

EXPANSION JOINT
EXISTING FIELD JOINT "A"
SYSTEMS:
BALLAST ONLY

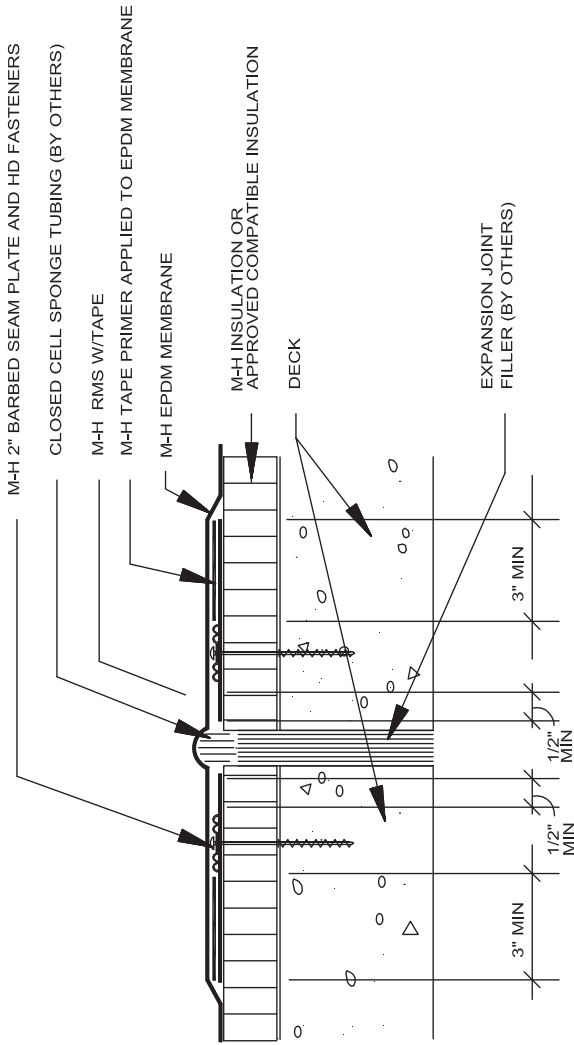
DETAIL NO.:
MHE-151



**MULE-HIDE
PRODUCTS CO., INC.
04/01/2004**

EXPANSION JOINT
EXISTING FIELD JOINT "B"
SYSTEMS:
BALLAST ONLY

DETAIL NO.:
MHE-152



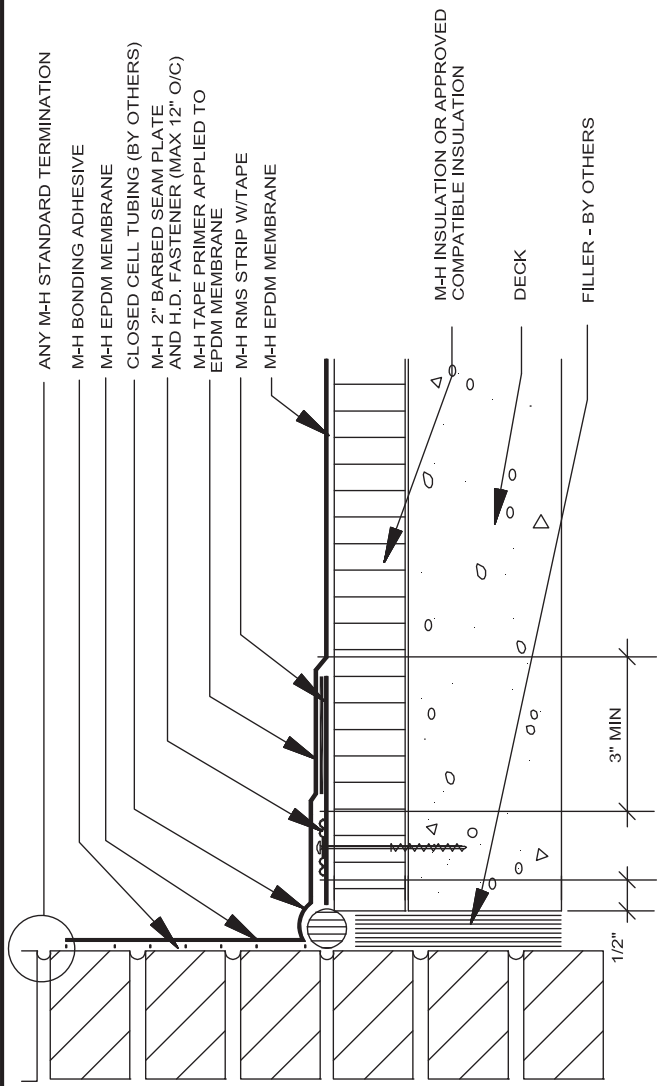
DETAIL NO.:

MHE-153B

EXPANSION JOINT
FIELD JOINT

SYSTEMS:
ADHERED &
MECHANICAL ATTACHED

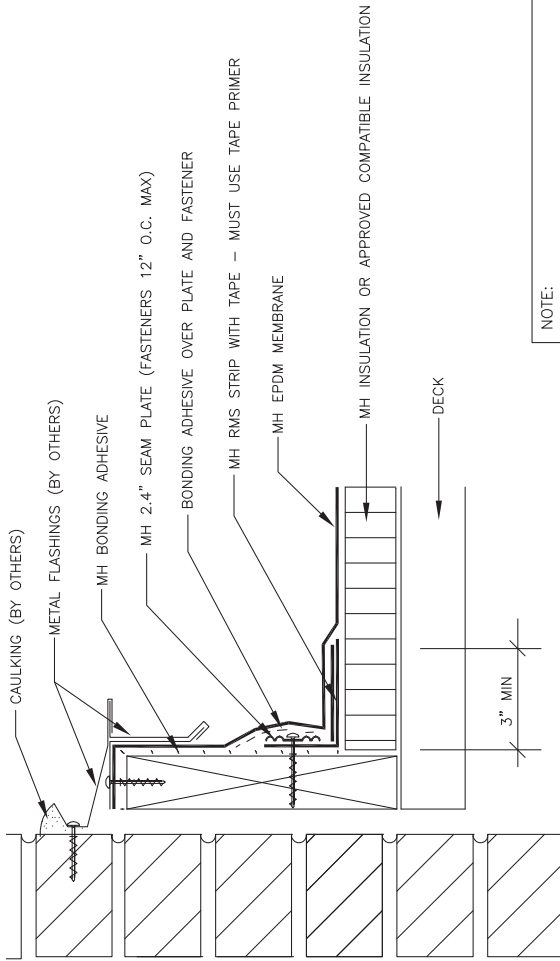
**MULE-HIDE
PRODUCTS CO., INC.
04/01/2004**



**MULE-HIDE
PRODUCTS CO., INC.
04/01/2004**

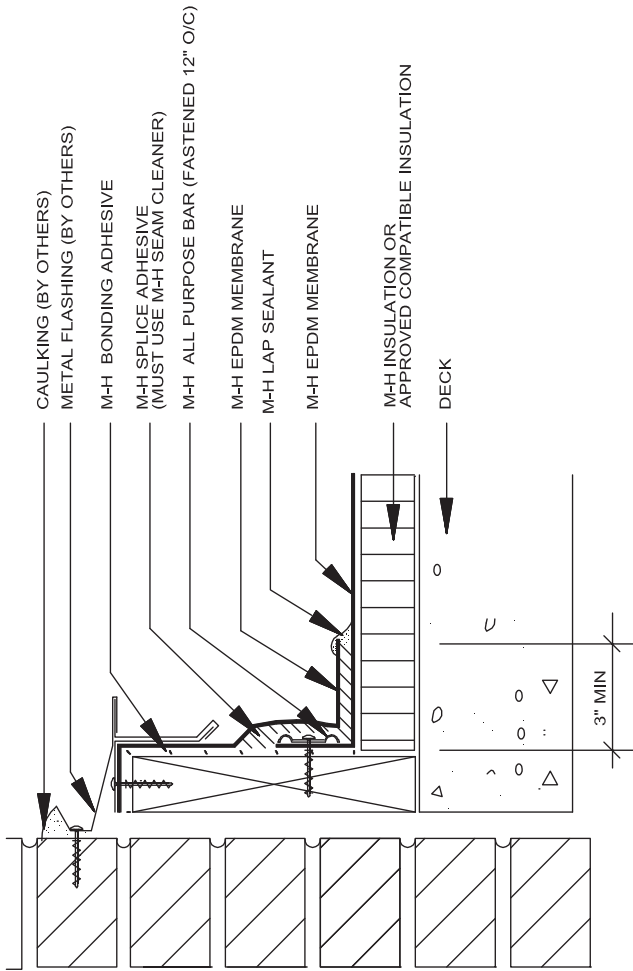
EXPANSION JOINT
DECK TO WALL JOINT - "A"
SYSTEMS:
ALL

DETAIL NO.:
MHE-154B



NOTE:
 THIS DETAIL IS ACCEPTABLE FOR USE IN
 A 20-YEAR WARRANTED SYSTEM

MULE-HIDE PRODUCTS CO., INC. 2010	EXPANSION JOINT DECK TO WALL JOINT SYSTEMS: ALL	DETAIL NO.: MHE-155A



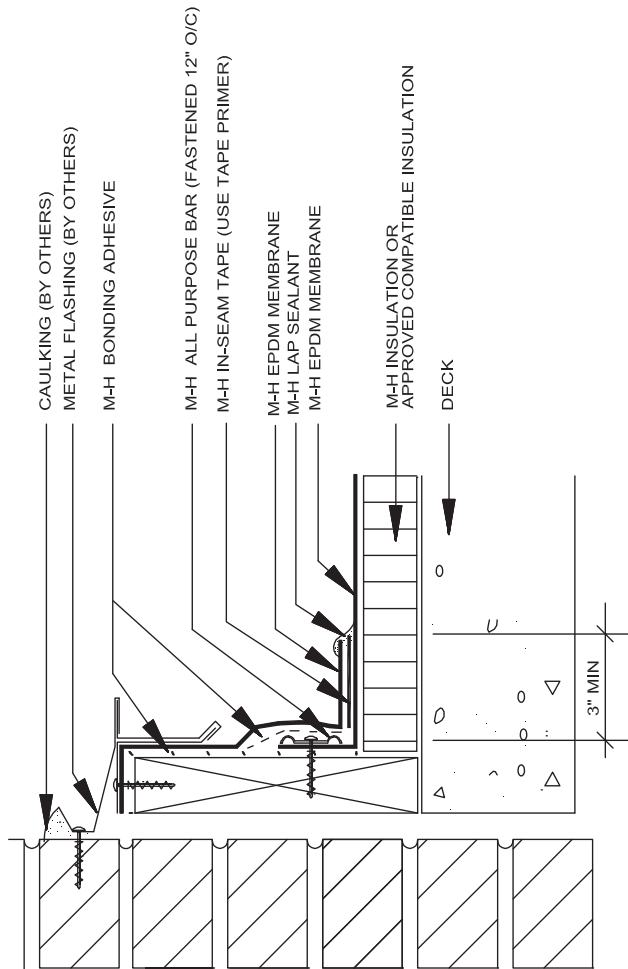
MULE-HIDE
PRODUCTS CO., INC.
04/01/2004

EXPANSION JOINT
 DECK TO WALL JOINT - "C"

SYSTEMS:
 ALL

DETAIL NO.:

MHE-156A



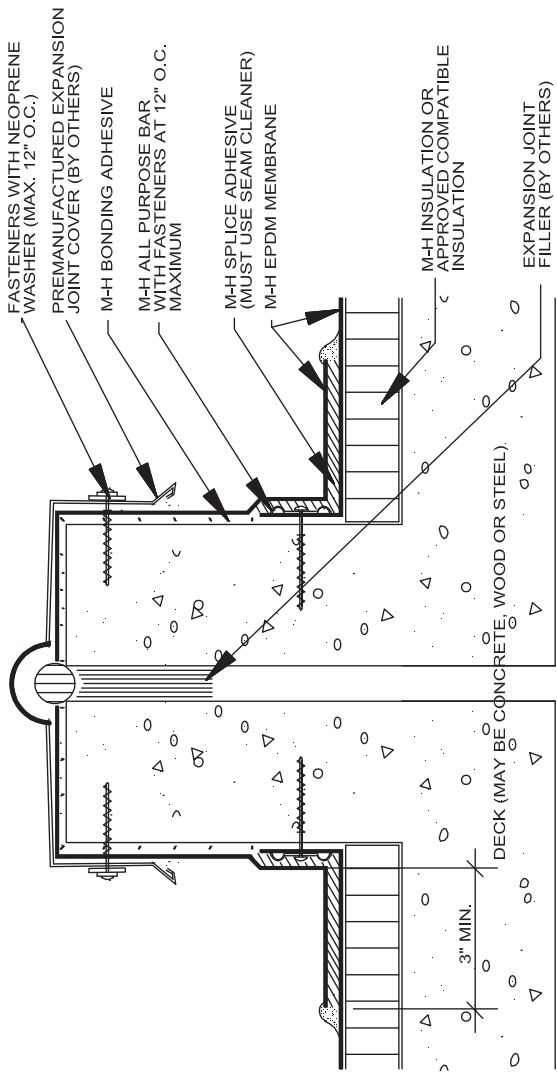
**MULE-HIDE
PRODUCTS CO., INC.
04/01/2004**

EXPANSION JOINT
DECK TO WALL JOINT - "C"

SYSTEMS:
ALL

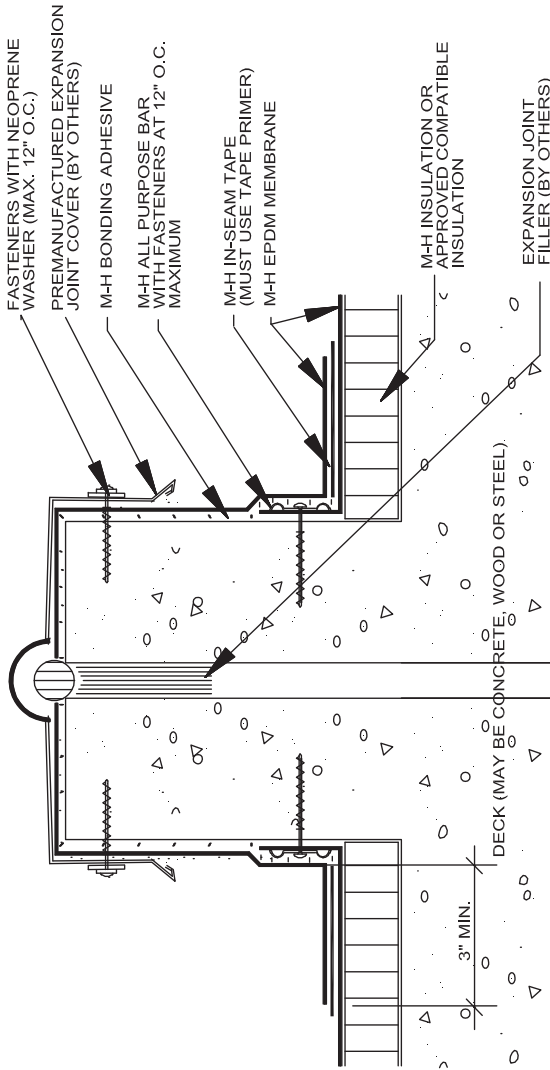
DETAIL NO.:

MHE-156B



NOTE: DECK AND CURB MAY BE CONCRETE, STEEL OR WOOD.

MULE-HIDE PRODUCTS CO., INC. 04/01/2004	EXPANSION JOINT CURB/FIREWALL	DETAIL NO.: MHE-157A
	SYSTEMS: ALL	



NOTE: DECK AND CURB MAY BE CONCRETE, STEEL OR WOOD.

**MULE-HIDE
PRODUCTS CO., INC.
04/01/2004**

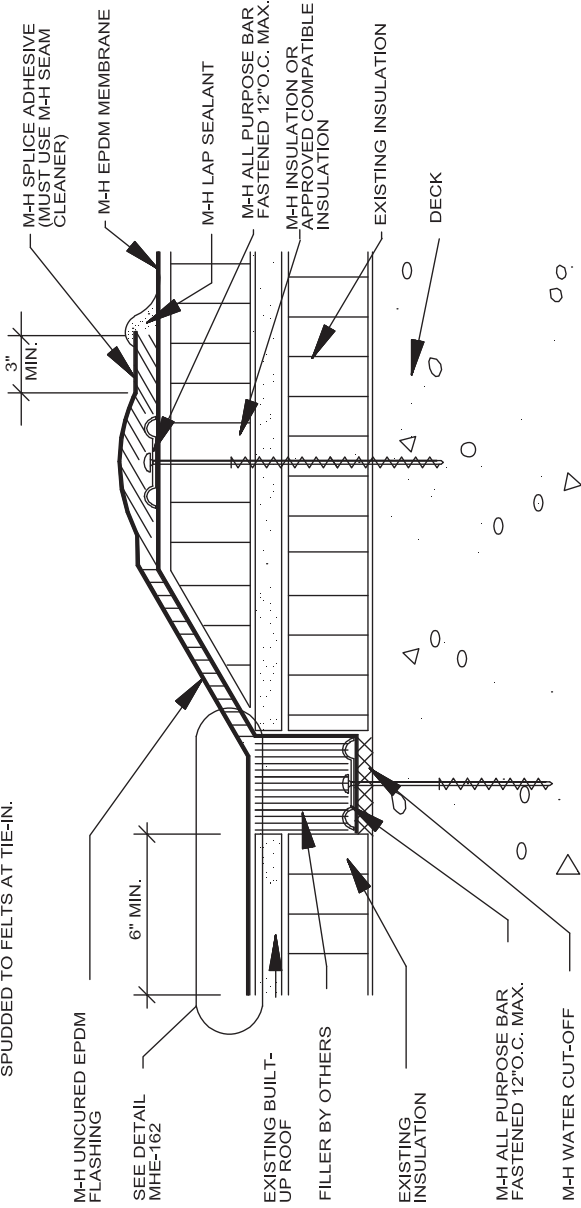
EXPANSION JOINT
CURB/FIREWALL

SYSTEMS:
ALL

DETAIL NO.:

MHE-157B

NOTE: ON GRAVEL SURFACED BUR SYSTEMS - GRAVEL MUST BE
SPUDDLED TO FELTS AT TIE-IN.

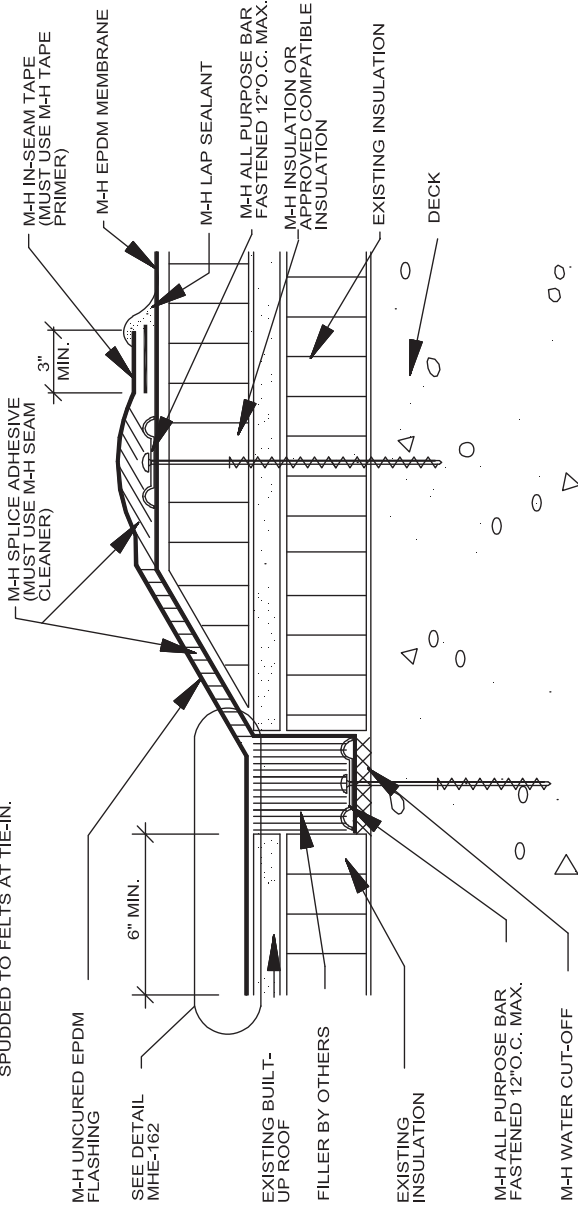


**MULE-HIDE
PRODUCTS CO., INC.
04/01/2004**

EPDM TIE-IN TO
BUILT-UP ROOF
SYSTEMS:
ALL

DETAIL NO.:
MHE-160A

NOTE: ON GRAVEL SURFACED BUR SYSTEMS - GRAVEL MUST BE
SPUDDO TO FELTS AT TIE-IN.



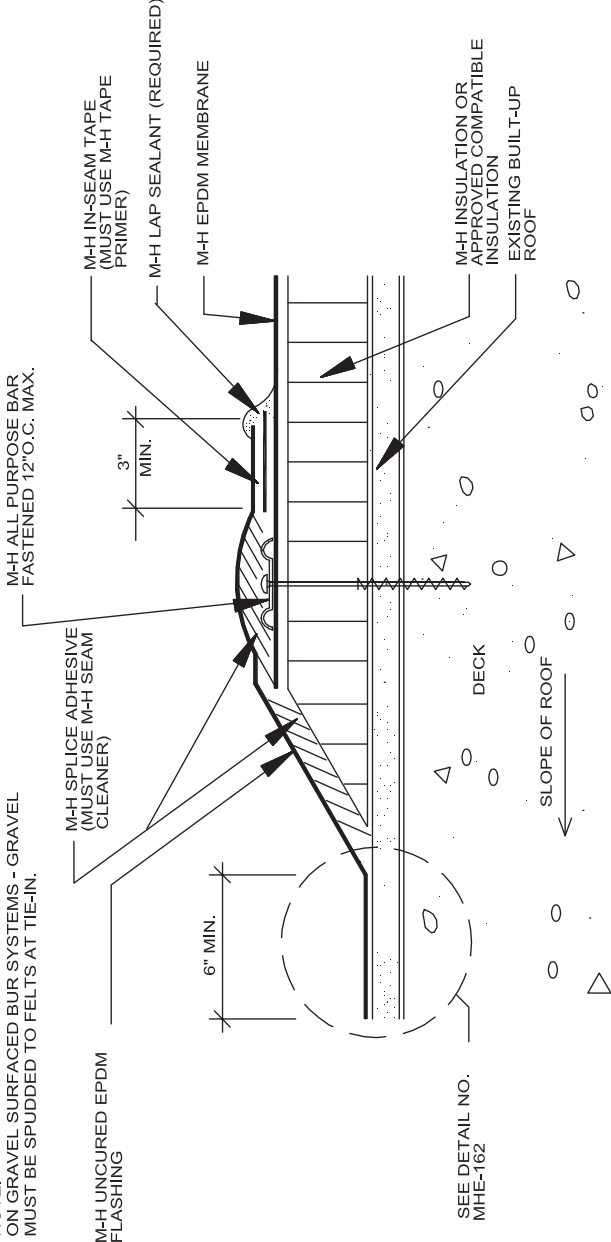
**MULE-HIDE
PRODUCTS CO., INC.**
04/01/2004

EPDM TIE-IN TO
BUILT-UP ROOF

SYSTEMS:
ALL

DETAIL NO.:
MHE-160B

NOTE:
ON GRAVEL SURFACED BUR SYSTEMS - GRAVEL
MUST BE SPURRED TO FELTS AT TIE-IN.



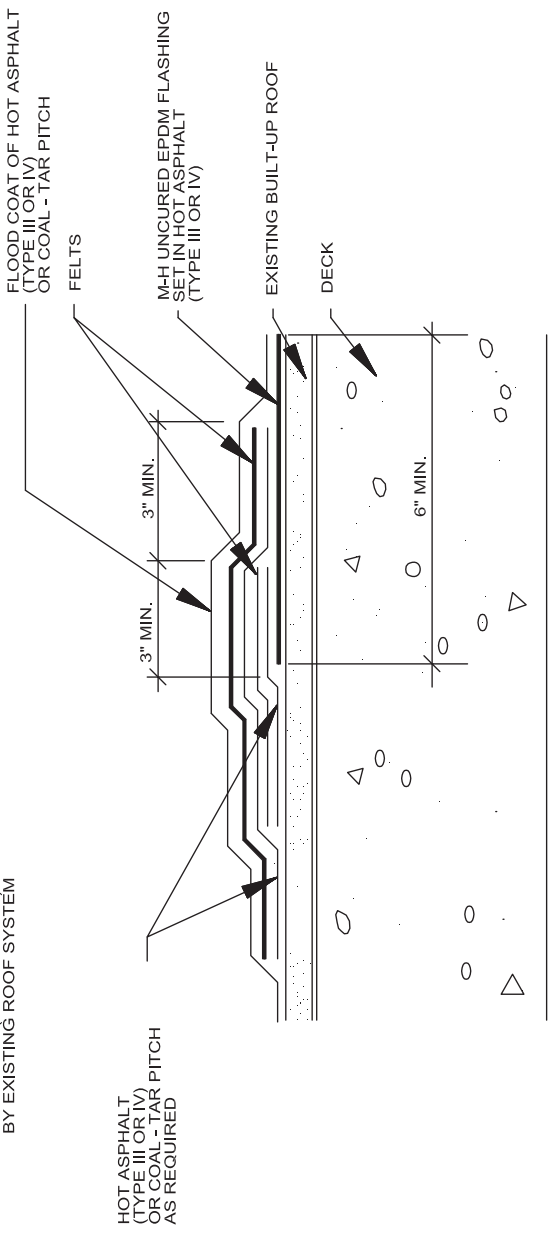
SEE DETAIL NO.
MHE-162

**MULE-HIDE
PRODUCTS CO., INC.
04/01/2004**

EPDM TIE-IN TO
BUILT-UP ROOF
SYSTEMS:
ALL

DETAIL NO.:
MHE-161B

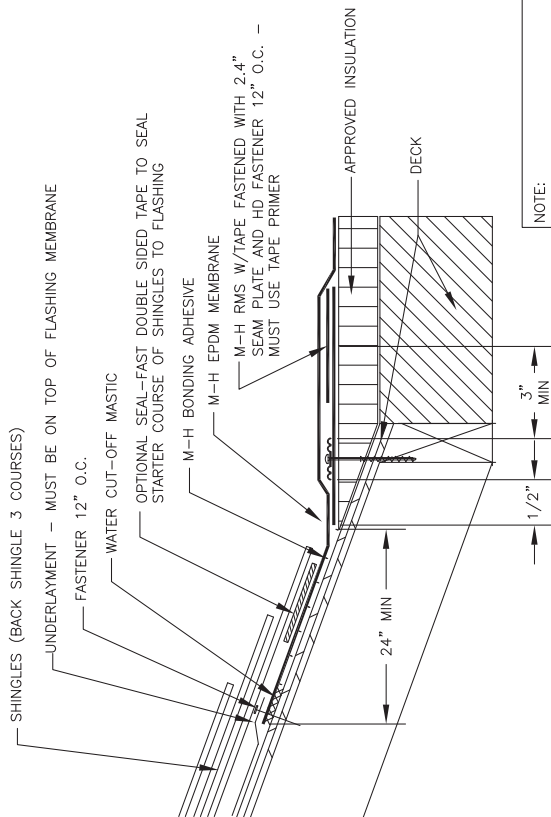
NOTE:
 1. ON GRAVEL SURFACED BUILT-UP SYSTEMS - GRAVEL MUST BE
 SPURRED TO FELTS AT TIE-IN.
 2. HOT ASPHALT (TYPE III OR IV) OR COAL TAR PITCH TO BE DETERMINED
 BY EXISTING ROOF SYSTEM



**MULE-HIDE
 PRODUCTS CO., INC.
 04/01/2004**

EPDM TIE-IN
 HOT STRIPPING
 SYSTEMS:
 ALL

DETAIL NO.:
MHE-162



NOTE:

EPDM MEMBRANE MUST EXTEND A MINIMUM OF 24" UP THE SLOPE OF THE ROOF OR UP UNDER A MINIMUM OF 3 COURSES OF SHINGLES

**EPDM BASE TIE-IN TO SHINGLE
ROOF WITH RMS W/TAPE
SYSTEMS:**

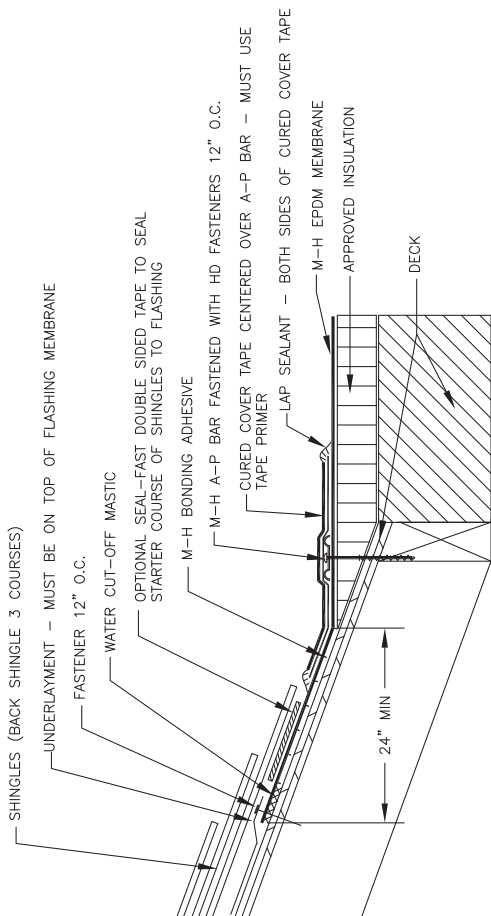
ALL

**MULE-HIDE
PRODUCTS CO., INC.**

DETAIL NO.:

MHE-163A

REVISION DATE: 10/2016



NOTE:

EPDM MEMBRANE MUST EXTEND A MINIMUM OF 24" UP THE SLOPE OF THE ROOF OR UP UNDER A MINIMUM OF 3 COURSES OF SHINGLES

EPDM BASE TIE-IN TO SHINGLE
ROOF WITH A-P BAR
SYSTEMS:

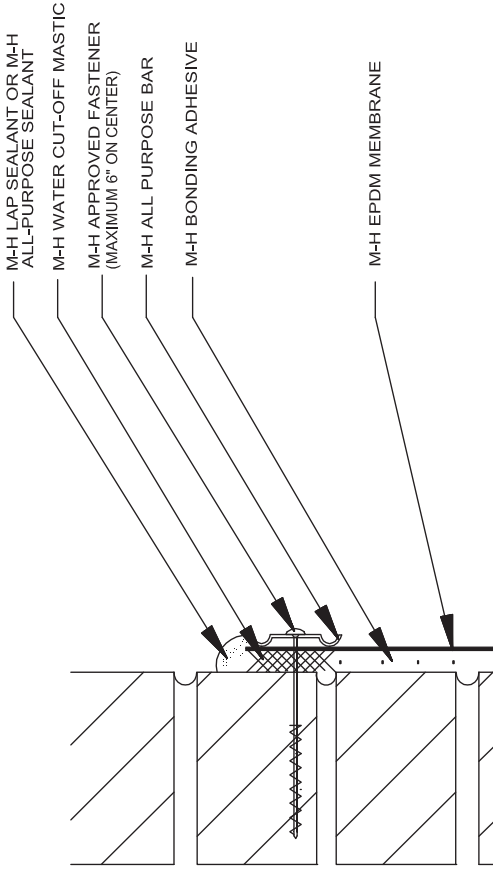
ALL

DETAIL NO.:

MHE-164

REVISION DATE: 10/2016

**MULE-HIDE
PRODUCTS CO., INC.**

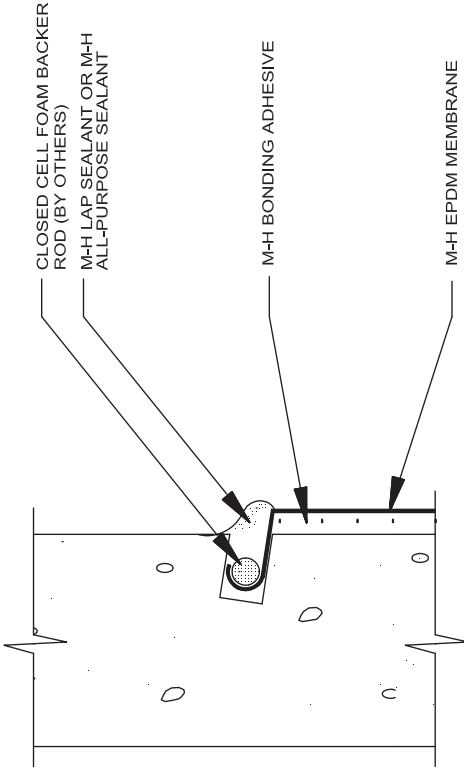


**MULE-HIDE
PRODUCTS CO., INC.
04/01/2004**

VERTICAL TERMINATION
WITH A-P BAR
SYSTEMS:
ALL

DETAIL NO.:
MHE-170

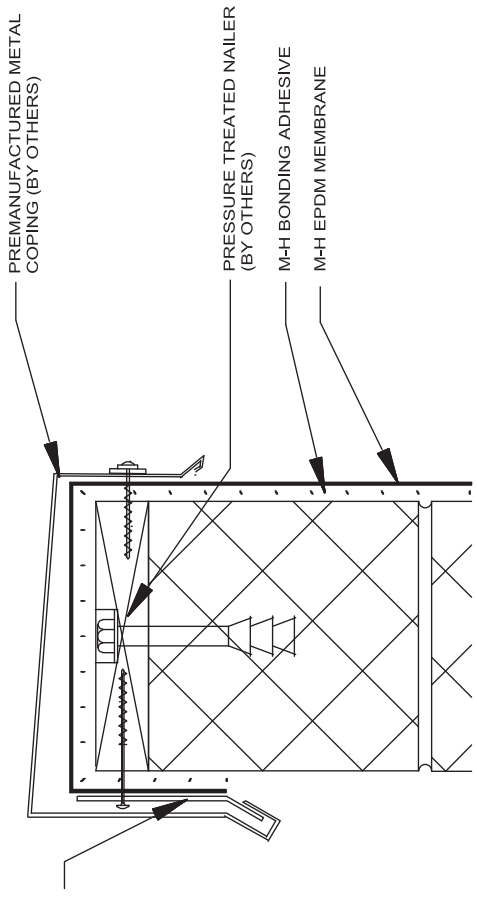
NOTE: THE DIAMETER OF BACKER ROD MUST BE LARGER THAN REGLET OPENING.



**MULE-HIDE
PRODUCTS CO., INC.
04/01/2004**

VERTICAL TERMINATION
REGLET
SYSTEMS:
ALL

DETAIL NO.:
MHE-171



**MULE-HIDE
PRODUCTS CO., INC.
04/01/2004**

VERTICAL TERMINATION
METAL COPING
SYSTEMS:
ALL

DETAIL NO.:
MHE-172



NOTE: 1. MEMBRANE MUST BE FASTENED UNDER COUNTERFLASHING, DO NOT FASTEN THROUGH COUNTERFLASHING.
2. ATTACHMENT OF COUNTERFLASHING AS DETERMINED BY SPECIFIER.

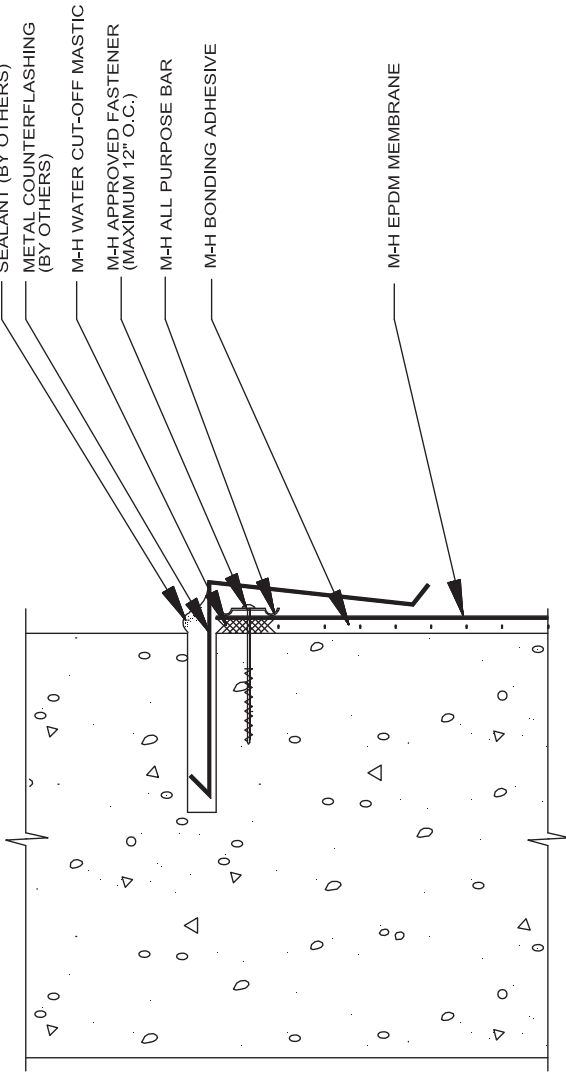
**MULE-HIDE
PRODUCTS CO., INC.
04/01/2004**

**VERTICAL TERMINATION
COUNTERFLASHING**

**SYSTEMS:
ALL**

**DETAIL NO.:
MHE-173**

NOTE: ATTACHMENT OF COUNTERFLASHING AS DETERMINED BY SPECIFIER.

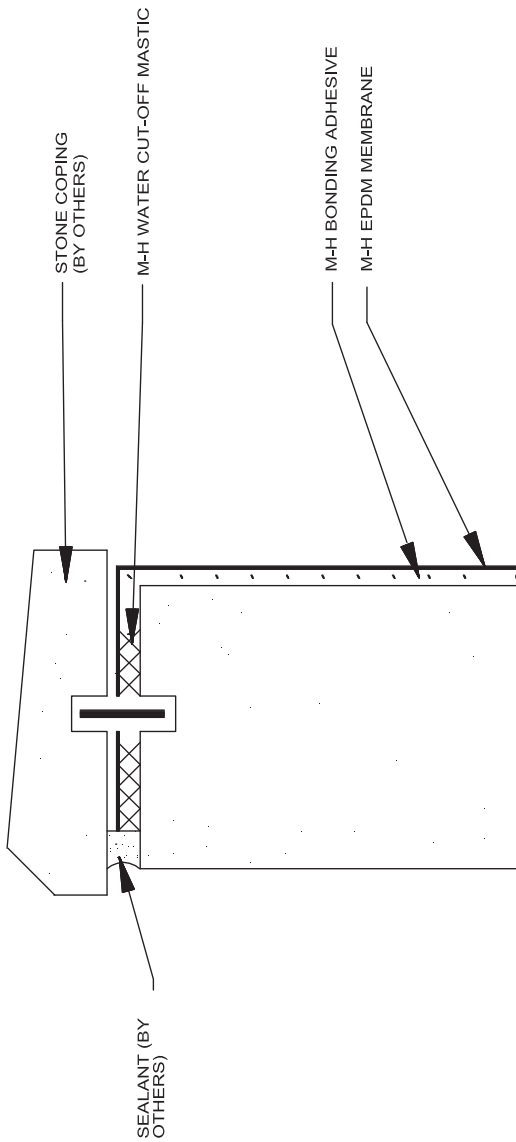


**MULE-HIDE
PRODUCTS CO., INC.
04/01/2004**

VERTICAL TERMINATION
COUNTERFLASHING W/
A-P BAR
SYSTEMS:
ALL

DETAIL NO.:

MHE-174

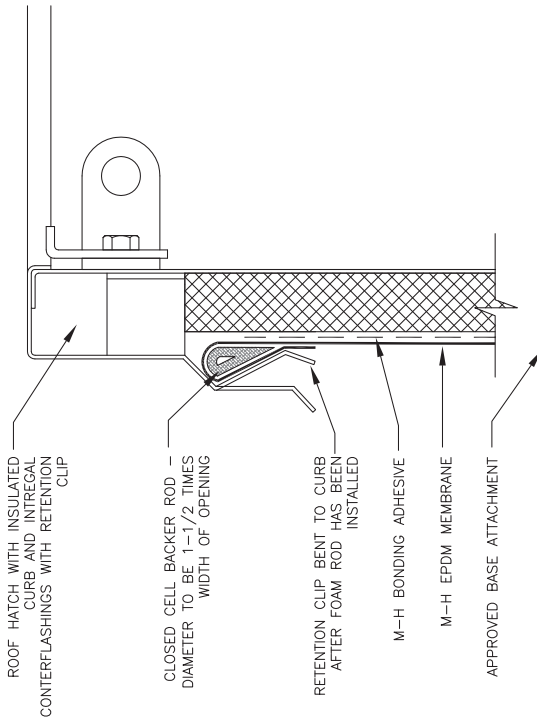


**MULE-HIDE
PRODUCTS CO., INC.
04/01/2004**

VERTICAL TERMINATION
STONE COPING

SYSTEMS:
ALL

DETAIL NO.:
MHE-175



VERTICAL TERMINATION AT ROOF HATCH WITH FOAM ROD SYSTEMS:

ALL EPDM SYSTEMS

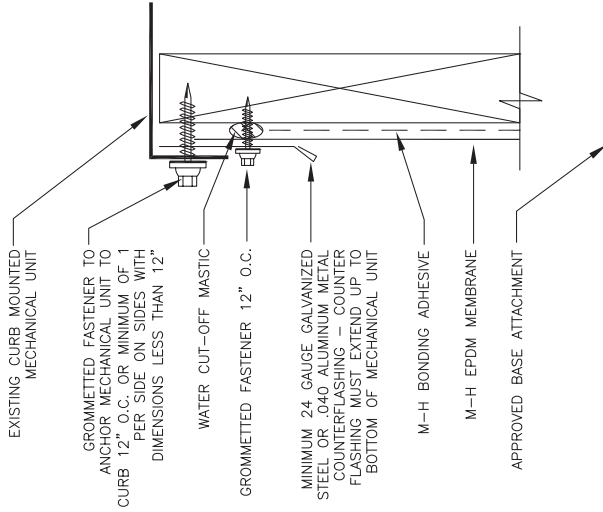
DETAIL NO.:

MHE-JUN-176

REVISION DATE: 06/2014

MULE-HIDE PRODUCTS CO., INC.

®



COUNTERFLASHING AT MECHANICAL CURB

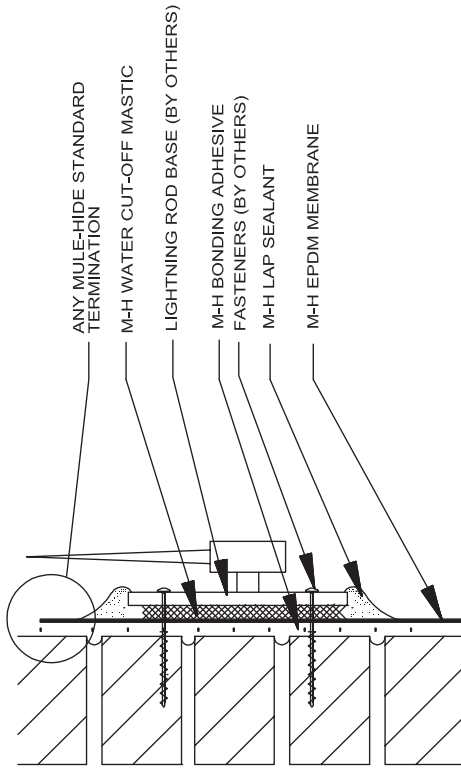
SYSTEMS:
ALL EPDM SYSTEMS

DETAIL NO.:

MHE-JUN-177

REVISION DATE: 06/2014

**MULE-HIDE
PRODUCTS CO., INC.**

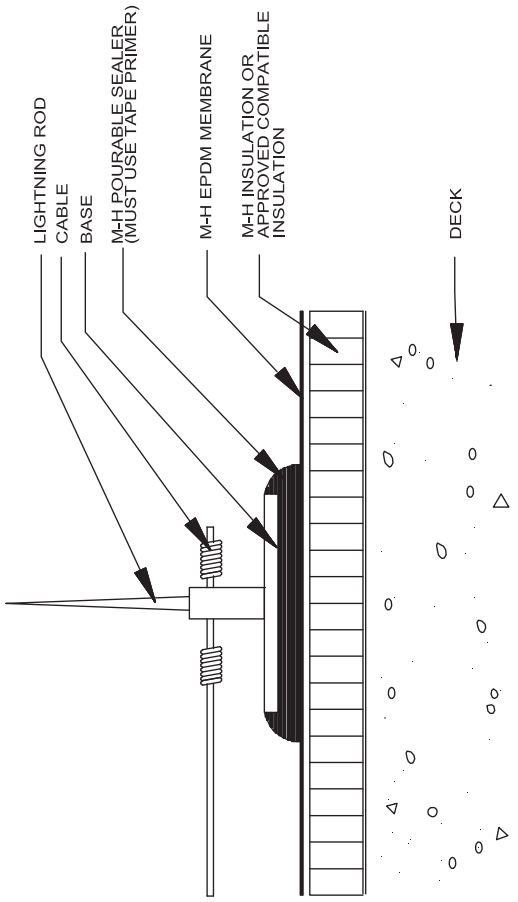


MULE-HIDE
PRODUCTS CO., INC.
04/01/2004

LIGHTNING ROD
 VERTICAL ATTACHMENT

SYSTEMS:
 ALL

DETAIL NO.:
MHE-180

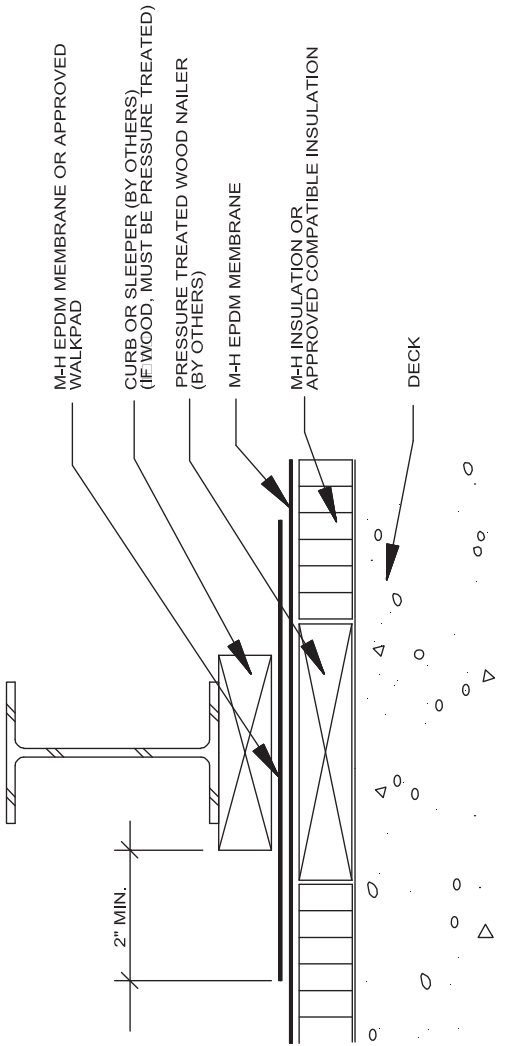


DETAIL NO.:
MHE-181

LIGHTNING ROD
HORIZONTAL ATTACHMENT

SYSTEMS:
ALL

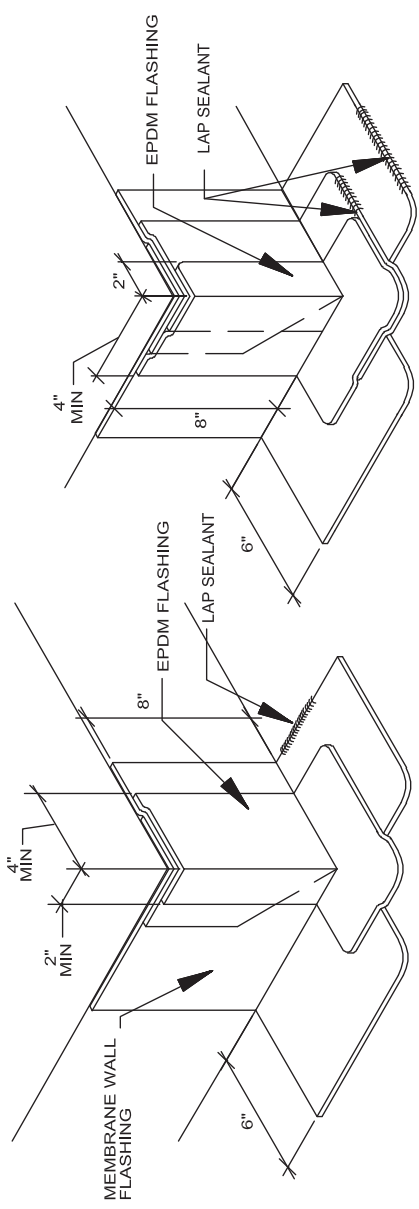
**MULE-HIDE
PRODUCTS CO., INC.
04/01/2004**



**MULE-HIDE
PRODUCTS CO., INC.
04/01/2004**

SLEEPER
SYSTEMS:
ALL

DETAIL NO.:
MHE-182



STEP NO. 1

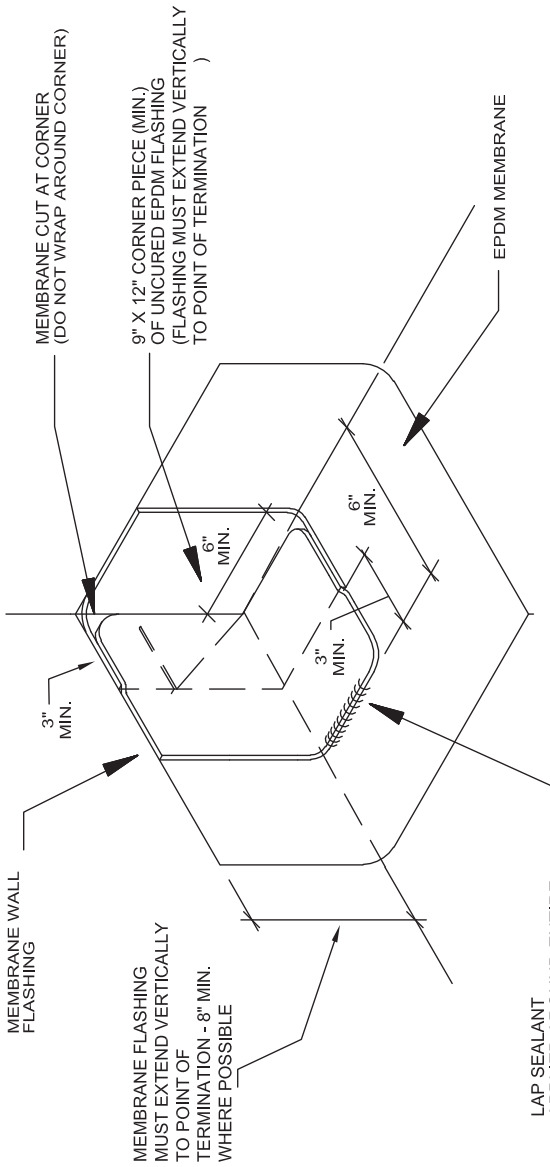
STEP NO. 2

NOTE: WHEN USING UNCURED EPDM FLASHING, SPLICE ADHESIVE AND SEAM CLEANER ARE REQUIRED. WHEN USING FLASHING TAPE, TAPE PRIMER IS REQUIRED TO PREP ALL SURFACES TO WHICH THE FLASHING TAPE WILL BE APPLIED.

**MULE-HIDE
PRODUCTS CO., INC.
04/01/2004**

EPDM
OUTSIDE CORNER
SYSTEMS:
ALL

DETAIL NO.:
MHE-183



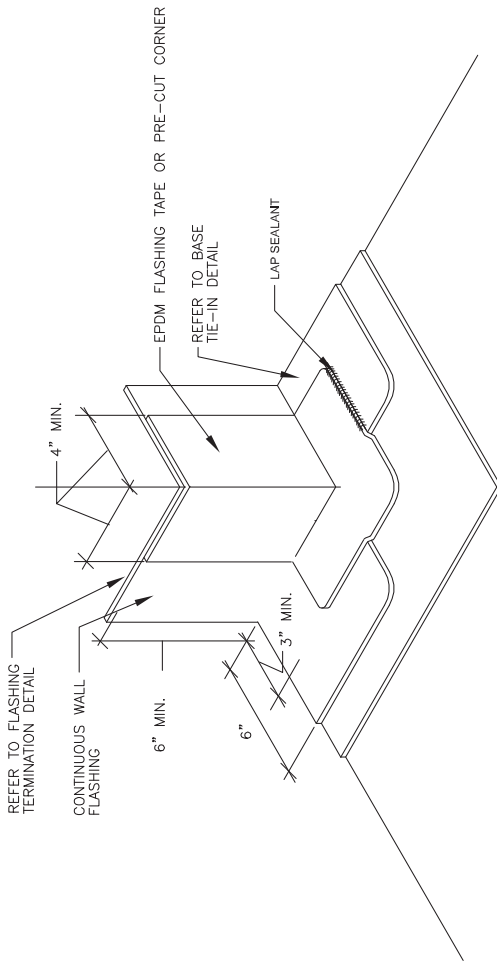
LAP SEALANT APPLIED AROUND ENTIRE PERIMETER OF FLASHING

NOTE: WHEN USING UNCURED EPDM FLASHING, SPLICE ADHESIVE AND SEAM CLEANER ARE REQUIRED. WHEN USING FLASHING TAPE, TAPE PRIMER IS REQUIRED TO PREP ALL SURFACES TO WHICH THE FLASHING TAPE WILL BE APPLIED. SPLICE ADHESIVE IS REQUIRED TO ADHERE THE "PIG EAR".

MULE-HIDE PRODUCTS CO., INC.
04/01/2004

2 PIECE INSIDE CORNER EPDM WALL FLASHING
 SYSTEMS: ALL

DETAIL NO.:
MHE-184



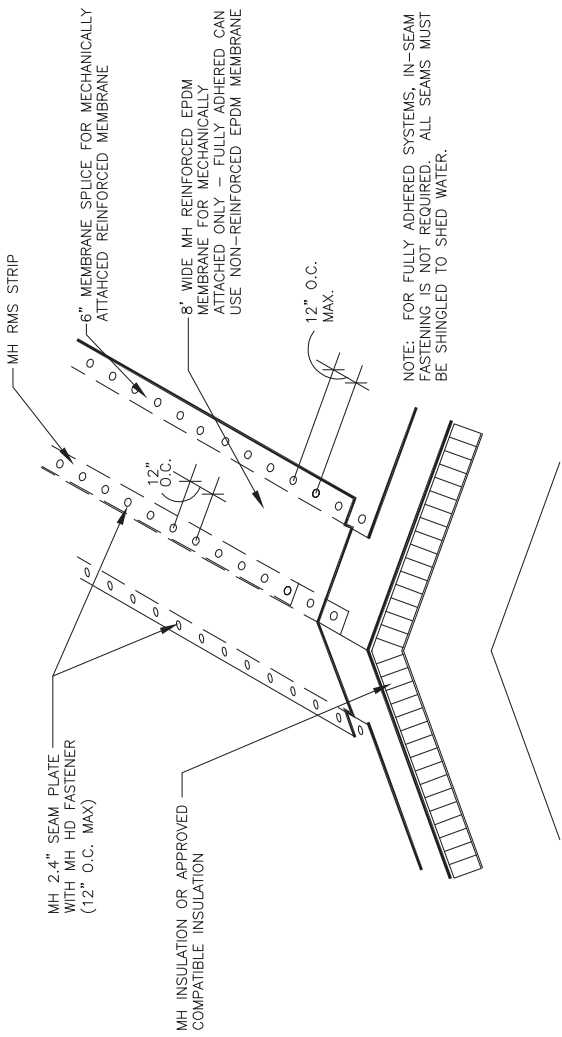
WHEN USING FLASHING TAPES, TAPE PRIMER MUST BE USED

**MULE-HIDE
PRODUCTS CO., INC.**
2010

**EPDM OUTSIDE CORNER
ONE PIECE WRAP
SYSTEMS:**

ALL

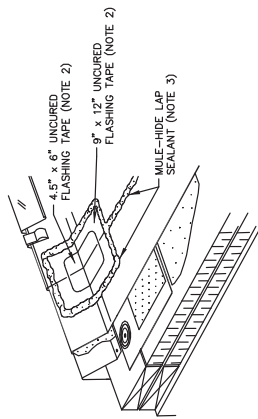
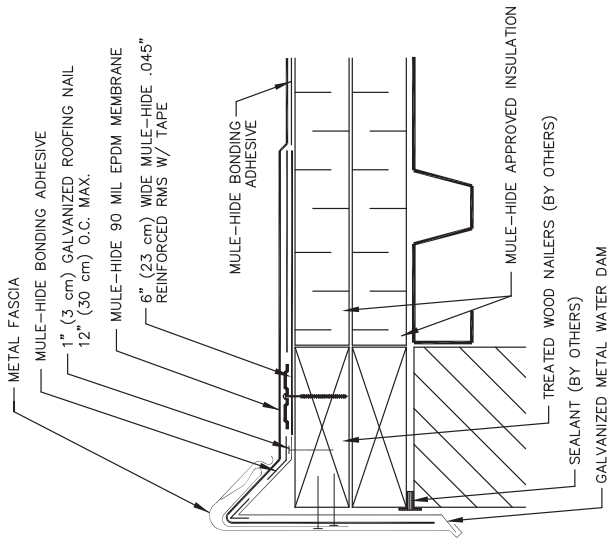
DETAIL NO.:
MHE-186



NOTE: 6" WIDE SEAM WHEN USING REINFORCED EPDM MEMBRANE, MAY BE COMPLETED WITH EITHER SPLICE ADHESIVE AND TAPE PRIMER OR 6" WIDE IN-SEAM TAPE AND TAPE PRIMER.

NOTE: FOR FULLY ADHERED SYSTEMS, IN-SEAM FASTENING IS NOT REQUIRED. ALL SEAMS MUST BE SHINGLED TO SHED WATER.

MULE-HIDE PRODUCTS CO., INC. 2010	RIDGE ATTACHMENT WITH RMS	DETAIL NO.: MHE-190
	SYSTEMS: MECHANICALLY ATTACHED AND FULLY ADHERED	



NOTES:

1. TREATED WOOD NAILER MUST EXTEND PAST TOTAL WIDTH OF GRAVEL STOP DECK FLANGE.
2. A 4.5" x 6" (12 x 15 cm) AND A 9" x 12" (23 x 30 cm) PIECE OF UNCURED FLASHING TAPE MUST BE CENTERED OVER FIELD SPUCE AT ANGLE CHANGE.
3. CAULK ALL EDGES WITH LAP SEALANT AS SHOWN ABOVE.
4. REFER TO METAL-ERA PERMA-TITE FASCIA SYSTEM 200 INSTALLATION INSTRUCTION MANUAL FOR STEP-BY-STEP INSTALLATION PROCEDURES.

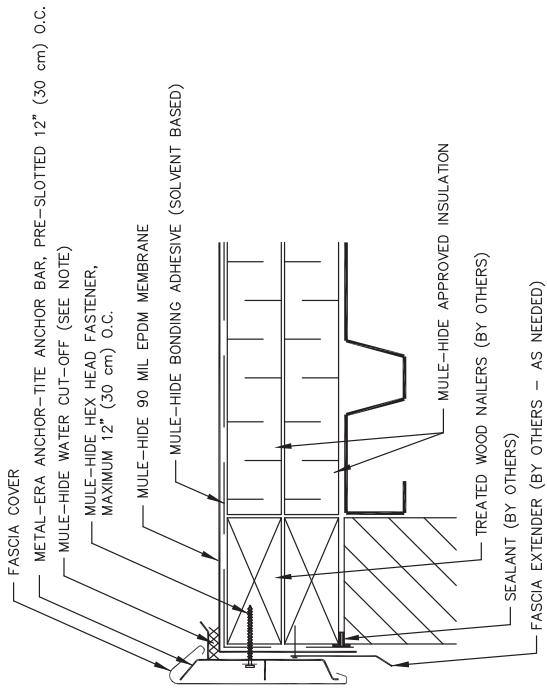
**MULE-HIDE
PRODUCTS CO., INC.
2005**

Metal-Era Perma-Tite Edge Detail

**SYSTEMS:
Fully Adhered 90mil System**

DETAIL NO.:

MHE-500



NOTE:
 APPLY AN ADDITIONAL BEAD OF WATER CUT-OFF ALONG THE EDGE OF THE MEMBRANE SPLICE THAT IS PERPENDICULAR TO THE ANCHOR BAR.

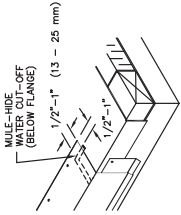
DETAIL NO.:
MHE-501

Metal-Era Anchor-Tite Edge Detail
 SYSTEMS:
 Fully Adhered 90mil System

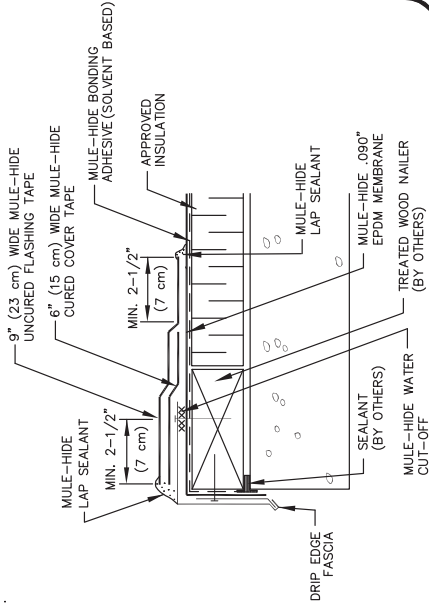
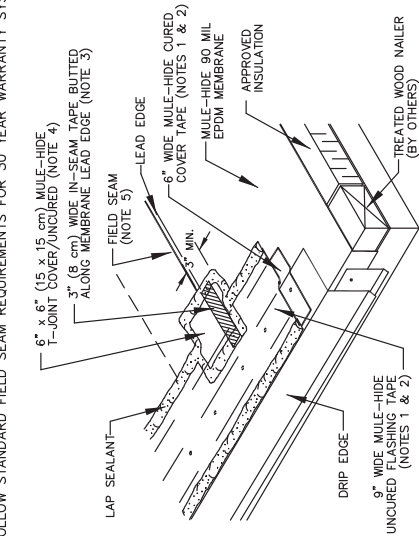
MULE-HIDE
PRODUCTS CO., INC.
2005

NOTES:

1. DECK FLANGE MUST BE TOTALLY COVERED BY MULE-HIDE CURED COVER TAPE (USE TAPE PRIMER) FLASHING WITH MINIMUM 2-1/2" (7 cm) COVERAGE PAST NAIL HEADS.
2. PRIOR TO INSTALLING MULE-HIDE TAPE (BOTH LAYERS), APPLY MULE-HIDE TAPE PRIMER AND ALLOW TO PROPERLY DRY.
3. INSTALL 3" x 6.5" (8 x 16 cm) IN-SEAM TAPE (IN CONJUNCTION WITH TAPE PRIMER) ALONG LEADING EDGE OF MEMBRANE SEAM OVERLAPPING SEAM TAPE.
4. INSTALL 6" (15 cm) WIDE MULE-HIDE UNCURED FLASHING TAPE (IN CONJUNCTION WITH TAPE PRIMER) AT FIELD SEAM INTERSECTIONS AND SEAL WITH LAP SEALANT AS SHOWN.
5. FOLLOW STANDARD FIELD SEAM REQUIREMENTS FOR 30 YEAR WARRANTY SYSTEMS.



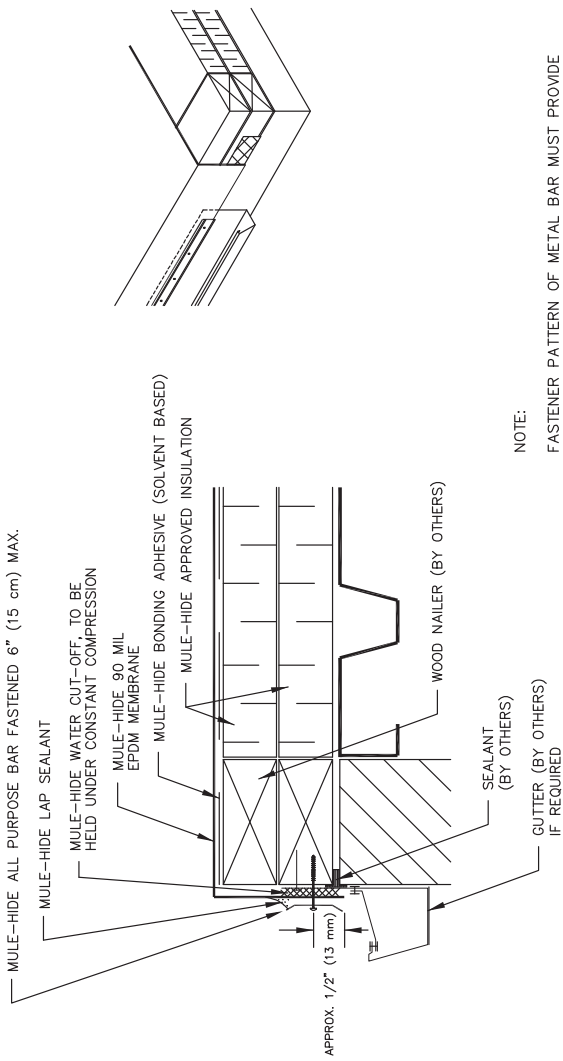
ALL REQUIREMENTS FOR 30 YEAR WARRANTY SYSTEM MUST BE FOLLOWED



MULE-HIDE PRODUCTS CO., INC.
2005

Drip Edge
SYSTEMS:
Fully Adhered 90mil System

DETAIL NO.:
MHE-502



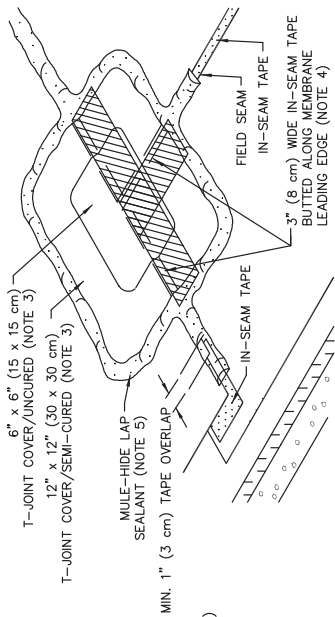
NOTE:
 FASTENER PATTERN OF METAL BAR MUST PROVIDE
 CONSTANT COMPRESSION ON WATER CUT-OFF.

DETAIL NO.:
MHE-503

All Purpose Bar Termination

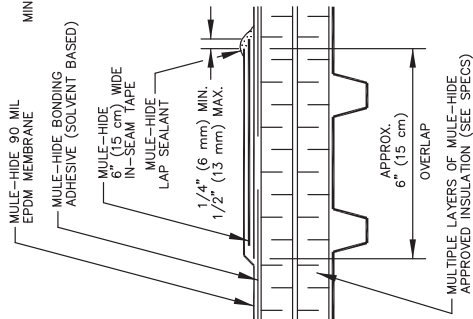
SYSTEMS:
 Fully Adhered 90mil System

MULE-HIDE
PRODUCTS CO., INC.
2005



NOTES:

1. PRIOR TO INSTALLATION OF IN-SEAM TAPE, APPLY TAPE PRIMER TO SEAM AREAS.
2. IN-SEAM TAPE IS TO BE OVERLAPPED A MINIMUM OF 1" (3 cm) AT THE ENDS OF EACH CUT PIECE.
3. AT FIELD SEAM INTERSECTIONS, APPLY A 6" x 6"(15 x 15 cm) T-JOINT COVER (UNCURED) FLASHING OVERLAD WITH A 12" x 12" (30 x 30 cm) T-JOINT COVER (SEMI-CURED) FLASHING.
4. INSTALL 3" (8 cm) WIDE IN-SEAM TAPE (IN CONJUNCTION WITH TAPE PRIMER) ALONG LEADING EDGE OF MEMBRANE SEAM OVERLAPPING EXPOSED IN-SEAM TAPE FROM THE SEAM.
5. CAULK ALL EDGES WITH LAP SEALANT AS SHOWN ABOVE.

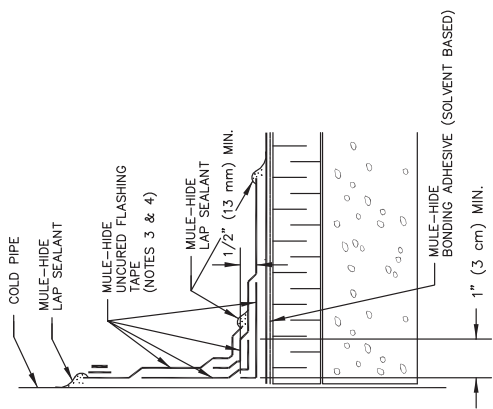
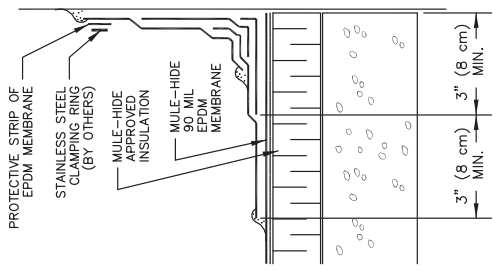


**MULE-HIDE
PRODUCTS CO., INC.
2005**

Membrane Splice With In-Seam Tape

**SYSTEMS:
Fully Adhered 90mil System**

**DETAIL NO.:
MHE-508**



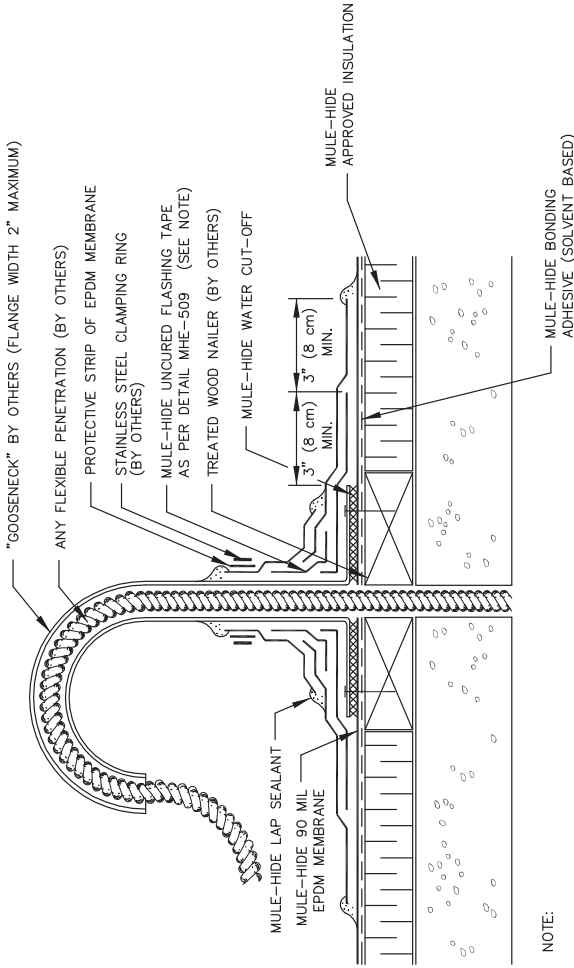
NOTES:

1. REMOVE ALL LEAD AND OTHER FLASHING BEFORE INSTALLING FIELD-FABRICATED PIPE FLASHING.
2. MEMBRANE SECUREMENT REQUIRED AROUND ALL PIPES GREATER THAN 18 INCHES (50 cm) IN DIAMETER.
3. UNCURED FLASHING TAPE WRAPPED AROUND THE PIPE SHALL HAVE 3" (8 cm) MINIMUM SEAM.
4. USE 9 INCH WIDE UNCURED FLASHING TAPE CUT IN HALF TO FORM THE FIRST WRAP AROUND PIPE. THE SECOND WRAP SHALL BE FORMED USING A FULL WIDTH OF 9 INCH WIDE UNCURED FLASHING TAPE.

**MULE-HIDE
PRODUCTS CO., INC.
2005**

Field Fabricated Pipe Seal
SYSTEMS:
Fully Adhered 90mil System

DETAIL NO.:
MHE-509



NOTE:

USE 9 INCH WIDE UNCURED FLASHING TAPE CUT IN HALF TO FORM THE FIRST WRAP AROUND THE PIPE. THE SECOND WRAP SHALL BE FORMED USING A FULL WIDTH OF 9 INCH WIDE UNCURED FLASHING TAPE.

**MULE-HIDE
PRODUCTS CO., INC.
2005**

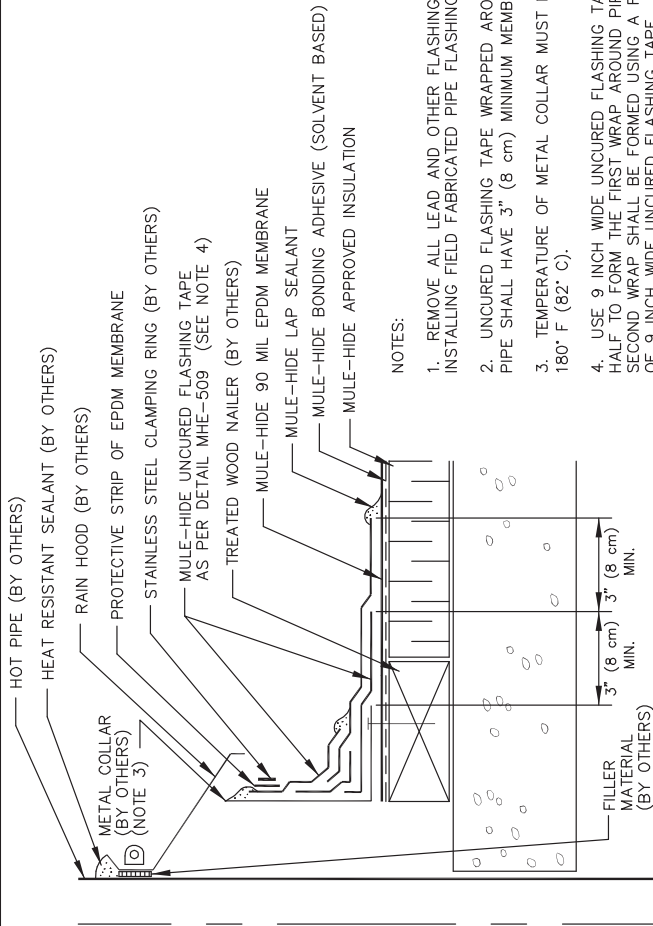
Flexible Penetration

SYSTEMS:

Fully Adhered 90mil System

DETAIL NO.:

MHE-510



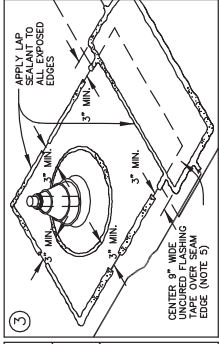
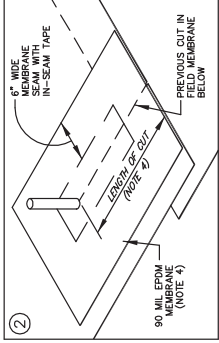
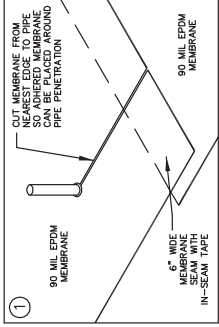
NOTES:

1. REMOVE ALL LEAD AND OTHER FLASHING BEFORE INSTALLING FIELD FABRICATED PIPE FLASHING.
2. UNCURED FLASHING TAPE WRAPPED AROUND THE PIPE SHALL HAVE 3" (8 cm) MINIMUM MEMBRANE SEAM.
3. TEMPERATURE OF METAL COLLAR MUST NOT EXCEED 180° F (82° C).
4. USE 9 INCH WIDE UNCURED FLASHING TAPE CUT IN HALF TO FORM THE FIRST WRAP AROUND PIPE. THE SECOND WRAP SHALL BE FORMED USING A FULL WIDTH OF 9 INCH WIDE UNCURED FLASHING TAPE.

**MULE-HIDE
PRODUCTS CO., INC.
2005**

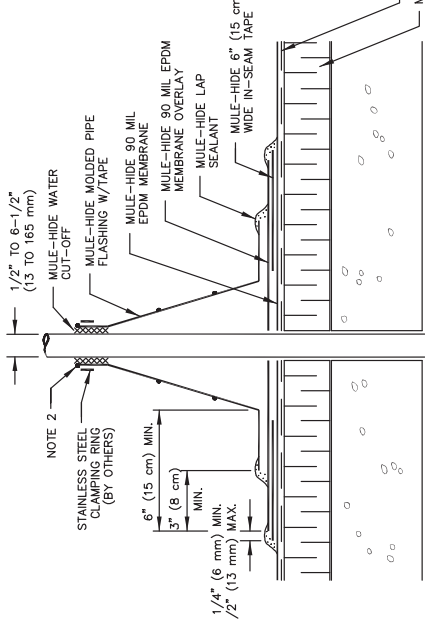
Field Fabricated Hot Stack
SYSTEMS:
Fully Adhered 90mil System

DETAIL NO.:
MHE-511



NOTES:

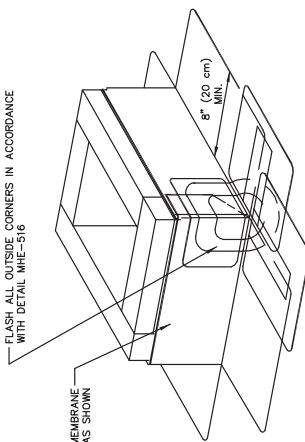
1. REMOVE ALL LEAD AND OTHER FLASHING.
2. PIPE FLASHING MUST HAVE INTACT RIB AT TOP EDGE, REGARDLESS OF PIPE DIAMETER.
3. DECK FLANGES OF THE MOLDED PIPE FLASHING SHALL NOT BE OVERLAPPED, CUT OR APPLIED OVER ANY ANGLE CHANGE.
4. 90 MIL MEMBRANE OVERLAY AT CUT IN FIELD MEMBRANE MUST EXTEND 3 INCHES BEYOND MOLDED PIPE FLASHING FLANGE ON 3 SIDES. *Also* EXTEND THE LENGTH OF THE CUT IN THE FIELD MEMBRANE AS SHOWN ABOVE.
5. CENTER 9\"/>



MULE-HIDE PRODUCTS CO., INC.
2005

Mule-Hide Molded Pipe Flashing
with Tape
SYSTEMS:
Fully Adhered 90mil System

DETAIL NO.:
MHE-512

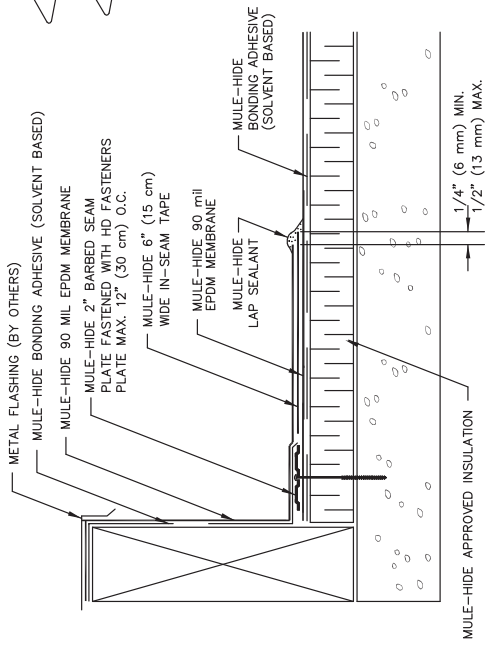


LAP SEALANT IS REQUIRED ON ALL EXPOSED FLASHING EDGES

NOTES:

1. IF VERTICAL SEAM IS NOT LOCATED AT CORNER, A 4.5" x 6" (12 x 15 cm) AND A 3/4" x 1/2" (23 x 30 cm) PIECE OF UNINCURED FLASHING TAPE MUST BE CENTERED OVER FIELD SPLICE AT ANGLE CHANGE.
2. FASTENING PLATES MAY BE INSTALLED VERTICALLY.
3. APPLY TAPE PRIMER PRIOR TO INSTALLING IN-SEAM TAPE.

CONTINUOUS 90 MIL EPDM MEMBRANE USED TO FLASH ENTIRE CURB AS SHOWN



MULE-HIDE APPROVED INSULATION

1/4" (6 mm) MIN.
1/2" (13 mm) MAX.

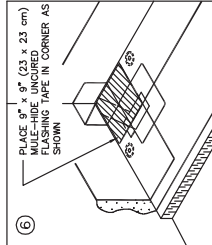
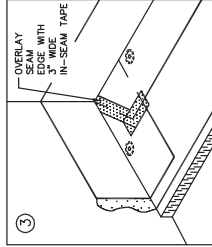
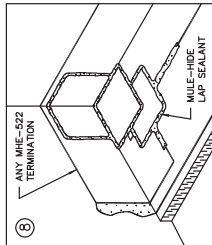
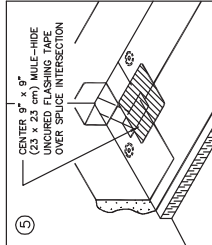
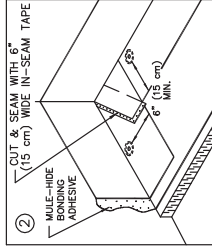
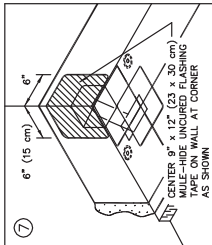
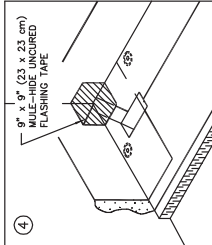
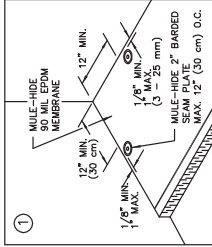
**MULE-HIDE
PRODUCTS CO., INC.
2005**

Curb Flashing

SYSTEMS:
Fully Adhered 90mil System

DETAIL NO.:

MHE-513

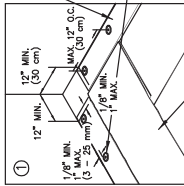


- NOTES:
1. CAULK ALL EDGES WITH LAP SEALANT.
 2. TAPE PRIMER MUST BE USED IN CONJUNCTION WITH MULE-HIDE UNCURD FLASHING TAPE.

MULE-HIDE
PRODUCTS CO., INC.
2005

Inside Corner With
 Separate EPDM Wall Flashing
 SYSTEMS:
 Fully Adhered 90mil System

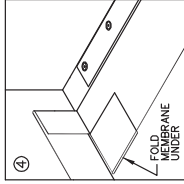
DETAIL NO.:
MHE-514



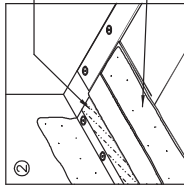
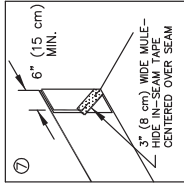
6" (23 cm) WIDE MULE-HIDE .045" RMS W/TAPE

MULE-HIDE 2" BARBED SEAM PLATE AND HD FASTENER MAX. 12" (30 cm) O.C.

MULE-HIDE 90 MIL EPDM MEMBRANE

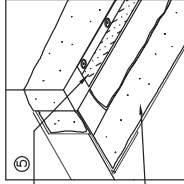


COMPLETE VERTICAL SEAM AND APPLY 3" (8 cm) WIDE MULE-HIDE IN-SEAM TAPE TO THE SEAM EDGE AS SHOWN



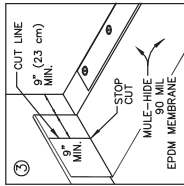
6" (15 cm) WIDE IN-SEAM TAPE

MULE-HIDE BONDING ADHESIVE

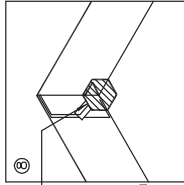
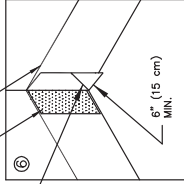


MULE-HIDE 6" (15 cm) WIDE IN-SEAM TAPE

MULE-HIDE 90 MIL EPDM MEMBRANE

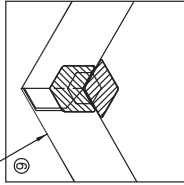


NOTES:
1. FOR RMS SECUREMENT, REFER TO DETAIL MHE-521



APPROX. 8" X 9" (23 X 23 cm) MULE-HIDE UNCOURED FLASHING TAPE (SIMILAR TO DETAIL MHE-514)

MULE-HIDE UNCOURED FLASHING TAPE MUST BE USED IN CONJUNCTION WITH TAPE PRIMER



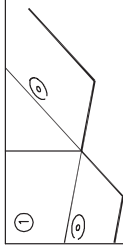
APPLY 9" X 9" (23 X 23 cm) MULE-HIDE UNCOURED FLASHING TAPE ON DECK MEMBRANE AND 9" X 12" (23 X 30 cm) UNCOURED FLASHING TAPE ON WALLS AT CORNER AS SHOWN (SIMILAR TO DETAIL MHE-514)

CAULK ALL EDGES WITH LAP SEALANT (SIMILAR TO DETAIL MHE-514)

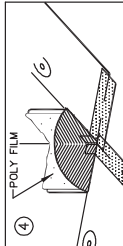
MULE-HIDE PRODUCTS CO., INC. 2005

Inside Corner With Continuous EPDM Wall Flashing SYSTEMS: Fully Adhered 90mil System

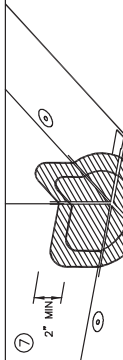
DETAIL NO.: MHE-515



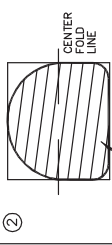
FASTEN MEMBRANE AND FLASH CURB OR WALL WITH CURED EPDM MEMBRANE USING BONDING ADHESIVE VERTICALLY AND IN-SEAM TAPE AT MEMBRANE SEAM.



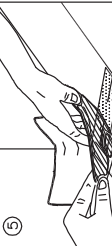
AFTER APPLYING IN-SEAM TAPE, REMOVE AND REPLACE POLY BACKING ON FLASHING. FOLD 4.5" x 6" FLASHING IN HALF WITH ROUNDED CORNER AND PRESS AGAINST VERTICAL SURFACE.



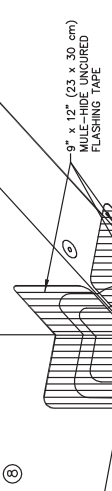
CLEAN THE SEAM AREA WITH MULE-HIDE TAPE PRIMER. INSTALL THE 9" x 12" UNCURED FLASHING TAPE TO EXTEND A MINIMUM 2" BEYOND THE PREVIOUSLY APPLIED 4.5" x 6" FLASHING (STEPS 4-6).



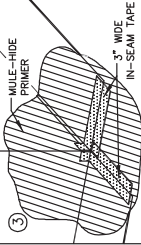
CUT A 4.5" x 6" AND 9" x 12" SECTION INTO ANGLE CHANGE FLASHING FOR ROUND CORNERS AS SHOWN.



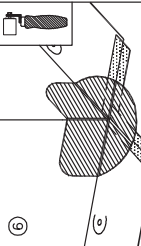
ROLL AND CREASE FLASHING TIGHTLY INTO ANGLE CHANGE FLASHING. ROLL FLASHING ONTO THE DECK MEMBRANE.



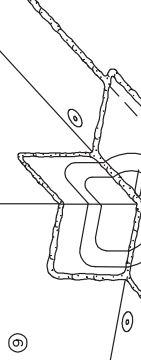
OVERLAY THE CORNER WITH 3 PIECES OF 9" x 12" UNCURED FLASHING TAPE AS SHOWN.



CLEAN THE DRY SPICE AREA OF THE EPDM WITH MULE-HIDE TAPE PRIMER. APPLY 3" WIDE IN-SEAM TAPE ALONG MEMBRANE SEAM EDGES AS SHOWN.



AFTER ADHERING, ROLL WITH A TWO INCH WIDE STEEL HAND ROLLER. PAY PARTICULAR ATTENTION TO THE CORNERS AND ANGLE CHANGE.

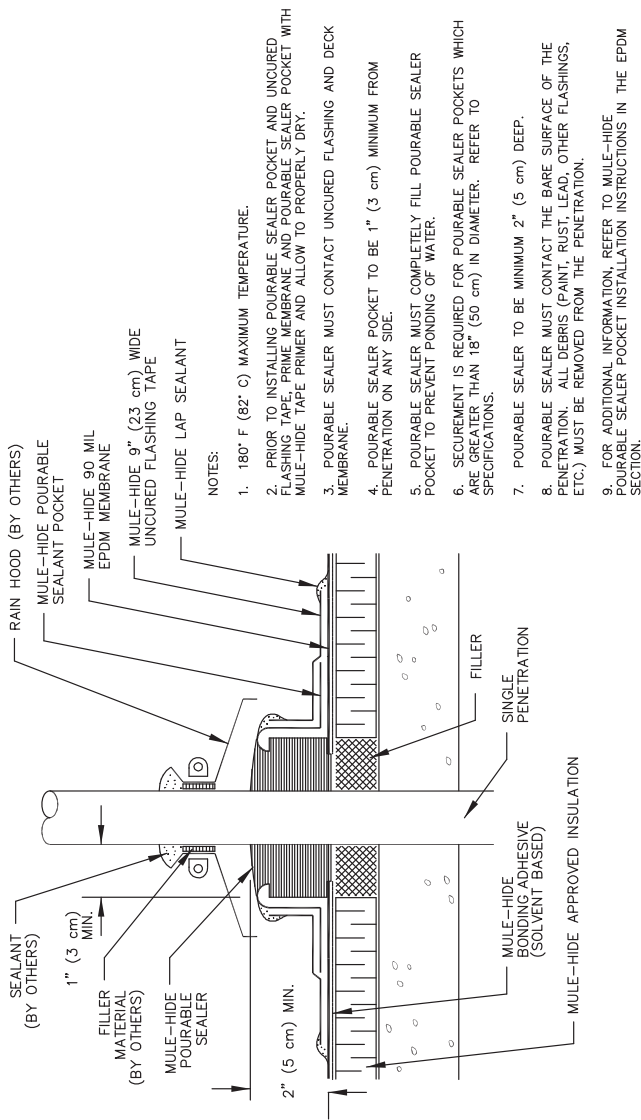


CAULK ALL EDGES WITH LAP SEALANT AS SHOWN.

MULE-HIDE PRODUCTS CO., INC. 2005

Outside Corner With Uncured
Flashing Tape
SYSTEMS:
Fully Adhered 90mil System

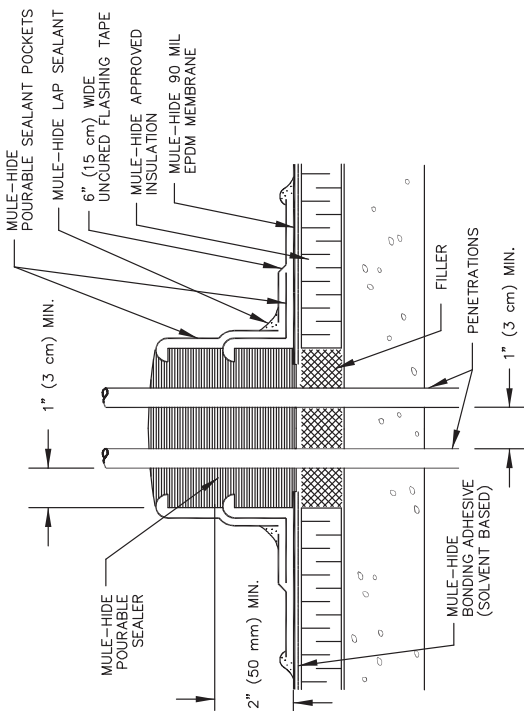
DETAIL NO.:
MHE-516



**MULE-HIDE
PRODUCTS CO., INC.
2005**

Pourable Sealer Pocket With Rain Hood
SYSTEMS:
Fully Adhered 90mil System

DETAIL NO.:
MHE-517



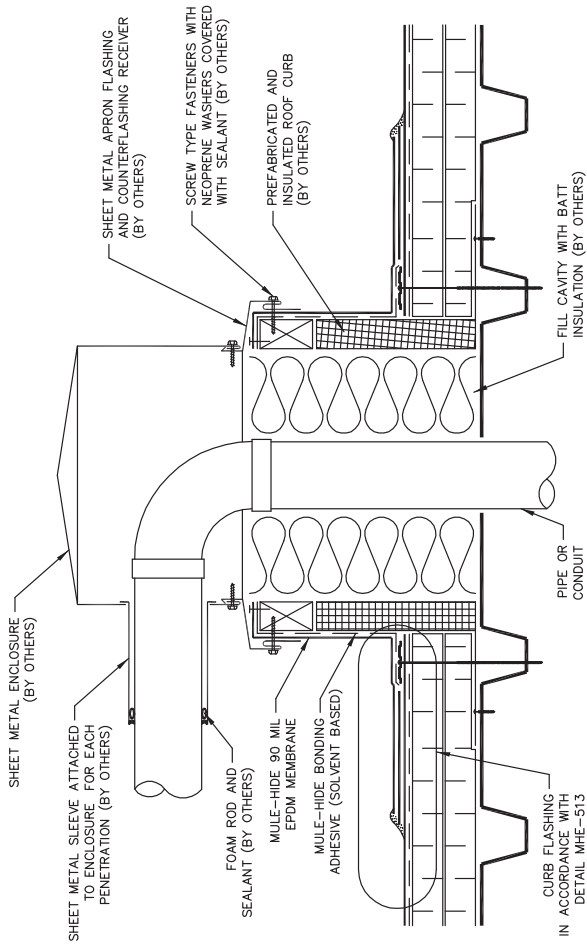
NOTES:

1. 180° F (82° C) MAXIMUM TEMPERATURE.
2. PRIOR TO INSTALLING POURABLE SEALER POCKET AND UNCURED FLASHING TAPE, PRIME MEMBRANE AND POURABLE SEALER POCKET WITH MULE-HIDE TAPE PRIMER AND ALLOW TO PROPERLY DRY.
3. POURABLE SEALER MUST CONTACT UNCURED FLASHING AND DECK MEMBRANE.
4. POURABLE SEALER POCKET TO BE 1" (3 cm) MINIMUM FROM PENETRATION ON ANY SIDE.
5. POURABLE SEALER MUST COMPLETELY FILL POURABLE SEALER POCKET TO PREVENT PONDING OF WATER.
6. SECUREMENT IS REQUIRED FOR POURABLE SEALER POCKETS WHICH ARE GREATER THAN 18" (50 cm) IN DIAMETER. REFER TO SPECIFICATIONS.
7. POURABLE SEALER TO BE MINIMUM 2" (5 cm) DEEP.
8. POURABLE SEALER MUST CONTACT THE BARE SURFACE OF THE PENETRATION. ALL DEBRIS (PAINT, RUST, LEAD, OTHER FLASHINGS, ETC.) MUST BE REMOVED FROM THE PENETRATION.
9. FOR ADDITIONAL INFORMATION, REFER TO MULE-HIDE POURABLE SEALER POCKET INSTALLATION INSTRUCTIONS IN THE EPDM SECTION.

**MULE-HIDE
PRODUCTS CO., INC.
2005**

Pourable Sealer Pocket
Double Application
SYSTEMS:
Fully Adhered 90mil System

DETAIL NO.:
MHE-518



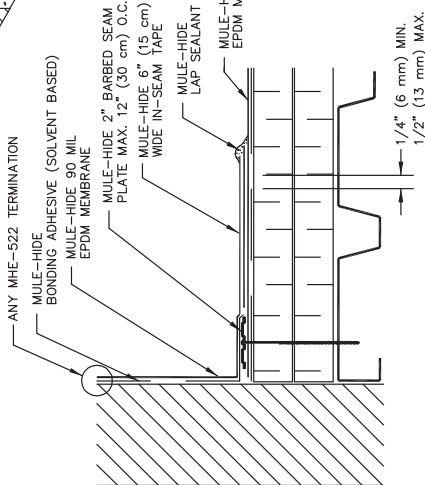
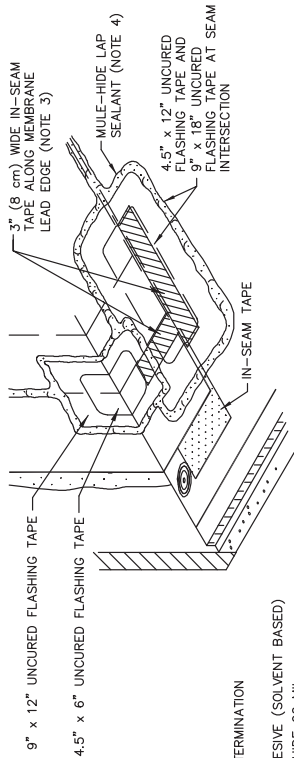
DETAIL NO.:

MHE-519

Multiple Penetrations Curb Detail

SYSTEMS:
Fully Adhered 90mil System

**MULE-HIDE
PRODUCTS CO., INC.
2005**



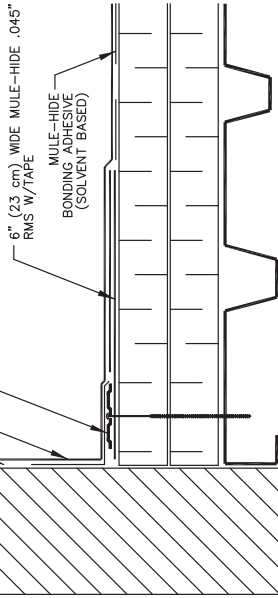
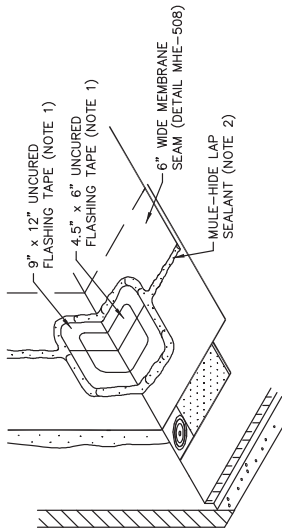
NOTES:

1. PRIOR TO INSTALLATION OF IN-SEAM TAPE, APPLY MULE-HIDE TAPE PRIMER TO SEAM AREAS.
2. IN-SEAM TAPE IS TO OVERLAP A MINIMUM OF 1" (3 cm) AT THE ENDS OF EACH CUT PIECE.
3. INSTALL 3" (8 cm) WIDE IN-SEAM TAPE (IN CONJUNCTION WITH TAPE PRIMER) ALONG THE LEADING EDGE OF THE MEMBRANE SEAM OVERLAPPING EXPOSED SEAM TAPE FROM THE SEAM.
4. CAULK ALL EDGES WITH LAP SEALANT AS SHOWN ABOVE.
5. LOCATE MHE-522 TERMINATION ABOVE ANTICIPATED WATER LEVEL.
6. FOR CORNER APPLICATIONS, SEE DETAILS MHE-514, MHE-515, AND MHE-516.
7. IF A CONTINUATION OF THE DECK MEMBRANE IS TO BE USED AS WALL FLASHING, REFER TO DETAIL MHE-521.

**MULE-HIDE
PRODUCTS CO., INC.
2005**

Parapet/Curb With
Separate EPDM Membrane
SYSTEMS:
Fully Adhered 90mil System

DETAIL NO.:
MHE-520



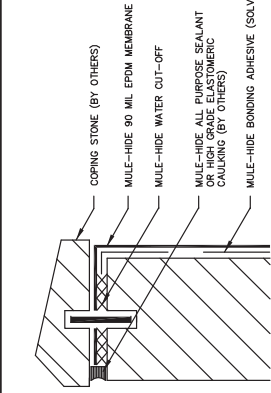
NOTES:

1. A 4.5" x 6" (12 x 15 cm) AND A 9" x 12" (23 x 30 cm) PIECE OF UNCURED FLASHING TAPE MUST BE CENTERED OVER THE FIELD SPLICE AT ANGLE CHANGE.
2. CAULK ALL EDGES WITH LAP SEALANT AS SHOWN ABOVE.
3. LOCATE MHE-522 TERMINATION ABOVE ANTICIPATED WATER LEVEL.
4. FOR CORNER APPLICATIONS, SEE DETAILS MHE-514, MHE-515, AND MHE-516.

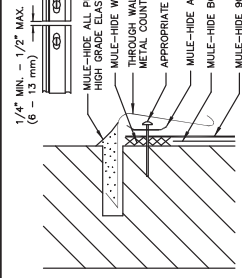
**MULE-HIDE
PRODUCTS CO., INC.**
2005

Wall Flashing With
Continuous EPDM Membrane
SYSTEMS:
Fully Adhered 90mil System

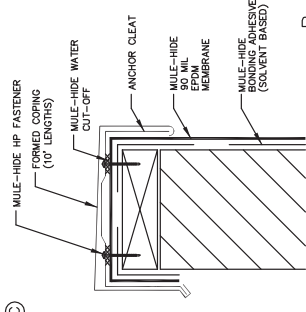
DETAIL NO.:
MHE-521



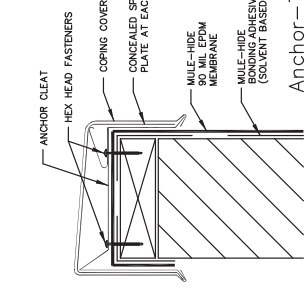
- NOTES:
1. WATER CUT-OFF SHALL BE APPLIED AROUND EACH SLOT AND FASTENER HOLE.
 2. REFER TO METAL-ERA PERMA-TITE COPING INSTALLATION STEP-BY-STEP INSTRUCTION PROCEDURES.



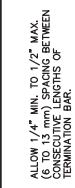
- NOTES:
1. APPLY ON HARD SMOOTH SURFACE ONLY; NOT FOR USE ON WOOD.
 2. WATER CUT-OFF MUST BE HELD UNDER CONSTANT COMPRESSION.
 3. DO NOT WRAP COMPRESSION TERMINATION AROUND CORNERS.



- NOTES:
1. WATER CUT-OFF SHALL BE APPLIED AROUND EACH SLOT AND FASTENER HOLE.
 2. REFER TO METAL-ERA PERMA-TITE COPING INSTALLATION STEP-BY-STEP INSTRUCTION PROCEDURES.



- NOTES:
1. REFER TO METAL-ERA ANCHOR-TITE INSTALLATION INSTRUCTION MANUAL FOR STEP-BY-STEP INSTRUCTION PROCEDURES.



- NOTES:
1. ALLOW 1/4\"/>

Perma-Tite COPING

Anchor-Tite COPING

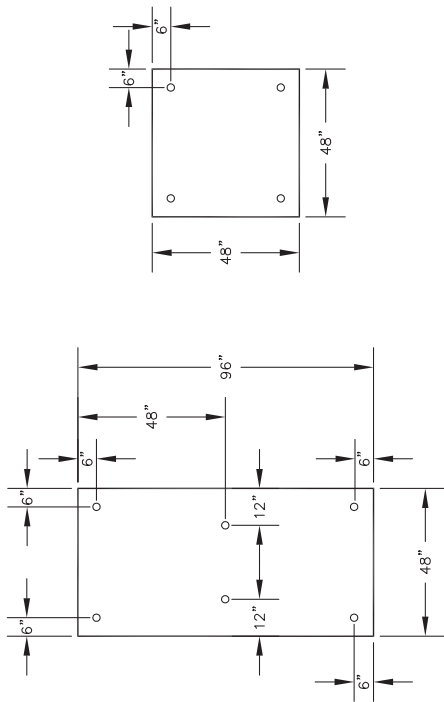
MULE-HIDE PRODUCTS CO., INC.
2005

Vertical Flashing Terminations

SYSTEMS:
Fully Adhered 90mil System

DETAIL NO.:
MHE-522

FASTENING PATTERNS FOR EXTRUDED POLYSTYRENE INSULATION FOR USE DIRECTLY UNDER MECHANICALLY ATTACHED WHITE TPO REINFORCED MEMBRANE ONLY

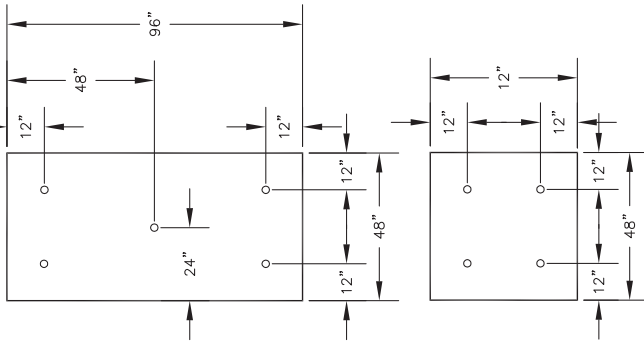


NOTES:

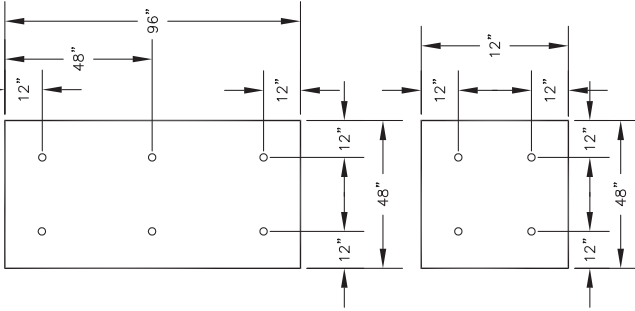
1. MULE-HIDE 3" METAL STRESS PLATES MUST BE USED WITH MULE-HIDE FASTENERS FOR INSULATION ATTACHMENT.
2. FASTENER TOLERANCE SHALL BE ±1 INCH.

MULE-HIDE PRODUCTS CO., INC.	EXTRUDED POLYSTYRENE INSULATION ATTACHMENT FASTENING PATTERNS SYSTEMS:	DETAIL NO.: MHT-MA-700
	MECHANICALLY ATTACHED	REVISION DATE: 10/2013

2" OR THICKER POLYISOCYANURATE INSULATION ONLY



ALL OTHER INSULATIONS



NOTES:

1. MULE-HIDE 3" METAL STRESS PLATES MUST BE USED WITH MULE-HIDE FASTENERS FOR INSULATION ATTACHMENT.
2. FASTENER TOLERANCE SHALL BE +1 INCH.

INSULATION ATTACHMENT PATTERNS

SYSTEMS:
MECHANICALLY ATTACHED

DETAIL NO.:

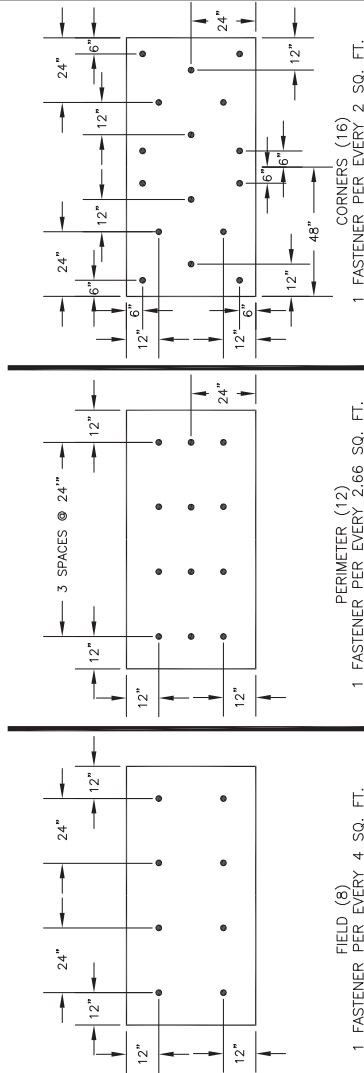
MHT-MA-701

REVISION DATE: 10/2013

**MULE-HIDE
PRODUCTS CO., INC.**

NOTES:

1. 8 FASTENERS PER 4' X 8' BOARDS (1 FASTENER EVERY 4 SQUARE FEET) IN THE FIELD IS APPROVED FOR INSULATIONS 2" OR MORE THICK WHEN USED AS THE TOP LAYER.
2. PERIMETER AND CORNER DIMENSIONS ARE TO BE A MINIMUM OF 8" WIDE UNLESS THE PROJECT REQUIRES FACTORY MUTUAL COMPLIANCE. CONTACT MULE-HIDE TECHNICAL DEPARTMENT FOR FACTORY MUTUAL REQUIREMENTS.
3. MULE-HIDE FASTENERS AND 3" STRESS PLATES MUST BE USED FOR INSULATION ATTACHMENT.
4. REFER TO MULE-HIDE WIND UPLIFT RATINGS FOR APPROPRIATE FASTENER DENSITY REQUIRED.
5. FASTENER DENSITY INCREASES BASED ON THE FOLLOWING:
 - 50% FOR PERIMETERS
 - 100% FOR CORNERS



**MULE-HIDE
PRODUCTS CO., INC.**

**2" OR THICKER INSULATION ATTACHMENT
8 FASTENERS PER 4' X 8' IN FIELD**

**SYSTEMS:
FULLY ADHERED**

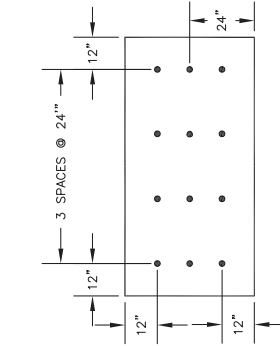
DETAIL NO.:

MHT-FA-720

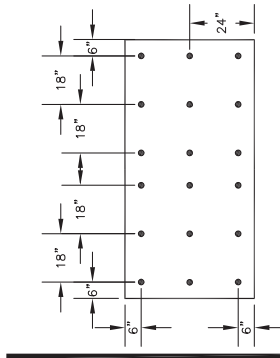
REVISION DATE: 10/2013

NOTES:

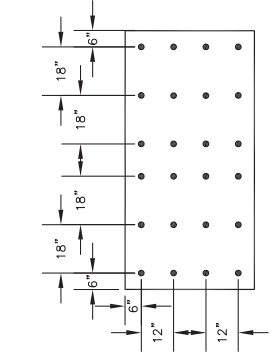
- 12 FASTENERS PER 4' X 8' BOARD IN THE FIELD IS APPROVED FOR 1-1/2" TO 2" THICK POLYISOCYANURATE INSULATIONS WHEN USED AS THE TOP LAYER OR 1/4" DENS DECK INSTALLED AS A COVER BOARD.
- PERIMETER AND CORNER DIMENSIONS ARE TO BE A MINIMUM OF 8" WIDE UNLESS THE PROJECT REQUIRES FACTORY MUTUAL COMPLIANCE. CONTACT MULE-HIDE TECHNICAL DEPARTMENT FOR FACTORY MUTUAL REQUIREMENTS.
- MULE-HIDE FASTENERS AND 3" STRESS PLATES MUST BE USED FOR INSULATION ATTACHMENT.
- REFER TO MULE-HIDE WIND UPLIFT RATINGS FOR APPROPRIATE FASTENER DENSITY REQUIRED.
- FASTENER DENSITY INCREASES BASED ON THE FOLLOWING:
 - 50% FOR PERIMETERS
 - 100% FOR CORNERS



FIELD (12)
1 FASTENER PER EVERY 2.66 SQ. FT.



PERIMETER (18)
1 FASTENER PER EVERY 1.77 SQ. FT.

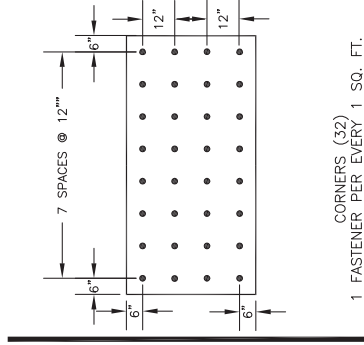
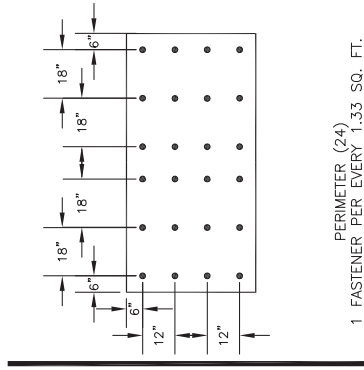
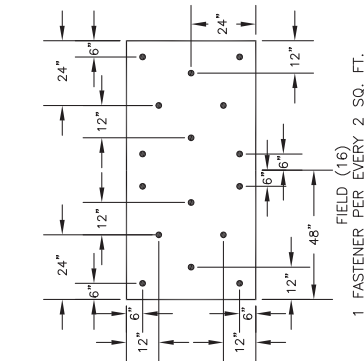


CORNERS (24)
1 FASTENER PER EVERY 1.33 SQ. FT.

MULE-HIDE PRODUCTS CO., INC.	INSULATION ATTACHMENT 12 FASTENERS PER 4' X 8' IN FIELD SYSTEMS: FULLY ADHERED	DETAIL NO.: MHT-FA-721 REVISION DATE: 10/2013

NOTES:

1. 16 FASTENERS PER 4' X 8' BOARD IN THE FIELD IS MULE-HIDE'S STANDARD FOR FULLY ADHERED TPO ROOFING SYSTEMS.
2. PERIMETER AND CORNER DIMENSIONS ARE TO BE A MINIMUM OF 8" WIDE UNLESS THE PROJECT REQUIRES FACTORY MUTUAL COMPLIANCE. CONTACT MULE-HIDE TECHNICAL DEPARTMENT FOR FACTORY MUTUAL REQUIREMENTS.
3. MULE-HIDE FASTENERS AND 3" STRESS PLATES MUST BE USED FOR INSULATION ATTACHMENT.
4. REFER TO MULE-HIDE WIND UPLIFT RATINGS FOR APPROPRIATE FASTENER DENSITY REQUIRED.
5. FASTENER DENSITY INCREASES BASED ON THE FOLLOWING:
 - 50% FOR PERIMETERS
 - 100% FOR CORNERS



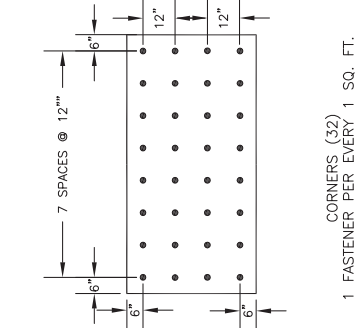
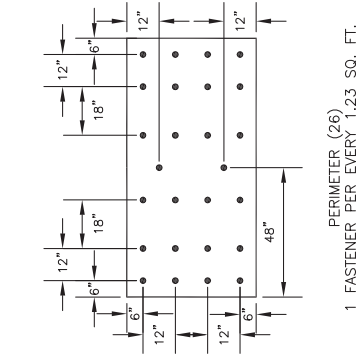
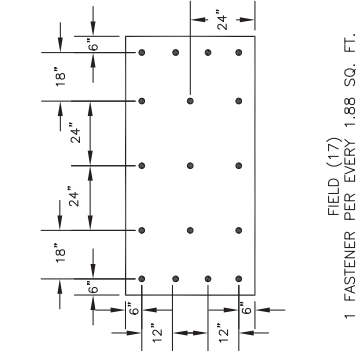
**MULE-HIDE
PRODUCTS CO., INC.**

**INSULATION ATTACHMENT
16 FASTENERS PER 4' X 8' IN FIELD
SYSTEMS:
FULLY ADHERED**

DETAIL NO.:
MHT-FA-722
REVISION DATE: 10/2013

NOTES:

1. 17 FASTENERS PER 4' X 8' BOARD IN THE FIELD IS APPROVED FOR OSB COVER BOARDS OR OSB/POLYISOCYANURATE COMPOSITE INSULATION.
2. PERIMETER AND CORNER DIMENSIONS ARE TO BE A MINIMUM OF 8' WIDE UNLESS THE PROJECT REQUIRES FACTORY MUTUAL COMPLIANCE. CONTACT MULE-HIDE TECHNICAL DEPARTMENT FOR FACTORY MUTUAL REQUIREMENTS.
3. MULE-HIDE FASTENERS AND 3" STRESS PLATES MUST BE USED FOR INSULATION ATTACHMENT.
4. REFER TO MULE-HIDE WIND UPLIFT RATINGS FOR APPROPRIATE FASTENER DENSITY REQUIRED.
5. FASTENER DENSITY INCREASES BASED ON THE FOLLOWING:
 - 50% FOR PERIMETERS
 - 100% FOR CORNERS



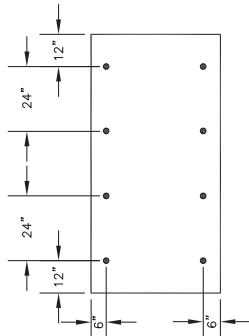
**MULE-HIDE
PRODUCTS CO., INC.**

**INSULATION ATTACHMENT
SYSTEMS:
FULLY ADHERED**

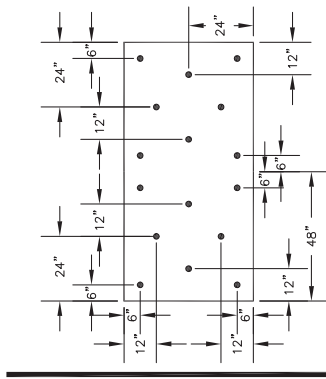
DETAIL NO.:
MHT-FA-723
REVISION DATE: 10/2013

NOTES:

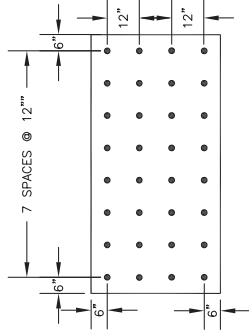
1. THESE FASTENING PATTERNS ARE TO BE USED WHEN THE PROJECT REQUIRES A FACTORY MUTUAL RATED SYSTEM. CONTACT MULE-HIDE TECHNICAL DEPARTMENT FOR APPROPRIATE USE OF THESE PATTERNS.
2. MULE-HIDE INSULATION FASTENERS AND 3" DIAMETER PLATES MUST BE USED FOR INSULATION ATTACHMENT.
3. REFER TO MULE-HIDE WIND UPLIFT RATINGS FOR APPROPRIATE FASTENER DENSITY REQUIRED.
4. FASTENER DENSITY INCREASES BASED ON THE FOLLOWING:
 - 50% FOR PERIMETERS WITH A MINIMUM OF 1 FASTENER EVERY 2 SQUARE FEET NOT TO EXCEED 1 FASTENER EVERY 1 SQUARE FOOT
 - CONSTANT DENSITY OF 1 FASTENER EVERY 1 SQUARE FOOT FOR CORNERS.



FIELD (8)
1 FASTENER PER EVERY 4 SQ. FT.



PERIMETER (16)
1 FASTENER PER EVERY 2 SQ. FT.



CORNERS (32)
1 FASTENER PER EVERY 1 SQ. FT.

**MULE-HIDE
PRODUCTS CO., INC.**

**FM - 8 FIELD FASTENERS
PER 4' X 8' BOARD PATTERN LAYOUT
SYSTEMS:**

FULLY ADHERED

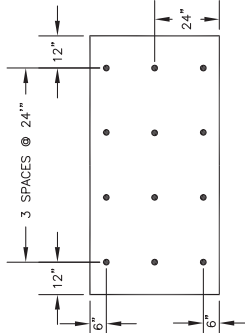
DETAIL NO.:

MHT-FM-724

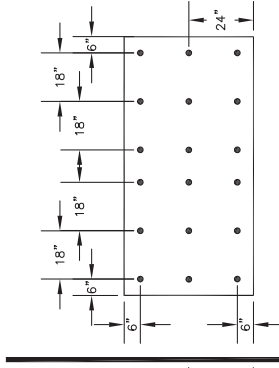
REVISION DATE: 06/2015

NOTES:

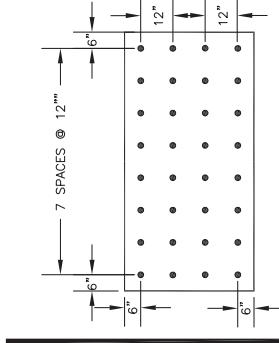
1. THESE FASTENING PATTERNS ARE TO BE USED WHEN THE PROJECT REQUIRES A FACTORY MUTUAL RATED SYSTEM. CONTACT MULE-HIDE TECHNICAL DEPARTMENT FOR APPROPRIATE USE OF THESE PATTERNS.
2. MULE-HIDE INSULATION FASTENERS AND 3" DIAMETER PLATES MUST BE USED FOR INSULATION ATTACHMENT.
3. REFER TO MULE-HIDE WIND UPLIFT RATINGS FOR APPROPRIATE FASTENER DENSITY REQUIRED.
4. FASTENER DENSITY INCREASES BASED ON THE FOLLOWING:
 - 50% FOR PERIMETERS WITH A MINIMUM OF 1 FASTENER EVERY 2 SQUARE FEET NOT TO EXCEED 1 FASTENER EVERY 1 SQUARE FOOT
 - CONSTANT DENSITY OF 1 FASTENER EVERY 1 SQUARE FOOT FOR CORNERS.



FIELD (12)
1 FASTENER PER EVERY 2.66 SQ. FT.



PERIMETER (18)
1 FASTENER PER EVERY 1.77 SQ. FT.



CORNERS (32)
1 FASTENER PER EVERY 1 SQ. FT.

**MULE-HIDE
PRODUCTS CO., INC.**

**FM - 12 FIELD FASTENERS
PER 4' X 8' BOARD PATTERN LAYOUT
SYSTEMS:**

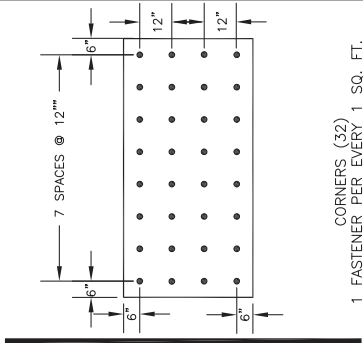
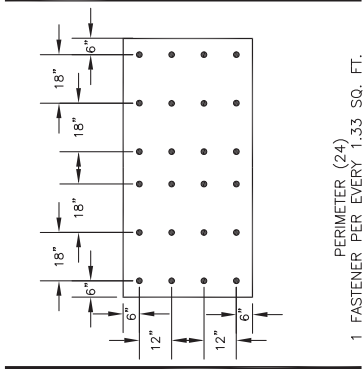
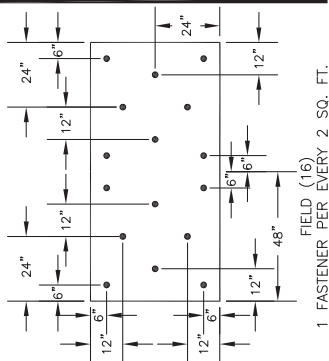
FULLY ADHERED

DETAIL NO.:
MHT-FM-725

REVISION DATE: 06/2015

NOTES:

1. THESE FASTENING PATTERNS ARE TO BE USED WHEN THE PROJECT REQUIRES A FACTORY MUTUAL RATED SYSTEM. CONTACT MULE-HIDE TECHNICAL DEPARTMENT FOR APPROPRIATE USE OF THESE PATTERNS.
2. MULE-HIDE INSULATION FASTENERS AND 3" DIAMETER PLATES MUST BE USED FOR INSULATION ATTACHMENT.
3. REFER TO MULE-HIDE WIND UPLIFT RATINGS FOR APPROPRIATE FASTENER DENSITY REQUIRED.
4. FASTENER DENSITY INCREASES BASED ON THE FOLLOWING:
 - 50% FOR PERIMETERS WITH A MINIMUM OF 1 FASTENER EVERY 2 SQUARE FEET NOT TO EXCEED 1 FASTENER EVERY 1 SQUARE FOOT
 - CONSTANT DENSITY OF 1 FASTENER EVERY 1 SQUARE FOOT FOR CORNERS.



**MULE-HIDE
PRODUCTS CO., INC.**

**FM - 16 FIELD FASTENERS
PER 4' X 8' BOARD PATTERN LAYOUT**

SYSTEMS:

FULLY ADHERED

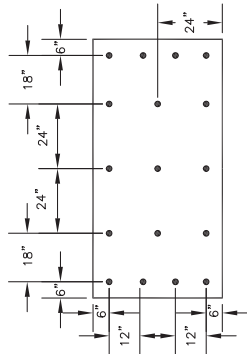
DETAIL NO.:

MHT-FM-726

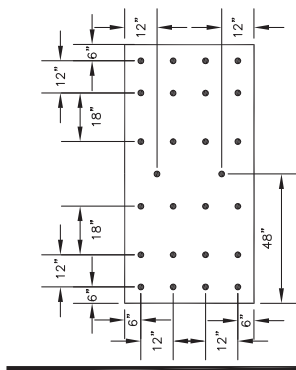
REVISION DATE: 10/2013

NOTES:

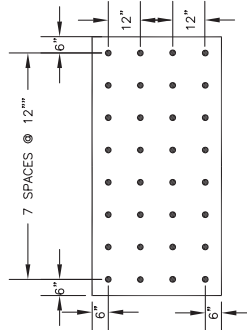
1. THESE FASTENING PATTERNS ARE TO BE USED WHEN THE PROJECT REQUIRES A FACTORY MUTUAL RATED SYSTEM. CONTACT MULE-HIDE TECHNICAL DEPARTMENT FOR APPROPRIATE USE OF THESE PATTERNS.
2. MULE-HIDE INSULATION FASTENERS AND 3" DIAMETER PLATES MUST BE USED FOR INSULATION ATTACHMENT.
3. REFER TO MULE-HIDE WIND UPLIFT RATINGS FOR APPROPRIATE FASTENER DENSITY REQUIRED.
4. FASTENER DENSITY INCREASES BASED ON THE FOLLOWING:
 - 50% FOR PERIMETERS WITH A MINIMUM OF 1 FASTENER EVERY 2 SQUARE FEET NOT TO EXCEED 1 FASTENER EVERY 1 SQUARE FOOT
 - CONSTANT DENSITY OF 1 FASTENER EVERY 1 SQUARE FOOT FOR CORNERS.



FIELD (17)
1 FASTENER PER EVERY 1.88 SQ. FT.



PERIMETER (26)
1 FASTENER PER EVERY 1.23 SQ. FT.



CORNERS (32)
1 FASTENER PER EVERY 1 SQ. FT.

**MULE-HIDE
PRODUCTS CO., INC.**

**FM - 17 FIELD FASTENERS
PER 4' X 8' BOARD PATTERN LAYOUT
SYSTEMS:**

FULLY ADHERED

DETAIL NO.:

MHT-FM-727

REVISION DATE: 10/2013

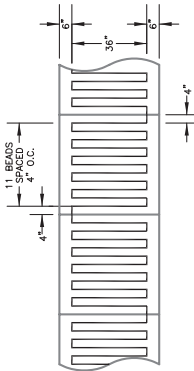


FIGURE 1
INSTALLATION USING 4" O.C.
BEADS ON 4" X 4" BOARDS

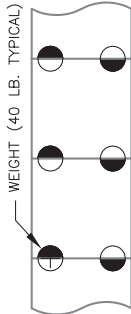


FIGURE 2
RECOMMENDED WEIGHT
PLACEMENT ON 4' X 4' BOARDS

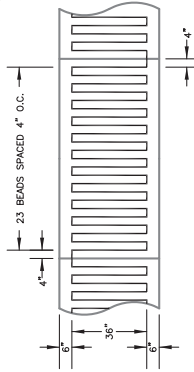


FIGURE 3
INSTALLATION USING 4" O.C.
BEADS ON 4" X 8" BOARDS

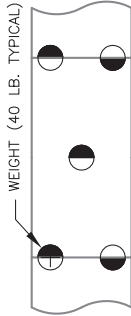


FIGURE 4
RECOMMENDED WEIGHT
PLACEMENT ON 4' X 8' BOARDS

INSULATION TYPE	MAXIMUM BOARD SIZE
HIGH DENSITY WOOD FIBERBOARD	4' X 4'
POLYISOCYANURATE	4' X 4'
EXTRUDED POLYSTYRENE (XPS)	2' X 8'
EXPANDED POLYSTYRENE (EPS)	4' X 4'
DENS. DECK PRIME	4' X 8'
SECURROCK	4' X 8'
ORIENTED STRAND BOARD (OSB)	4' X 8'

COVERAGE RATES	CARTRIDGES*	TANKS
3/4" BEADS 12" O.C.	600 S.F.	3,000 S.F.
3/4" BEADS 6" O.C.	300 S.F.	1,500 S.F.
3/4" BEADS 4" O.C.	200 S.F.	1,000 S.F.

* COVERAGE RATES FOR CARTRIDGES ARE BASED ON CARTON QUANTITIES, 4 CARTRIDGES PER CARTON

**MULE-HIDE
PRODUCTS CO., INC.**

**HELIX FOAM ADHESIVE
4" RIBBON PATTERN
SYSTEMS:
ALL SYSTEMS**

DETAIL NO.:
MHHA-UN-4
REVISION DATE: 03/2017

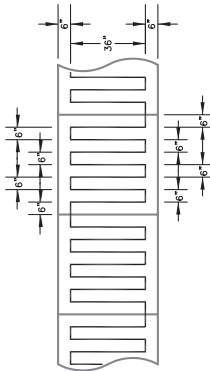


FIGURE 1
INSTALLATION USING 6" O.C.
BEADS ON 4' X 4' BOARDS

WEIGHT (40 LB. TYPICAL)

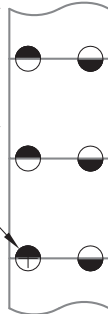


FIGURE 2
RECOMMENDED WEIGHT
PLACEMENT ON 4' X 4' BOARDS

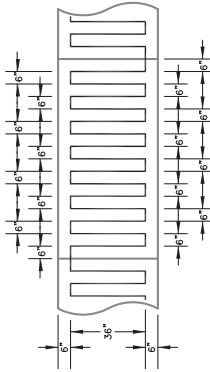


FIGURE 3
INSTALLATION USING 6" O.C.
BEADS ON 4' X 8' BOARDS

WEIGHT (40 LB. TYPICAL)

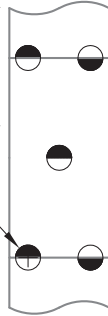


FIGURE 4
RECOMMENDED WEIGHT
PLACEMENT ON 4' X 8' BOARDS

INSULATION TYPE	MAXIMUM BOARD SIZE
HIGH DENSITY WOOD FIBERBOARD	4' X 4'
POLYISOCYANURATE	4' X 4'
EXTRUDED POLYSTYRENE (XPS)	2' X 8'
EXPANDED POLYSTYRENE (EPS)	4' X 4'
DENS. DECK PRIME	4' X 8'
SEUROCK	4' X 8'
ORIENTED STRAND BOARD (OSB)	4' X 8'

COVERAGE RATES	CARTRIDGES*	TANKS
3/4" BEADS 12" O.C.	600 S.F.	3,000 S.F.
3/4" BEADS 6" O.C.	300 S.F.	1,500 S.F.
3/4" BEADS 4" O.C.	200 S.F.	1,000 S.F.

* COVERAGE RATES FOR CARTRIDGES ARE BASED ON CARTON QUANTITIES, 4 CARTRIDGES PER CARTON

HELIX FOAM ADHESIVE
6" RIBBON PATTERN
SYSTEMS:

ALL SYSTEMS

DETAIL NO.:

MHHA-UN-6

REVISION DATE: 03/2017

**MULE-HIDE
PRODUCTS CO., INC.**

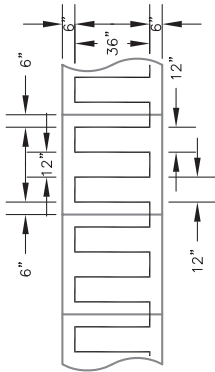


FIGURE 1
INSTALLATION USING 12" O.C.
BEADS ON 4' X 4' BOARDS

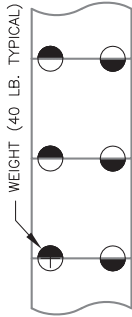


FIGURE 2
RECOMMENDED WEIGHT
PLACEMENT ON 4' X 4' BOARDS

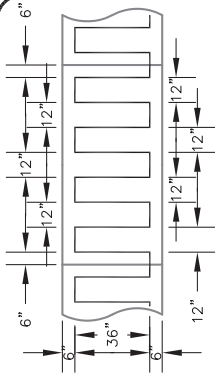


FIGURE 3
INSTALLATION USING 12" O.C.
BEADS ON 4' X 8' BOARDS

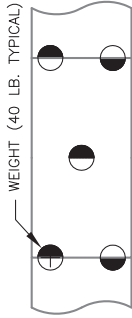


FIGURE 4
RECOMMENDED WEIGHT
PLACEMENT ON 4' X 8' BOARDS

INSULATION TYPE	MAXIMUM BOARD SIZE
HIGH DENSITY WOOD FIBERBOARD	4' X 4'
POLYISOCYANURATE	4' X 4'
EXTRUDED POLYSTYRENE (XPS)	2' X 8'
EXPANDED POLYSTYRENE (EPS)	4' X 4'
DENS DECK PRIME	4' X 8'
SECUROCK	4' X 8'
ORIENTED STRAND BOARD (OSB)	4' X 8'

COVERAGE RATES	CARTRIDGES*	TANKS
3/4" BEADS 12" O.C.	600 S.F.	3,000 S.F.
3/4" BEADS 6" O.C.	300 S.F.	1,500 S.F.
3/4" BEADS 4" O.C.	200 S.F.	1,000 S.F.

* COVERAGE RATES FOR CARTRIDGES ARE BASED ON CARTON QUANTITIES, 4 CARTRIDGES PER CARTON

**MULE-HIDE
PRODUCTS CO., INC.**

**HELIX FOAM ADHESIVE
12" RIBBON PATTERN
SYSTEMS:
ALL SYSTEMS**

DETAIL NO.:
MHHA-UN-12
REVISION DATE: 03/2017



National Support Center • 1195 Prince Hall Drive • Beloit, WI 53511

©2017 • Printed in USA • MH LIT# SP.PGEPDM • Rev. 0 8/17